

IEEE P802.3bs 400GbE Task Force Opening Report

John D'Ambrosia
Independent
Dallas, TX, USA
Nov 9, 2015

IEEE P802.3bs 400GbE Task Force

Project information

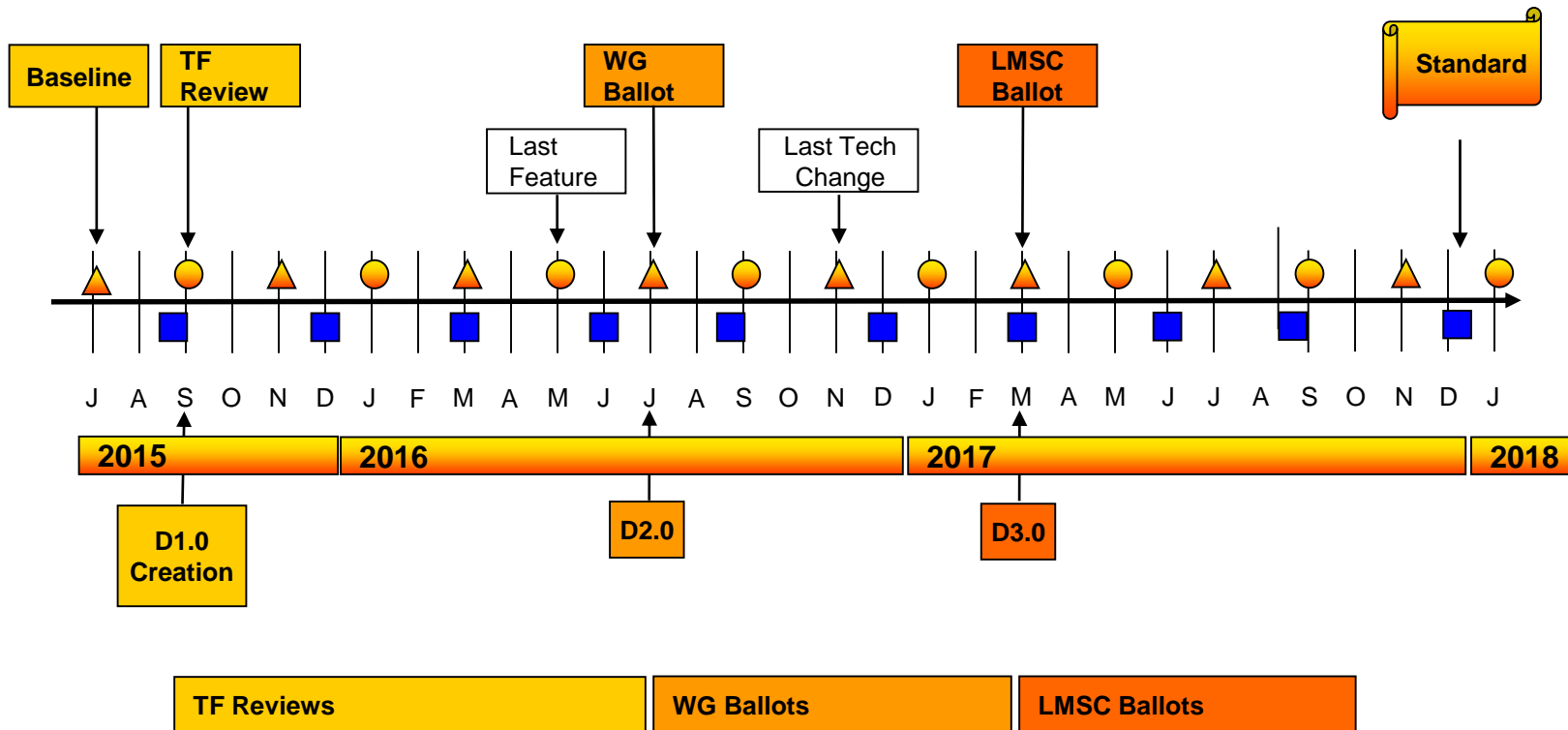
- Task Force Organization
 - John D'Ambrosia, IEEE P802.3bs Task Force Chair
 - Kent Lusted, IEEE P802.3bs Task Force Secretary
 - Pete Anslow, IEEE P802.3bs Task Force Chief Editor, Clauses FM, 00, 1, 4, 30, 45, 78, 116, A, 4A, 31B, 93A, 120B, 120C Editor
 - Mark Gustlin, Clause 117, 118, 119 Editor
 - Jonathan King, Clause 121 Editor
 - Andre Szczepanek, Annexes 120D, 120E
 - Peter Stassar, Clause 122, 123 Editor
 - Steve Trowbridge, Clause 120, 120A Editor
- Task force web and reflector information
 - Reflector information: <http://www.ieee802.org/3/400GSG/reflector.html>
 - Home page: <http://www.ieee802.org/3/bs/index.html>
 - PAR: http://www.ieee802.org/3/bs/PAR_P802.3bs_14_0612.pdf
 - CSD (including 5C): http://www.ieee802.org/3/bs/CSD_400_14_0121.pdf
 - Objectives: http://www.ieee802.org/3/bs/Objectives_14_0320.pdf
 - Approved Timeline http://www.ieee802.org/3/bs/timeline_3bs_0915.pdf
 - Ad Hoc page: <http://www.ieee802.org/3/bs/public/adhoc/index.shtml>

IEEE P802.3bs 400GbE Task Force

Activities since July 15 Plenary

- Met during the Sept 15 interim meeting
 - Thanks to John McDonough and NEC for hosting.
 - 114 Attendees, 23 Presentations
 - Major items discussed, decisions made and actions
 - Approved generation of D1.0 and start of Task Force Review
 - Adopted new timeline
 - Adopted Symbol interleaving from two FEC codewords as basis for forming 16 PCS lanes
 - Adopted nomenclature
 - Informal Communication to OIF, sent D1.0
 - From July Plenary – D1.0 sent to ITU-T
- D1.0 Task Force Comment
 - Opened – Thursday, Sept 17
 - Closed – Sunday, Oct 18
- Multiple Ad hoc meetings (Logic, SMF, Electrical Interface)
 - Logic – Aug 25, Oct 23
 - SMF – Sept 1, Oct 6
 - Electrical Interface – Aug 11, Aug 28, Sept 4, Oct 2, Nov 2

New – IEEE P802.3bs 400GbE Adopted Timeline



Adopted by IEEE P802.3bs 400GbE Task Force, Sept 2015 Interim.

- Legend**
- ▲ IEEE 802 Plenary
 - IEEE 802.3 Interim
 - IEEE-SA Standards Board

D1.0 Comment Summary

Description	Clause(s)	TR	T	ER	E	Total
Front matter, Intro	00, 1, A, FM		3	2	1	6
Management	30, 45	6	14		1	21
Misc	4, 78, 4A, 31B, 93A, 120A		2			2
Intro, RS, PCS, PMA	116, 117, 118, 119, 120	2	40	3	19	64
MMF PMD	121	2	3		2	7
SMFPMDs	122, 123	11	58	1	1	71
CDAUI-16	120B, 120C	5	10			15
CDAUI-8	120D, 120E	20	41	3	11	75
Total comments		46	171	9	35	261

IEEE P802.3bs 400GbE Task Force Meeting Week Plan

- Goals for the meeting
 - Respond to 261 Comments against D1.0
 - 12 Technical Presentations
 - Respond to OIF “Flex-E” Liaison
 - Approve generation of D1.1

Questions?

Thank you!