

Chief Editor's closing report

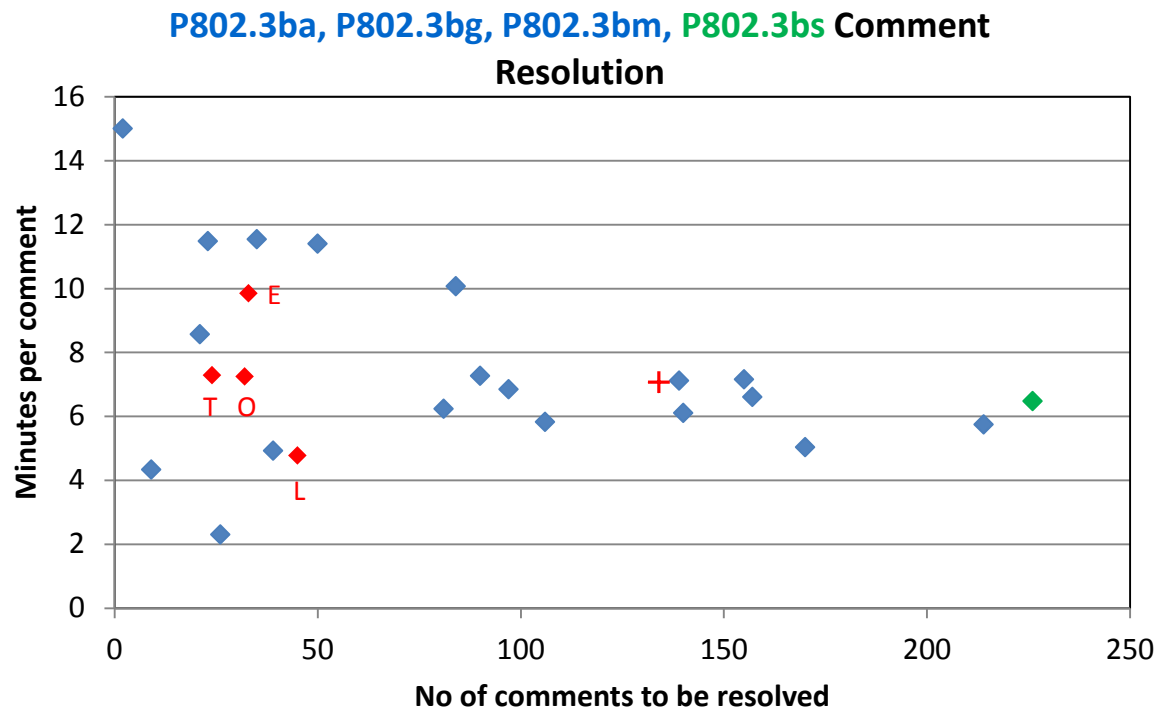
Pete Anslow, Ciena, P802.3bs Chief Editor

IEEE P802.3bs Task Force, Atlanta GA, USA, January 2016

Progress

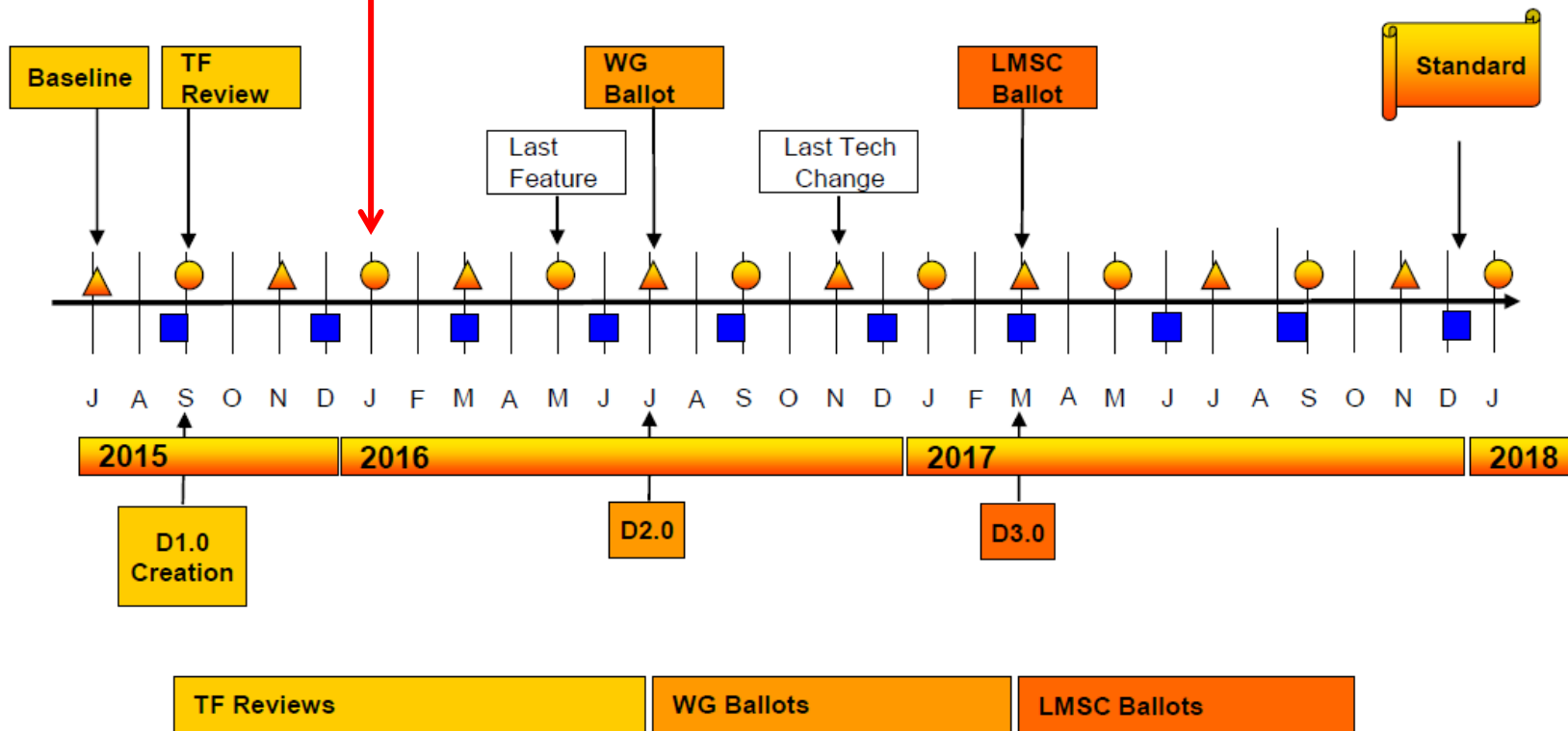
Comment resolution on D 1.1

- All comments resolved
- All associated presentations reviewed
- Thanks to all TF members participating in discussion for rapid resolutions
- Resolution took 15.8 hours => 7.1 minutes per comment (red cross)



Adopted Task Force timeline

We are here



Adopted by IEEE P802.3bs 400GbE Task Force, Sept 2015 Interim.

Legend

- ▲ IEEE 802 Plenary
- IEEE 802.3 Interim
- IEEE-SA Standards Board

Draft review schedule

Third Task Force review proposed to be 20 days.

Dates shown are subject to change

Sep	1	2	3	4	5	6	7	8	9	10	11	12	13	14	15	16	17	18	19	20	21	22	23	24	25	26	27	28	29	30	Sep						
9														Bonita Springs																							
Oct			1	2	3	4	5	6	7	8	9	10	11	12	13	14	15	16	17	18	19	20	21	22	23	24	25	26	27	28	29	30	31	Oct			
10																																					
Nov						1	2	3	4	5	6	7	8	9	10	11	12	13	14	15	16	17	18	19	20	21	22	23	24	25	26	27	28	29	30	Nov	
11																																					
Dec			1	2	3	4	5	6	7	8	9	10	11	12	13	14	15	16	17	18	19	20	21	22	23	24	25	26	27	28	29	30	31	Dec			
12																																					
Jan				1	2	3	4	5	6	7	8	9	10	11	12	13	14	15	16	17	18	19	20	21	22	23	24	25	26	27	28	29	30	31	Jan		
1																																					
Feb	1	2	3	4	5	6	7	8	9	10	11	12	13	14	15	16	17	18	19	20	21	22	23	24	25	26	27	28	29						Feb		
2																																					
Mar		1	2	3	4	5	6	7	8	9	10	11	12	13	14	15	16	17	18	19	20	21	22	23	24	25	26	27	28	29	30	31			Mar		
3																																					

Major items to be resolved

- See track closing reports:
- Logic
 - [gustlin_3bs_05_0116.pdf](#)
- Optical
 - [anslow_3bs_03_0116.pdf](#)
- Electrical
 - [szczepanek_3bs_02_0116](#)

Conditions for moving to Working Group ballot

2.8.2 Draft Standard Balloting Requirements

Before a draft is submitted to WG letter ballot it shall in addition have met the following requirements:

- a) **It must be complete with no open technical issues.**
- b) It must be made available for pre-view by the membership by the Monday prior to the plenary week. If any changes are made to the draft after the draft was made available for pre-view the textual changes shall be presented for review during the closing plenary immediately prior to the vote for approval to go to WG ballot.
- c) It must be formatted according to the IEEE style selected by the WG Chair. This style will be selected to minimize the editorial work required for publication of the draft.
- d) It must be approved for submittal to WG ballot at the WG closing plenary.

Clause status

Clause	Content	Baseline
116	Introduction to 400 Gb/s networks	TBDs
117	RS and MII for 400 Gb/s operation	Delay
118	CDMII extender (includes CDXS)	Content needed
119	PCS including FEC	TBDs
120	PMA	TBDs
121	400GBASE-SR16	Delay, Skew, Hazard
122	400GBASE-DR4	TBDs
123	400GBASE-FR8, 400GBASE-LR8	TBDs
120A	Partitioning examples (informative)	
120B	CDAUI-16 chip-to-chip (normative)	Technically complete
120C	CDAUI-16 chip-to-module (normative)	Technically complete
120D	CDAUI-8 chip-to-chip (normative)	TBDs
120E	CDAUI-8 chip-to-module (normative)	TBDs

Thanks!