

IEEE P802.3bs 400GbE Task Force Opening Report

John D'Ambrosia
Futurewei, Subsidiary of Huawei
Macau, China
Mar 14, 2016

IEEE P802.3bs 400GbE Task Force

Project information

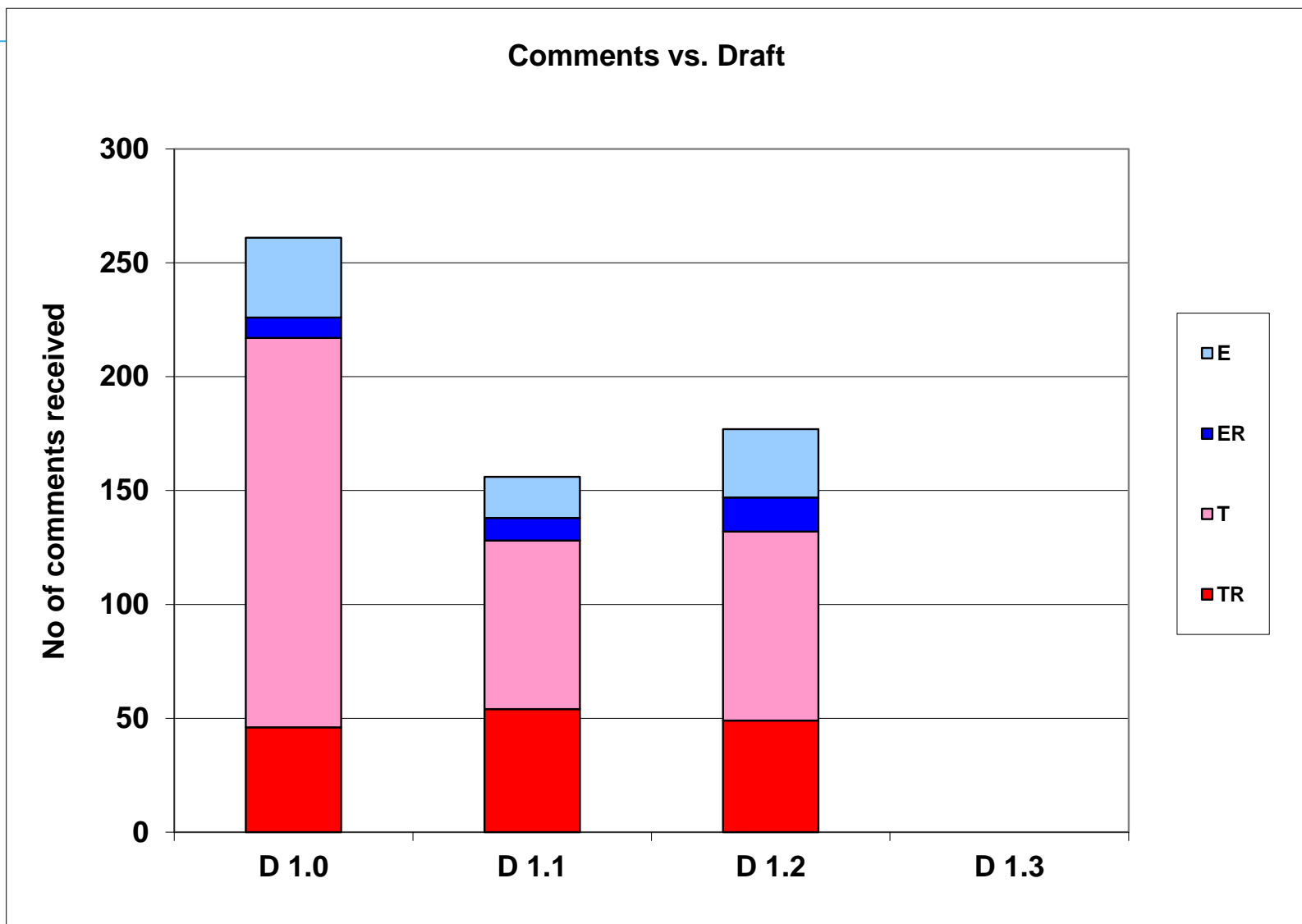
- Task Force Organization
 - John D'Ambrosia, IEEE P802.3bs Task Force Chair
 - Pete Anslow, IEEE P802.3bs Task Force Chief Editor, Clauses FM, 00, 1, 4, 30, 45, 78, 116, A, 4A, 31B, 93A, 120B, 120C Editor
 - Mark Gustlin, Clause 117, 118, 119 Editor
 - Jonathan King, Clause 121 Editor
 - Andre Szczepanek, Annexes 120D, 120E
 - Peter Stassar, Clause 122, 123 Editor
 - Steve Trowbridge, Clause 120, 120A Editor
- Task force web and reflector information
 - Reflector information: <http://www.ieee802.org/3/400GSG/reflector.html>
 - Home page: <http://www.ieee802.org/3/bs/index.html>
 - PAR: http://www.ieee802.org/3/bs/PAR_P802.3bs_14_0612.pdf
 - CSD (including 5C): http://www.ieee802.org/3/bs/CSD_400_14_0121.pdf
 - Objectives: http://www.ieee802.org/3/bs/Objectives_14_0320.pdf
 - Approved Timeline http://www.ieee802.org/3/bs/timeline_3bs_0915.pdf
 - Ad Hoc page: <http://www.ieee802.org/3/bs/public/adhoc/index.shtml>

IEEE P802.3bs 400GbE Task Force

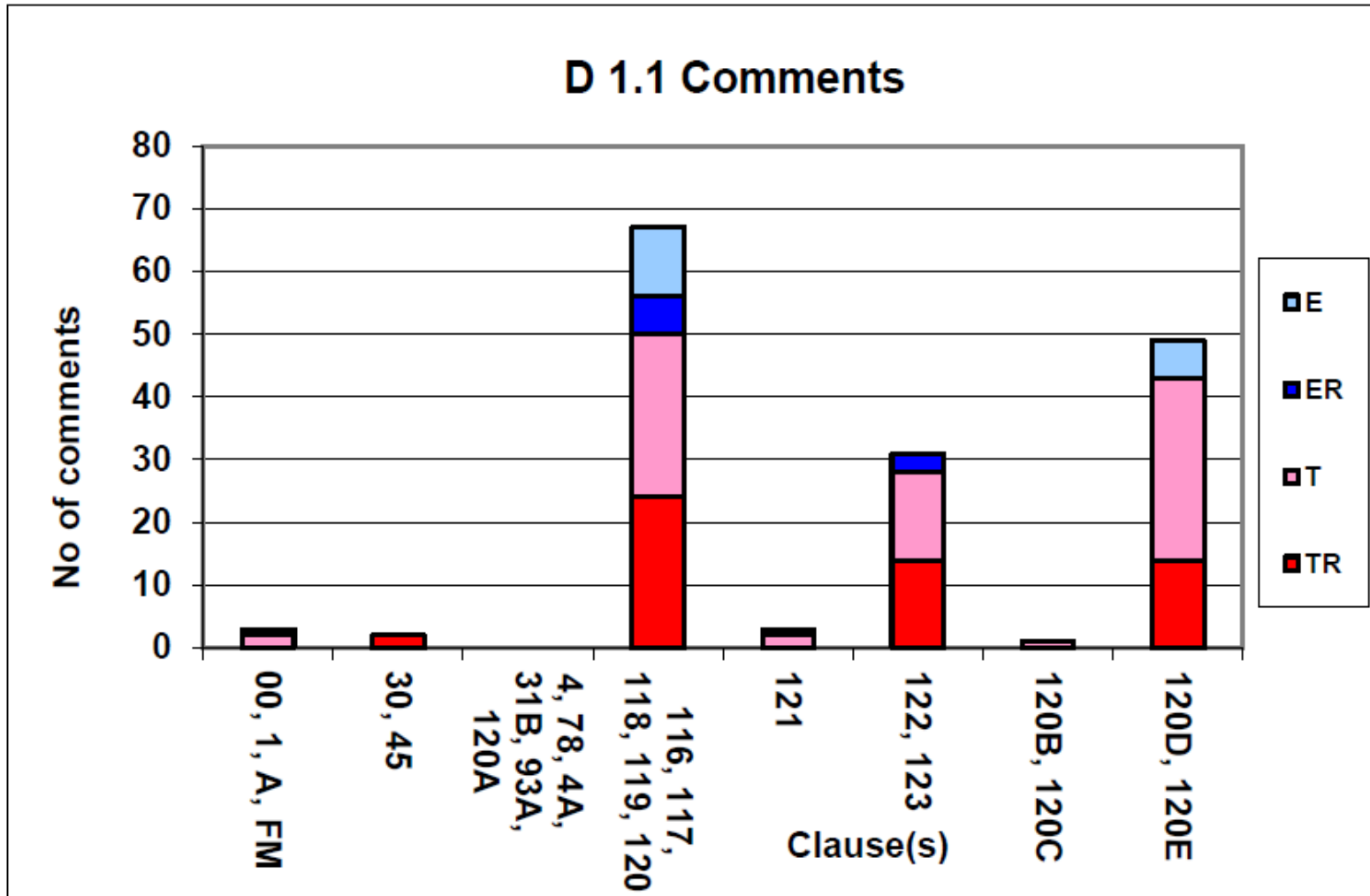
Activities since Nov 15 Plenary

- D1.1 Task Force Comment
 - Opened – Dec 1, 2015
 - Closed – Dec 20, 2015
 - Results – 156 Comments (see next slides)
- Met during the Jan 16 interim meeting
 - Thanks to IEEE 802 for hosting.
 - 115 Attendees, 23 Presentations
 - Joint session with NGOATH SG to discuss status of proposed PAR changes to 802.3bs
 - Major items discussed, decisions made and actions
- D1.2 Task Force Comment
 - Opened – Feb 6, 2015
 - Closed – Feb 25, 2015
 - Results – 177 Comments (See next slides)
- Multiple Ad hoc meetings (Logic, SMF, Electrical Interface)
 - Logic – 12/11, 2/9, 2/23
 - SMF – 12/1, 12/15, 1/7, 2/2, 2/16, 3/1
 - MMF – 12/18, 2/11
 - Electrical Interface – 11/30, 12/7, 12/14, 12/21, 1/11, 2/1, 2/8, 2/22, 2/29,

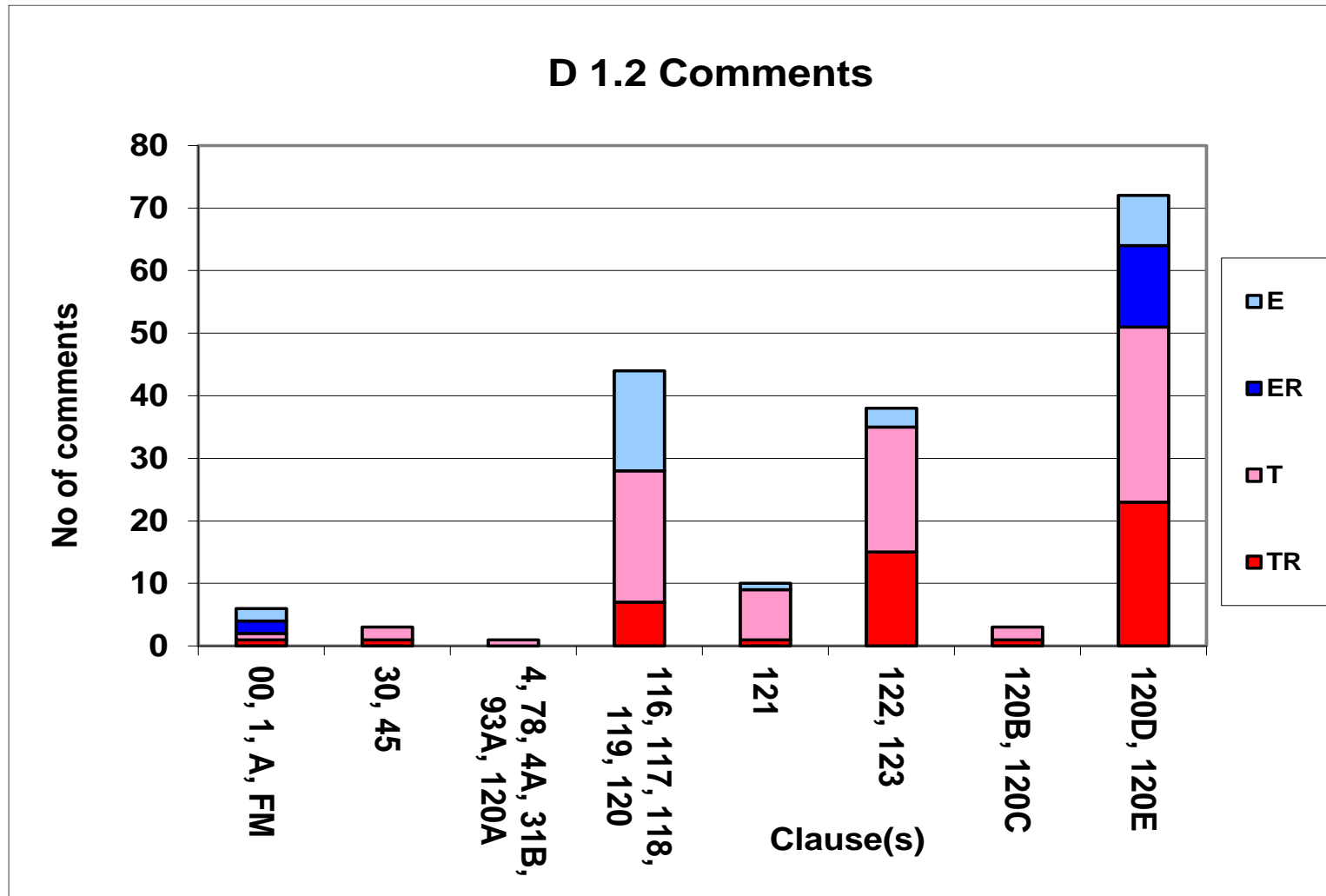
Comment history



D1.1 Comment Distribution

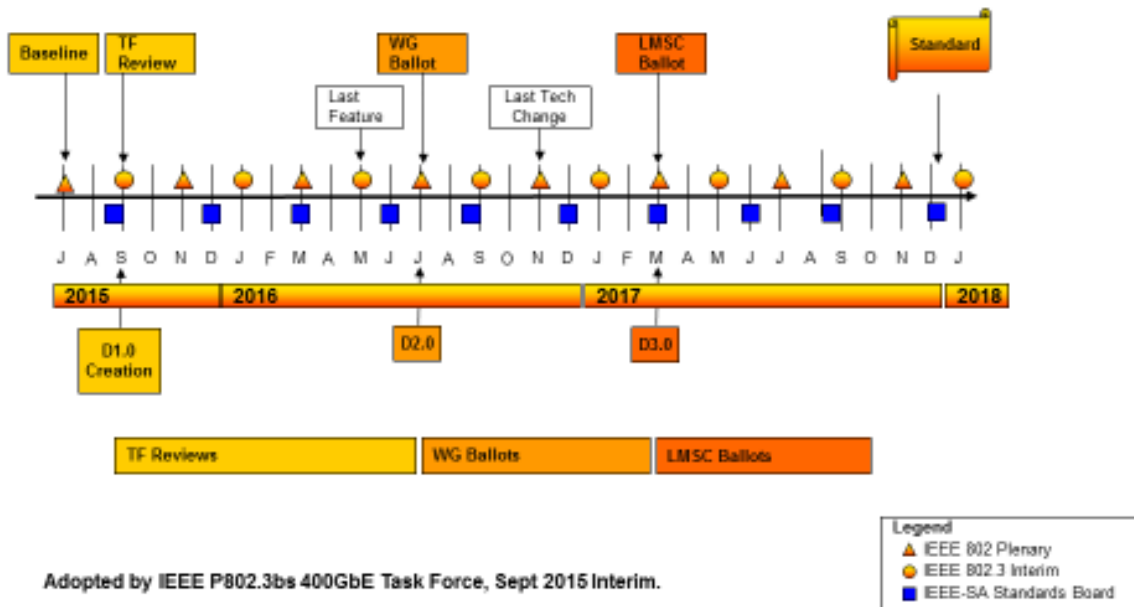


D1.2 Comment distribution



Impact of 200GbE SMF

IEEE P802.3bs 400GbE Adopted Timeline



Target “no schedule hit”

Assumption of March
PAR Modification
Request

PAR modification approval
– anticipate May 16 final
approval

Assumption -

Consensus on re-use of
400GbE technologies

– Need June 27 – 28
Interim, create D1.5

Option #2 is doable but
**“A MATTER OF
CONSENSUS”**

Also – need to achieve
technically complete
document for 400GbE out
of May

Strawpoll #2 – Jan Interim

- I would support :
 - the proposed P802.3bs PAR modifications per nowell_3bs_01_0116 and dambrosia_3bs_02_0116
 - the proposed changes to the P802.3bs CSD responses and objectives per nowell_3bs_01_0116
- Yes: 50
- No: 0
- Abstain: 2

IEEE P802.3bs 400GbE Task Force Meeting Week Plan

- Goals for the meeting
 - Respond to 177 Comments against D1.2
 - See Chief Editor's Report (anslow_3bs_01_0316) for plan to address comments
 - BTI's Transmitter and Dispersion Penalty (TDP) and Stressed Receiver Sensitivity
 - 14 Technical Presentations
 - Consider two proposed liaisons
 - To IEC 86B WG6 (kolesar_3bs_01_0316)
 - To TIA TR-42.13 (kolesar_3bs_02_0316)
 - Meeting Thursday after NGOATH SG to consider any significant changes to proposed 802.3bs PAR modification
 - Approve generation of D1.3

Meeting Map

All times and order listed are subject to change.

Check with track chairs for times.

	Mon			Tues			Wed			Thurs		Fri
8:00			802.3by**									
8:30												
9:00												
9:30												
10:00	802.3 Opening			802.3bs Logic*	802.3bs Optics*	802.3bs Electrical Interface*	802.3bs**	50G NGOATH**		802.3bs***	50G NGOATH**	
10:30												
11:00												
11:30												
12:00	Lunch			Lunch			Lunch			Lunch		Lunch
12:30	Lunch			Lunch			Lunch			Lunch		Lunch
13:00	802.3bs	25G SMF**	802.3by**	802.3bs			50G NGOATH**	50G NGOATH**	25G SMF**	802.3 Closing		802 EC
13:30												
14:00												
14:30												
15:00												
15:30												
16:00												
16:30												
17:00												
17:30	Dinner			Dinner								
18:00												
18:30				CFI - Ethernet YANG Models			IEEE 802 Social					
19:00	ECDC #1											
19:30												
20:00		ECDC #2										
20:30												
21:00												
21:30												

* - times to be announced by respective chair / track chair

** - times to be announced by respective SG / TF Chair

*** - to start following close of 50G/NGOATH Meeting

Questions?

Thank you!