

Chief Editor's closing report

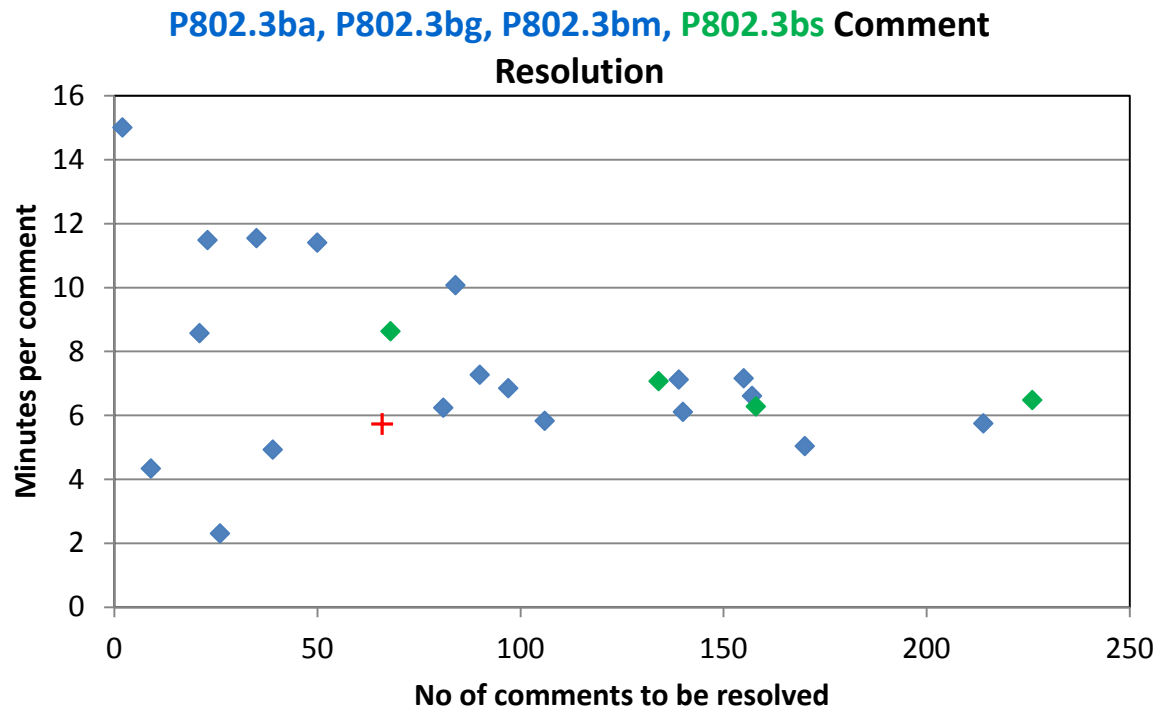
Pete Anslow, Ciena, P802.3bs Chief Editor

IEEE P802.3bs Task Force, Piscataway, NJ, June 2016

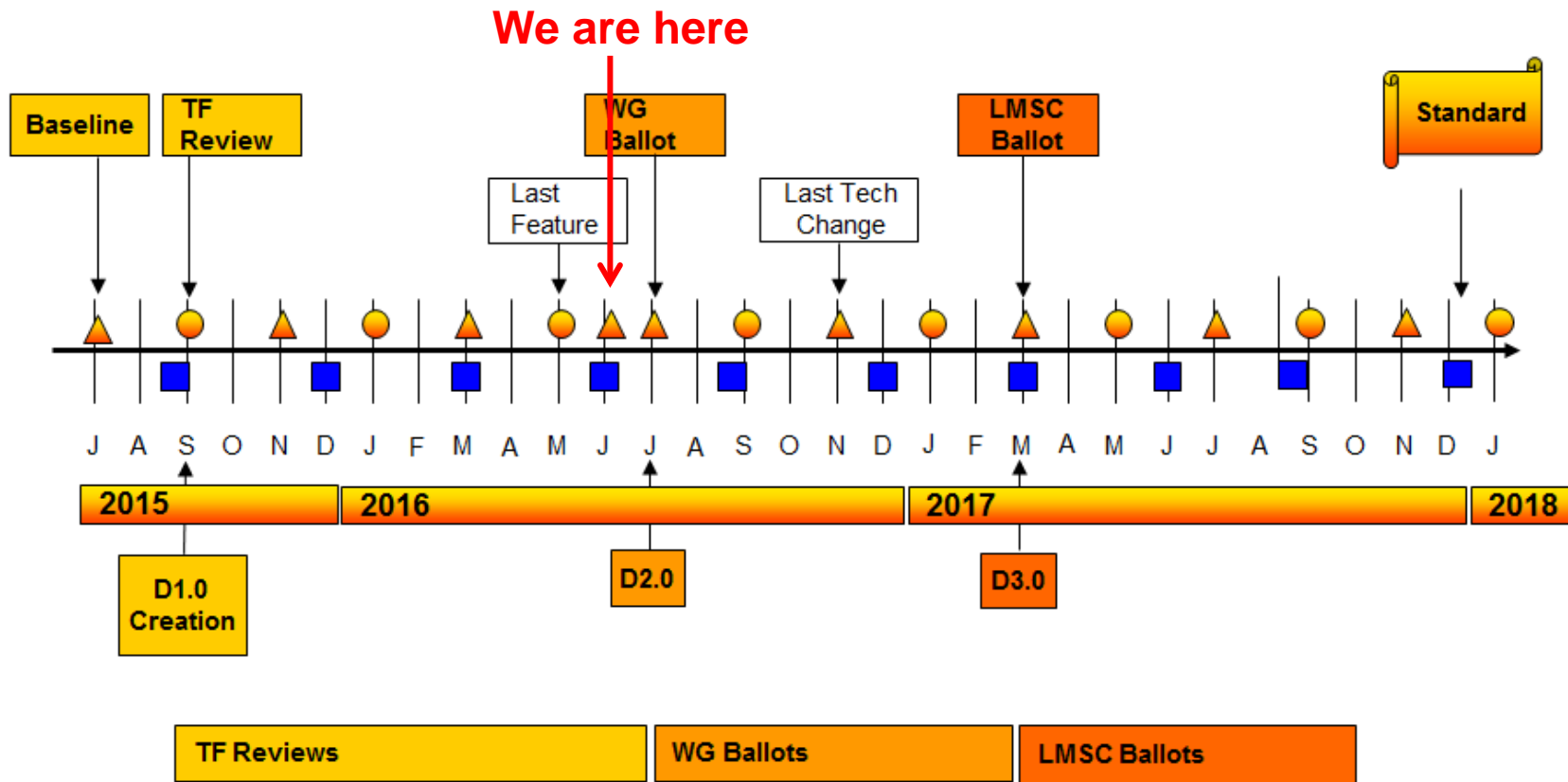
Progress

Comment resolution on D 1.4

- All comments resolved
- All associated presentations reviewed
- Thanks to all TF members participating in discussion for rapid resolutions
- Resolution took 6.3 hours => 5.7 minutes per comment (red cross)



Adopted Task Force timeline



Adopted by IEEE P802.3bs 400GbE Task Force, Sept 2015 Interim.

Legend

- ▲ IEEE 802 Plenary
- IEEE 802.3 Interim
- IEEE-SA Standards Board

Draft review schedule

Sixth Task Force review proposed to be 15 days.

Dates shown are subject to change

| | Mon | Tue | Wed | Thu | Fri | Sat | Sun | Mon | Tue | Wed | Thu | Fri | Sat | Sun | Mon | Tue | Wed | Thu | Fri | Sat | Sun | Mon | Tue | Wed | Thu | Fri | Sat | Sun | Mon | Tue | | | | | | | | | | | | | | | | | |
|------------|-----|-----|-----|-----|-----|-------------------------|-----|-----|-----|-----|-----|-----|-----|-----|--------------|-----|-----|-----|-----|-----|-----|-------------------------|-----|-----|-----|-----|-----|-----|-----------------|-----|----|----|----|----|----|----|--|------------|------------|--|--|--|--|--|--|--|--|
| Jan | | | | | 1 | 2 | 3 | 4 | 5 | 6 | 7 | 8 | 9 | 10 | 11 | 12 | 13 | 14 | 15 | 16 | 17 | 18 | 19 | 20 | 21 | 22 | 23 | 24 | 25 | 26 | 27 | 28 | 29 | 30 | 31 | | | Jan | | | | | | | | | |
| 1 | | | | | | | | | | | | | | | | | | | | | | Atlanta | | | | | | | | | | | | | | | | | | | | | | | | | |
| Feb | 1 | 2 | 3 | 4 | 5 | 6 | 7 | 8 | 9 | 10 | 11 | 12 | 13 | 14 | 15 | 16 | 17 | 18 | 19 | 20 | 21 | 22 | 23 | 24 | 25 | 26 | 27 | 28 | 29 | | | | | | | | | Feb | | | | | | | | | |
| 2 | | | | | | Draft 1.2 review | | | | | | | | | | | | | | | | | | | | | | | | | | | | | | | | | | | | | | | | | |
| Mar | | 1 | 2 | 3 | 4 | 5 | 6 | 7 | 8 | 9 | 10 | 11 | 12 | 13 | 14 | 15 | 16 | 17 | 18 | 19 | 20 | 21 | 22 | 23 | 24 | 25 | 26 | 27 | 28 | 29 | 30 | 31 | | | | | | Mar | | | | | | | | | |
| 3 | | | | | | | | | | | | | | | Macau | | | | | | | | | | | | | | | | | | | | | | | | | | | | | | | | |
| Apr | | | | | 1 | 2 | 3 | 4 | 5 | 6 | 7 | 8 | 9 | 10 | 11 | 12 | 13 | 14 | 15 | 16 | 17 | 18 | 19 | 20 | 21 | 22 | 23 | 24 | 25 | 26 | 27 | 28 | 29 | 30 | | | | Apr | | | | | | | | | |
| 4 | | | | | | | | | | | | | | | | | | | | | | Draft 1.3 review | | | | | | | | | | | | | | | | | | | | | | | | | |
| May | | | | | | 1 | 2 | 3 | 4 | 5 | 6 | 7 | 8 | 9 | 10 | 11 | 12 | 13 | 14 | 15 | 16 | 17 | 18 | 19 | 20 | 21 | 22 | 23 | 24 | 25 | 26 | 27 | 28 | 29 | 30 | 31 | | | May | | | | | | | | |
| 5 | | | | | | | | | | | | | | | | | | | | | | | | | | | | | Whistler | | | | | | | | | | | | | | | | | | |
| Jun | | | 1 | 2 | 3 | 4 | 5 | 6 | 7 | 8 | 9 | 10 | 11 | 12 | 13 | 14 | 15 | 16 | 17 | 18 | 19 | 20 | 21 | 22 | 23 | 24 | 25 | 26 | 27 | 28 | 29 | 30 | | | | | | Jun | | | | | | | | | |
| 6 | | | | | | | | | | | | | | | | | | | | | | | | | | | | | | | | | | | | | | | | | | | | | | | |
| Jul | | | | | 1 | 2 | 3 | 4 | 5 | 6 | 7 | 8 | 9 | 10 | 11 | 12 | 13 | 14 | 15 | 16 | 17 | 18 | 19 | 20 | 21 | 22 | 23 | 24 | 25 | 26 | 27 | 28 | 29 | 30 | 31 | | | Jul | | | | | | | | | |
| 7 | | | | | | | | | | | | | | | | | | | | | | | | | | | | | | | | | | | | | | | | | | | | | | | |
| | | | | | | | | | | | | | | | | | | | | | | | | | | | | | | | | | | | | | | | | | | | | | | | |

Conditions for moving to Working Group ballot

2.8.2 Draft Standard Balloting Requirements

Before a draft is submitted to WG letter ballot it shall in addition have met the following requirements:

- a) **It must be complete with no open technical issues.**
- b) It must be made available for pre-view by the membership by the Monday prior to the plenary week. If any changes are made to the draft after the draft was made available for pre-view the textual changes shall be presented for review during the closing plenary immediately prior to the vote for approval to go to WG ballot.
- c) It must be formatted according to the IEEE style selected by the WG Chair. This style will be selected to minimize the editorial work required for publication of the draft.
- d) It must be approved for submittal to WG ballot at the WG closing plenary.

Clause status

| Clause | Content | Baseline |
|--------|---|----------------------|
| 116 | Introduction to 200 Gb/s and 400 Gb/s networks | Technically complete |
| 117 | RS and MII for 200 Gb/s and 400 Gb/s operation | Technically complete |
| 118 | CCMII and CDMII extender (includes CCXS and CDXS) | Technically complete |
| 119 | PCS type 200GBASE-R and 400GBASE-R | Technically complete |
| 120 | PMA type 200GBASE-R and 400GBASE-R | Technically complete |
| 121 | PMD type 200GBASE-DR4 | Technically complete |
| 122 | PMD type 200GBASE-FR4, 200GBASE-LR4, 400GBASE-FR8, and 400GBASE-LR8 | Technically complete |
| 123 | PMD type 400GBASE-SR16 | Technically complete |
| 124 | PMD type 400GBASE-DR4 | Technically complete |
| 119A | 200GBASE-R and 400GBASE-R codeword examples | |
| 120A | Partitioning examples (informative) | |
| 120B | CCAUI-8 and CDAUI-16 chip-to-chip (normative) | Technically complete |
| 120C | CCAUI-8 and CDAUI-16 chip-to-module (normative) | Technically complete |
| 120D | CCAUI-4 and CDAUI-8 chip-to-chip (normative) | Technically complete |
| 120E | CCAUI-4 and CDAUI-8 chip-to-module (normative) | Technically complete |

Motion from the Whistler meeting

Motion #4 Move:

- Use existing roman numeral based nomenclature (i.e. CC or CD) for generation of Draft 1.4
- Pre-submit Draft 1.5, with nomenclature based on Roman numbers, for consideration to proceed to WG Ballot
- Direct editorial team to create two “candidate” versions of Draft 2.0, one version with nomenclature based on Roman numbers and one version based on Arabic numbers.
- Discuss nomenclature @ July 2016 IEEE 802 Plenary and resolve which “candidate” version (nomenclature is based on Roman or Arabic numbers), and present the selected version for consideration to proceed to go to WG Ballot

Yes: 53, No: 0, Abstain: 0

Candidate non Roman numeral related names

As noted on the 15 June TF Ad Hoc call, the nomenclature that the editors will use for the non-Roman “candidate” version of Draft 2.0 is:

200GMII for the ***200 Gb/s Media Independent Interface (and Extender)***

200GXS for the ***200 Gb/s Extender Sublayer***

200GAUI-n for the ***200 Gb/s Attachment Unit Interface***

200GAUI-4 for the ***200 Gb/s four-lane Attachment Unit Interface***

200GAUI-8 for the ***200 Gb/s eight-lane Attachment Unit Interface***

400GMII for the ***400 Gb/s Media Independent Interface (and Extender)***

400GXS for the ***400 Gb/s Extender Sublayer***

400GAUI-n for the ***400 Gb/s Attachment Unit Interface***

400GAUI-8 for the ***400 Gb/s eight-lane Attachment Unit Interface***

400GAUI-16 for the ***400 Gb/s sixteen-lane Attachment Unit Interface***

Thanks!