

IEEE P802.3bs  
200GbE and 400GbE  
Task Force  
Opening Report

John D'Ambrosia  
Futurewei, Subsidiary of Huawei  
San Diego, CA, USA  
July 25, 2016

# IEEE P802.3bs Task Force

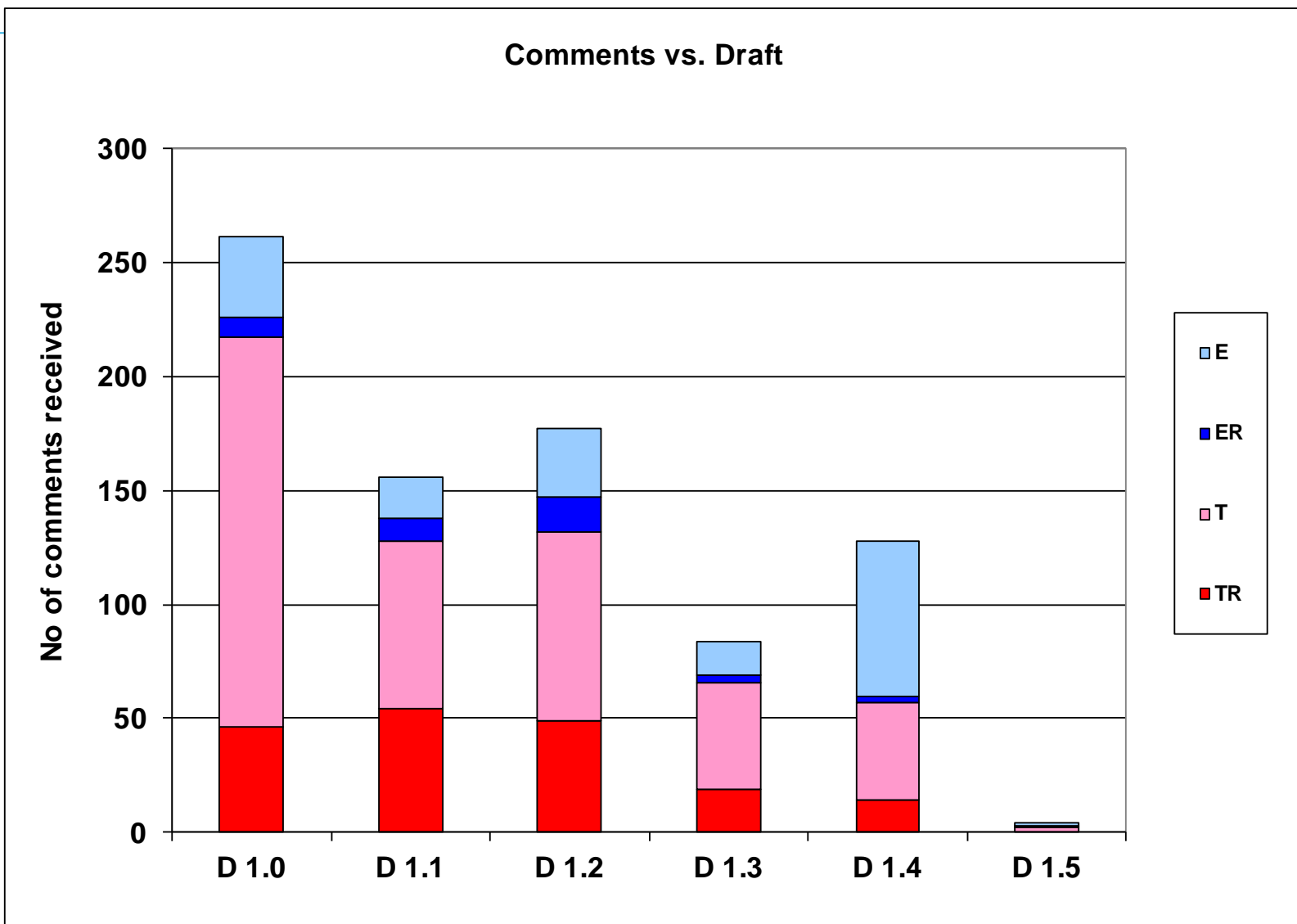
## Project information

---

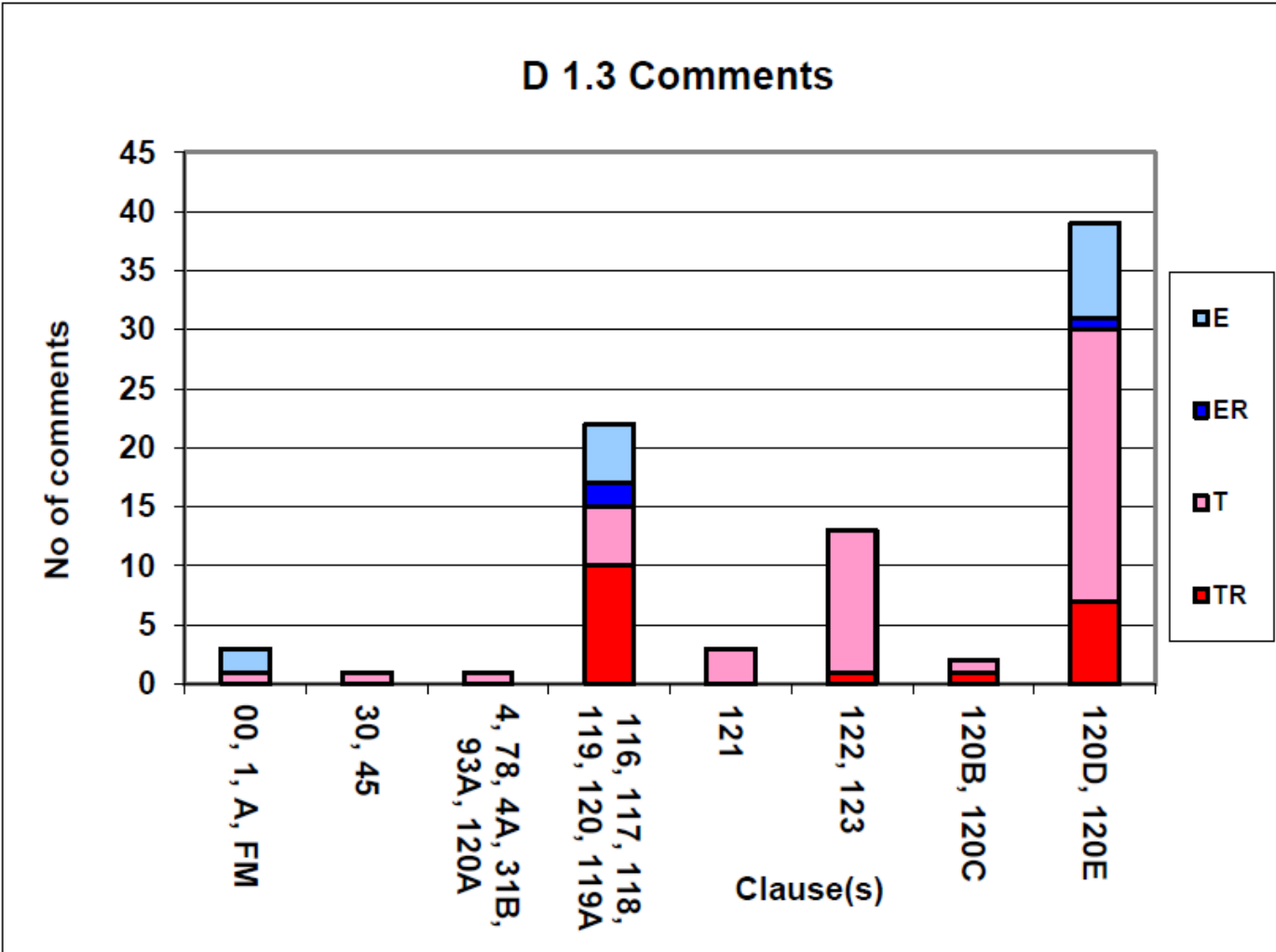
- Task Force Organization
  - John D'Ambrosia, IEEE P802.3bs Task Force Chair
  - Pete Anslow, IEEE P802.3bs Task Force Chief Editor, Clauses FM, 00, 1, 4, 30, 45, 78, 116, A, 4A, 31B, 93A, 120B, 120C Editor
  - Mark Gustlin, Clause 117, 118, 119 Editor
  - Jonathan King, Clause 121 Editor
  - Andre Szczepanek, Annexes 120D, 120E
  - Peter Stassar, Clause 122, 123 Editor
  - Steve Trowbridge, Clause 120, 120A Editor
- Task force web and reflector information
  - Reflector: <http://www.ieee802.org/3/400GSG/reflector.html>
  - Home page: <http://www.ieee802.org/3/bs/index.html>
    - PAR: [http://www.ieee802.org/3/bs/PAR\\_P802.3bs\\_16\\_0516.pdf](http://www.ieee802.org/3/bs/PAR_P802.3bs_16_0516.pdf)
    - CSD: <https://mentor.ieee.org/802-ec/dcn/16/ec-16-0057-00-ACSD-802-3bs.pdf>
    - Objectives: [http://www.ieee802.org/3/bs/Objectives\\_16\\_0317.pdf](http://www.ieee802.org/3/bs/Objectives_16_0317.pdf)
    - Timeline [http://www.ieee802.org/3/bs/timeline\\_3bs\\_0915.pdf](http://www.ieee802.org/3/bs/timeline_3bs_0915.pdf)
  - Ad Hoc page <http://www.ieee802.org/3/bs/public/adhoc/index.shtml>



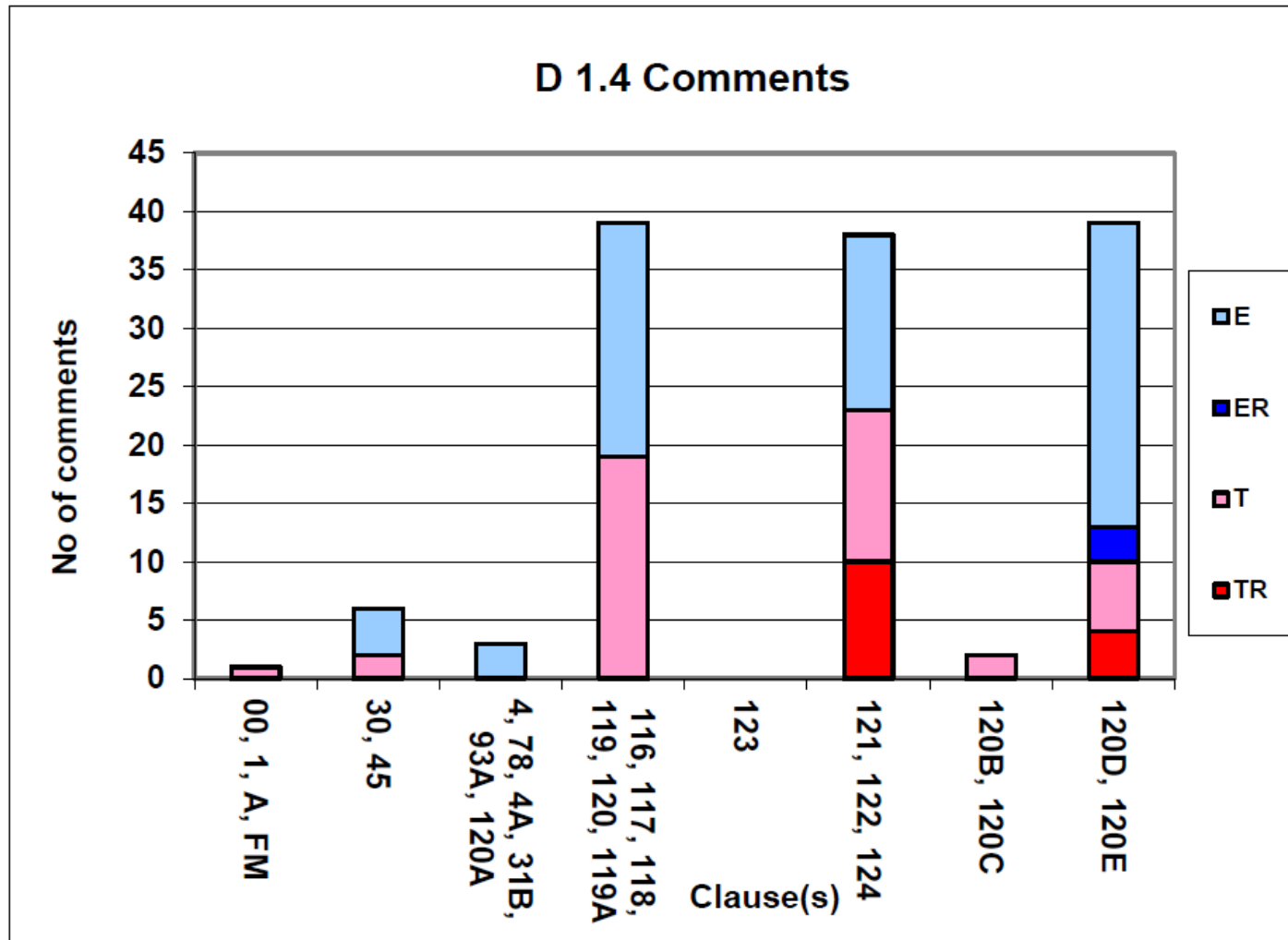
# Comment history



# D1.3 Comment Distribution



# D1.4 Comment Distribution



# D1.5 Comment distribution

Description	Clause(s)	TR	T	ER	E	Total
Front matter, Intro	00, 1, A, FM			1		1
Management	30, 45					0
Misc	4, 78, 4A, 31B, 90, 93A, 120A					0
Intro, RS, PCS, PMA	116, 117, 118, 119, 120, 119A		1			1
MMF PMD	123					0
SMF PMDs	121, 122, 124					0
CCAUI-8, CDAUI-16	120B, 120C					0
CCAUI-4, CDAUI-8	120D, 120E		1		1	2
Total comments		0	2	1	1	4

# May Interim Summary 1

---

- Strawpoll #3, Results (y/n/a) 55 / 1 / 0
  - A consistent nomenclature (e.g. CCMII / CDMII or 200GMII / 400GMII, CCAUI / CDAUI or 200GAUI / 400GAUI, etc) should be selected for implementation in IEEE P802.3bs.
- Motion #4, Results (y/n/a) 53 / 0 / 0
  - Move:
    - Use existing roman numeral based nomenclature (i.e. CC or CD) for generation of Draft 1.4
    - Pre-submit Draft 1.5, with nomenclature based on Roman numbers, for consideration to proceed to WG Ballot
    - Direct editorial team to create two “candidate” versions of Draft 2.0, one version with nomenclature based on Roman numbers and one version based on Arabic numbers.
    - Discuss nomenclature @ July 2016 IEEE 802 Plenary and resolve which “candidate” version (nomenclature is based on Roman or Arabic numbers), and present the selected version for consideration to proceed to go to WG Ballot



# May Interim Summary 2

---

- 200 GbE Baselines Adopted (Passed by voice votes without objection)
  - Motion #5: Move to adopt gustlin\_3bs\_03\_0516.pdf as the baseline proposal for the “logic” sublayers to support 200 GbE operation
  - Motion #6: Move to adopt li\_3bs\_01\_0516.pdf as the baseline proposal for the chip-to-chip and chip-to-module interfaces objective for 200GbE
  - Motion #7: Move to adopt welch\_3bs\_01a\_0516.pdf as the baseline proposal for the 200 GbE 500m of 4-lane parallel SMF objective
  - Motion #8: Move to adopt cole\_3bs\_03\_0516.pdf as the baseline proposals for
    - the 200 GbE 2 km of SMF objective
    - the 200 GbE 10 km of SMF objective

# May Interim Summary 3

---

- **Motion #9** (Passed by voice vote without objection)
  - Move to:
    - Adopt remaining proposed responses to “bucket” comments detailed on Slide 12 of [anslow\\_3bs\\_01a\\_0516.pdf](#)
    - Generate Draft 1.4 for Task Force review from Draft 1.3, closed comments, and adopted baselines for 200 GbE
    - Editors are granted license when implementing the adopted 200 GbE baselines to keep consistent with any changes noted above to D1.3

# June Interim Summary

---

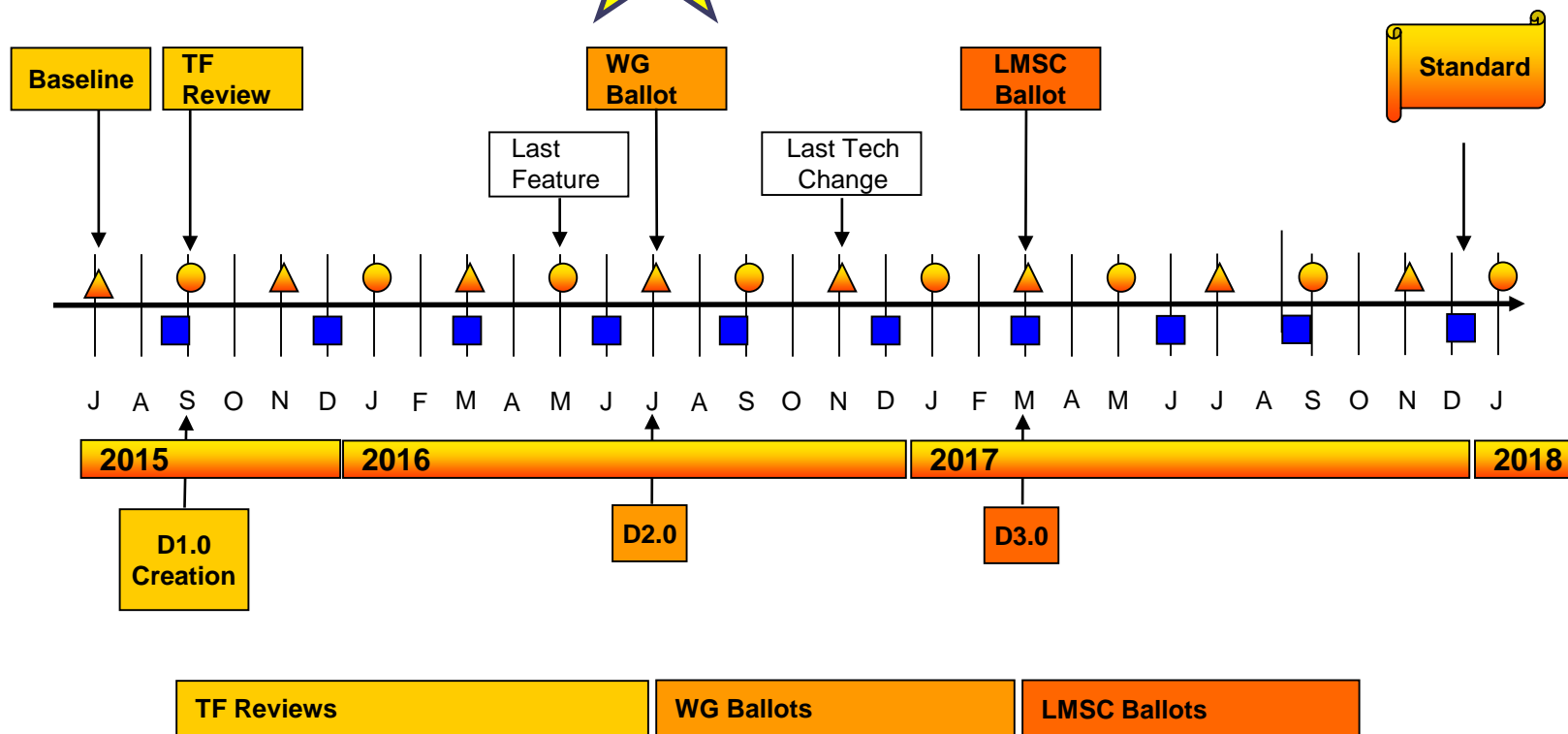
- **Motion #3** (Passed by voice vote without objection)
  - Move to:
    - Adopt remaining proposed responses to “bucket” comments detailed on Slide 10 of `anslow_3bs_01_0616.pdf`
    - Generate Draft 1.5 for Task Force review from Draft 1.4 and closed comments
    - Pre-submit Draft 1.5 to IEEE 802.3 for consideration for advancement to WG Ballot in July 2016.

# IEEE P802.3bs 400GbE Task Force Goals For The Week

---

- Respond to 4 Comments against D1.5
  - Resolve May 2016 Interim – Motion #4, Nomenclature
- Liaisons & Communications
  - Consideration of liaison to TIA TR-42.13
  - Liaison from OIF- Status CEI-56 Projects
  - Liaison to ITU-T (Q6 and Q11) – IEEE P802.3bs D2.0
- Approve generation of D2.0
- Request to 802.3 to proceed to WG Ballot

# IEEE P802.3bs 400GbE Adopted Timeline



Adopted by IEEE P802.3bs 400GbE Task Force, Sept 2015 Interim.

**Legend**

- ▲ IEEE 802 Plenary
- IEEE 802.3 Interim
- IEEE-SA Standards Board

# Questions?

---

# Thank you!