

Chief Editor's closing report

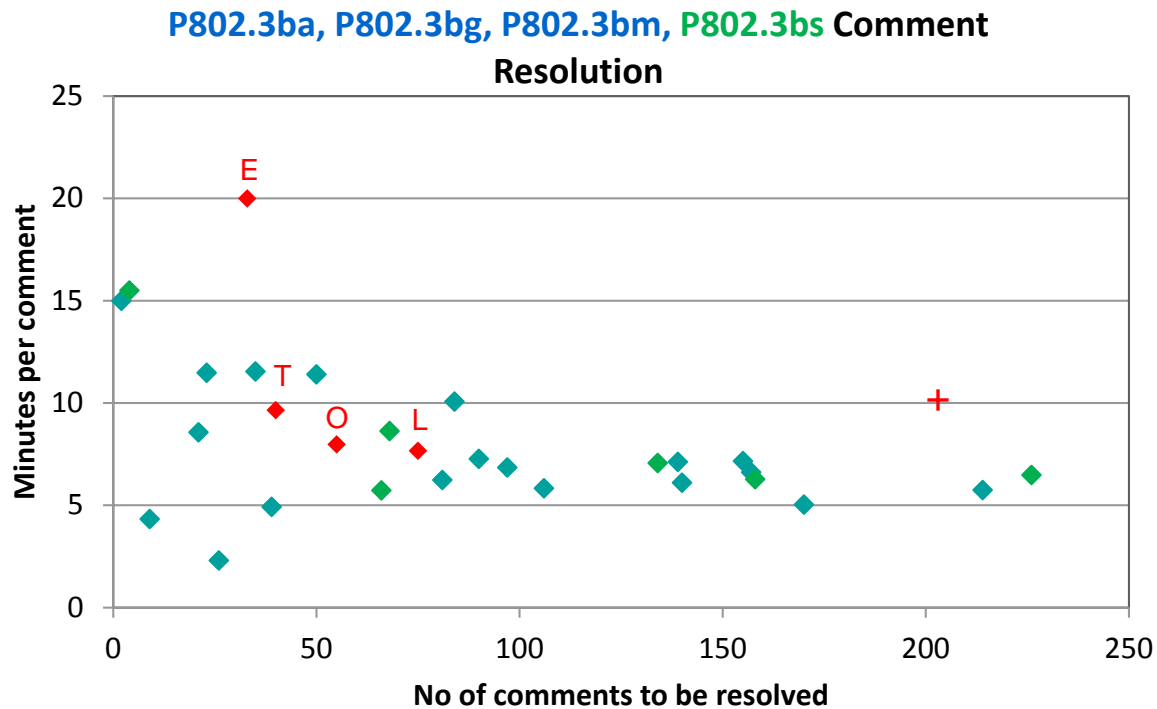
Pete Anslow, Ciena, P802.3bs Chief Editor

IEEE P802.3bs Task Force, Fort Worth, September 2016

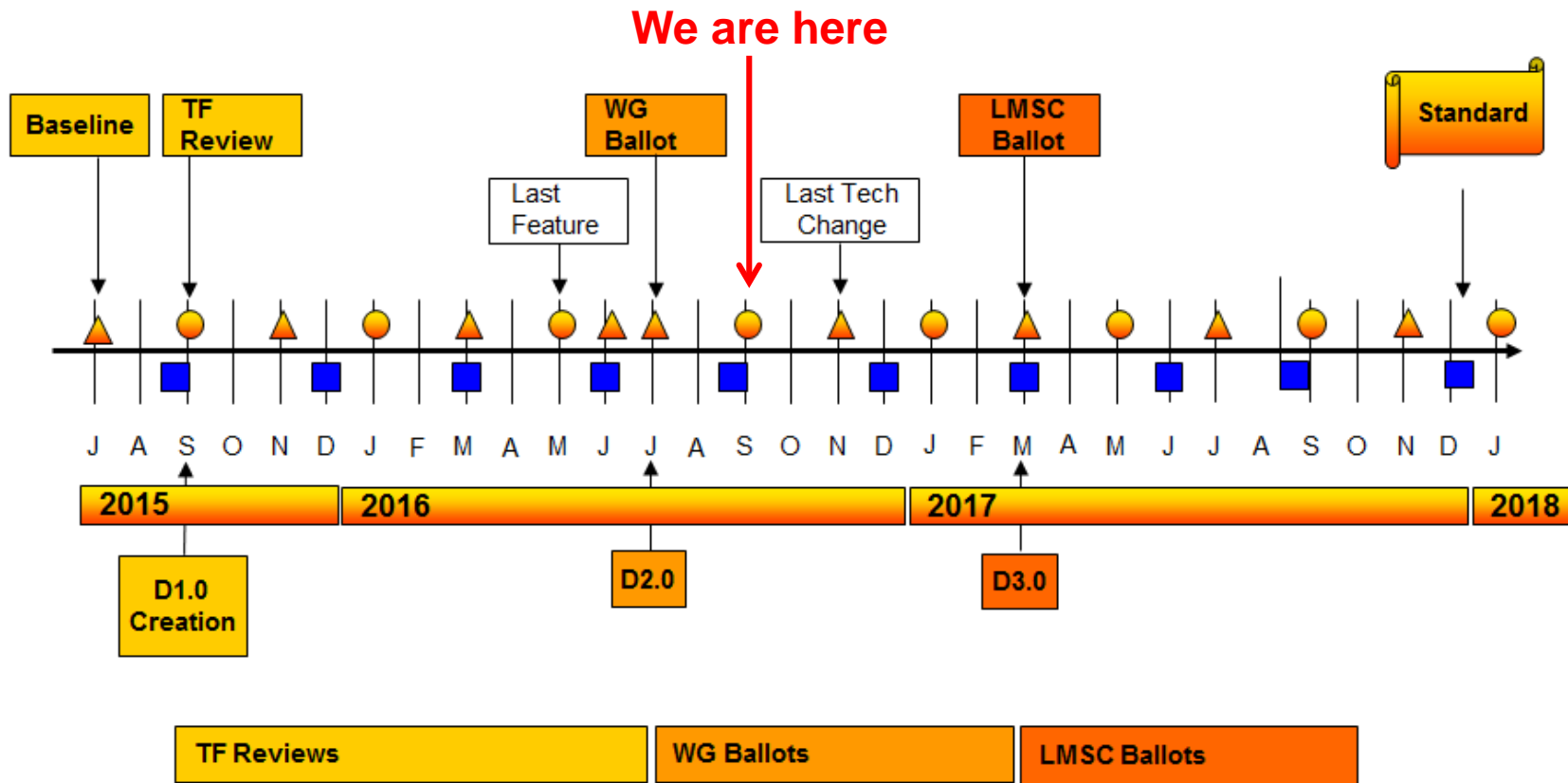
Progress

Comment resolution on D 2.0

- All 574 comments resolved
- All associated presentations reviewed
- Thanks to all TF members participating in discussion for rapid resolutions
- Resolution took 34 hours => 10.1 minutes per comment (red cross)



Adopted Task Force timeline



Adopted by IEEE P802.3bs 400GbE Task Force, Sept 2015 Interim.

Legend

- ▲ IEEE 802 Plenary
- IEEE 802.3 Interim
- IEEE-SA Standards Board

Draft review schedule

Working Group Ballot recirculation will be 15 days.

Dates shown are subject to change

Month	Day	1	2	3	4	5	6	7	8	9	10	11	12	13	14	15	16	17	18	19	20	21	22	23	24	25	26	27	28	29	30	31	Month												
Apr	4									Draft 1.3 review																																			Apr
May	5																																							May					
Jun	6																																							Jun					
Jul	7																																								Jul				
Aug	8																																								Aug				
Sep	9																																								Sep				
Oct	10																																								Oct				
Nov	11																																									Nov			

First Working Group ballot recirculation scope

Ballot scope

- The scope of the initial ballot is entire draft
- While the approval rate is less than 75%, the scope of recirculation ballots is the entire draft plus unsatisfied “required” comments
- When the approval rate is 75% or greater, the scope of the recirculation ballot narrows
 - Only changes to the draft and/or sections of draft impacted by those changes are within scope
 - Plus unsatisfied “required” comments
- Out-of-scope comments need not be addressed

Version 1.0

IEEE P802.3bm Task Force - November 2013

Page 13

healey_01_1113_optx slide 13

	D 2.0		
Voters	212		
Approve	101	83.5%	≥ 75%
Disapprove w comment	20		
Disapprove w/o comment	1		
Abstain	16	11.6%	< 30%
Returns	138	65.1%	> 50%

Conditions for moving to Sponsor ballot

Successfully completing the ballot

- Participation rate $\geq 50\%$
- Approval rate $\geq 75\%$
- Abstention rate $< 30\%$
- No need to conduct a recirculation ballot
 - Satisfy participation, approval, and abstention rate requirements
 - No substantive changes made to the draft
 - No need to rebut new, in-scope, **R**required comments

Thanks!