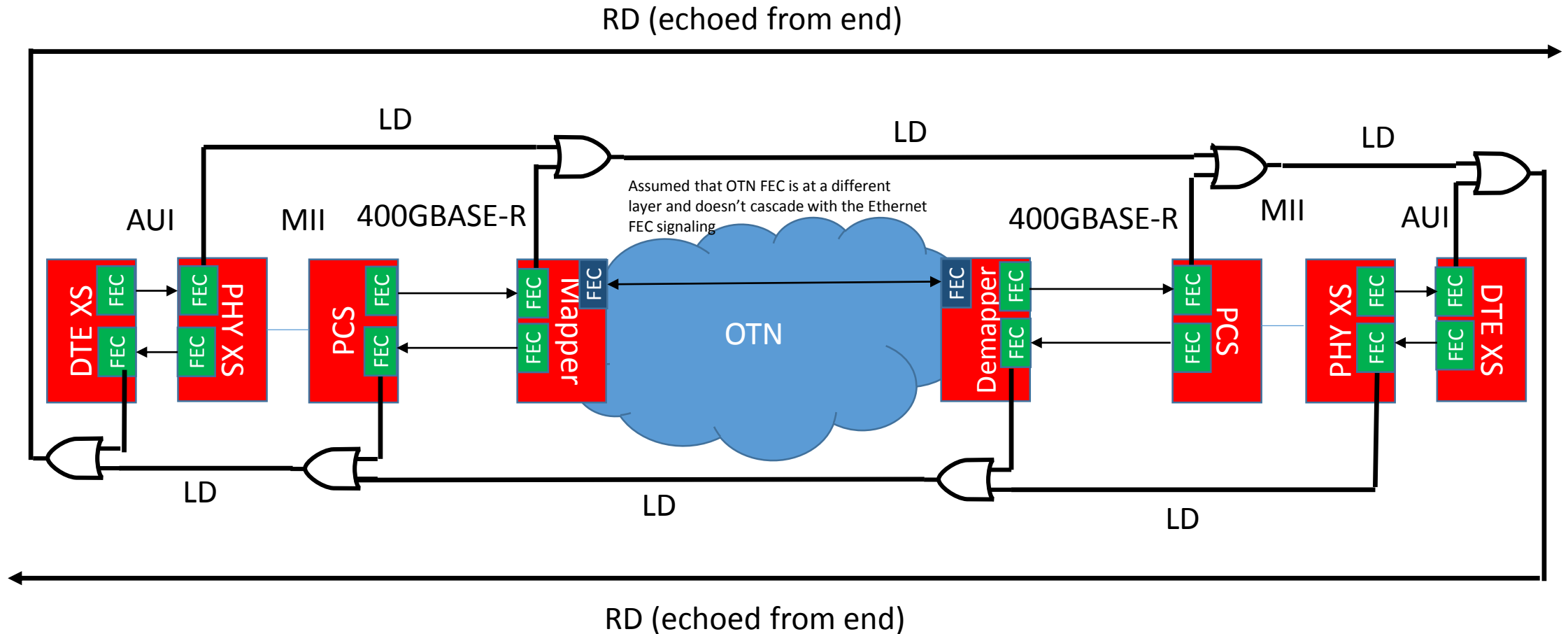


# FEC degrade signaling

Steve Trowbridge – Nokia  
Mark Gustlin – Xilinx  
Dave Ofelt – Juniper  
Gary Nicholl - Cisco  
Jeff Slavick – Broadcom  
Pete Anslow – Ciena

# Consensus View on how FEC degrade signaling should work

OTN mapper contribution to FEC degrade signaling is for ITU to decide, but LD, RD must be propagated whether or not the FEC decoder in the OTN mapper contributes to the accumulated LD status



LD and RD passed in AMs in AUI or Ethernet link, out-of-band to adjacent sublayer across MII

Drawback in description: PCS has different logic depending on whether it is directly below an RS or XS

# Missing from Draft 3.0 to support this signaling

- Behavior of Clause 119 PCS if there is a Clause 118 XS above it
  - Even though this isn't a realistic scenario, it was agreed this should be allowed, and it provides a good way to provide a pattern today for the signaling that must be supported by a future PCS
- Near end PCS doesn't detect or respond to LD if received from the far end (even though a PCS without XS won't generate LD)
- Some elements of the XS differences listed in clause 118 don't need to be different from the PCS once the signaling description in clause 119 is completed
- Signaling diagrams in clause 118 are not accompanied by similar signaling diagrams illustrating PCS without XS behavior. Makes sense to make this a generally described capability in clause 116
- Clause 45 needs a local degrade register for the PCS
- Proposed text changes provided.