

Chief Editor's closing report

Pete Anslow, Ciena, P802.3bs Chief Editor

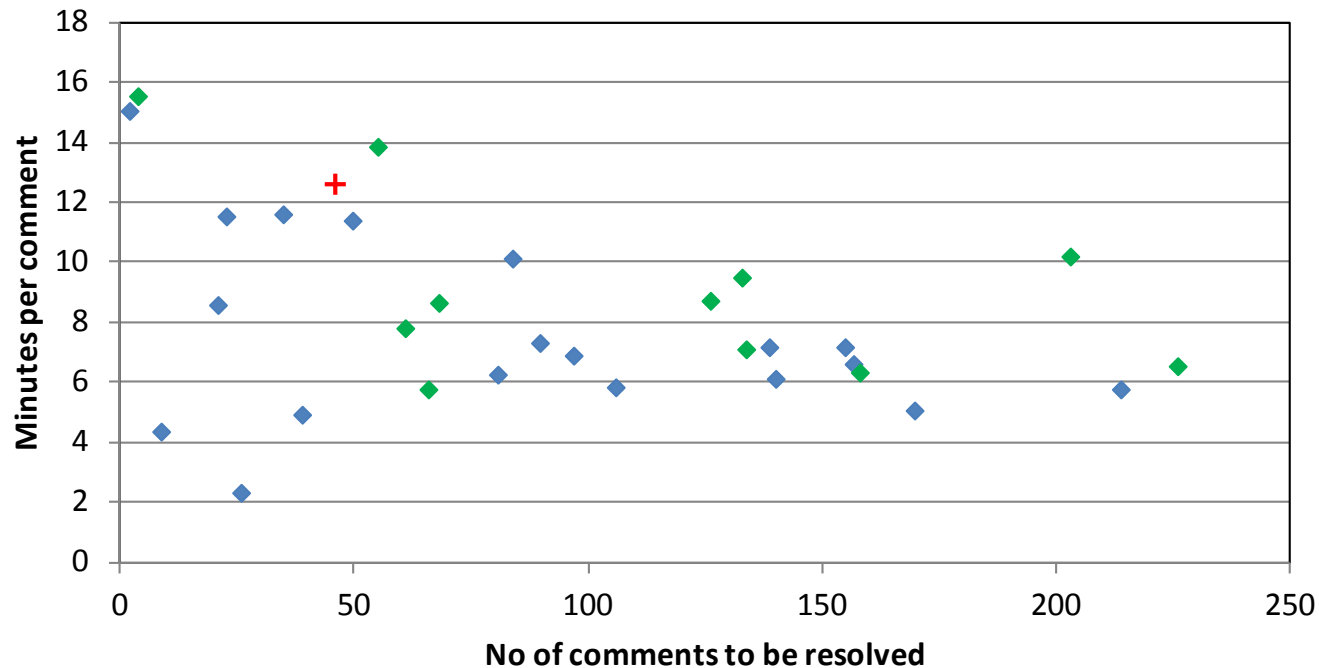
IEEE P802.3bs Task Force, Berlin, Germany, July 2017

Progress

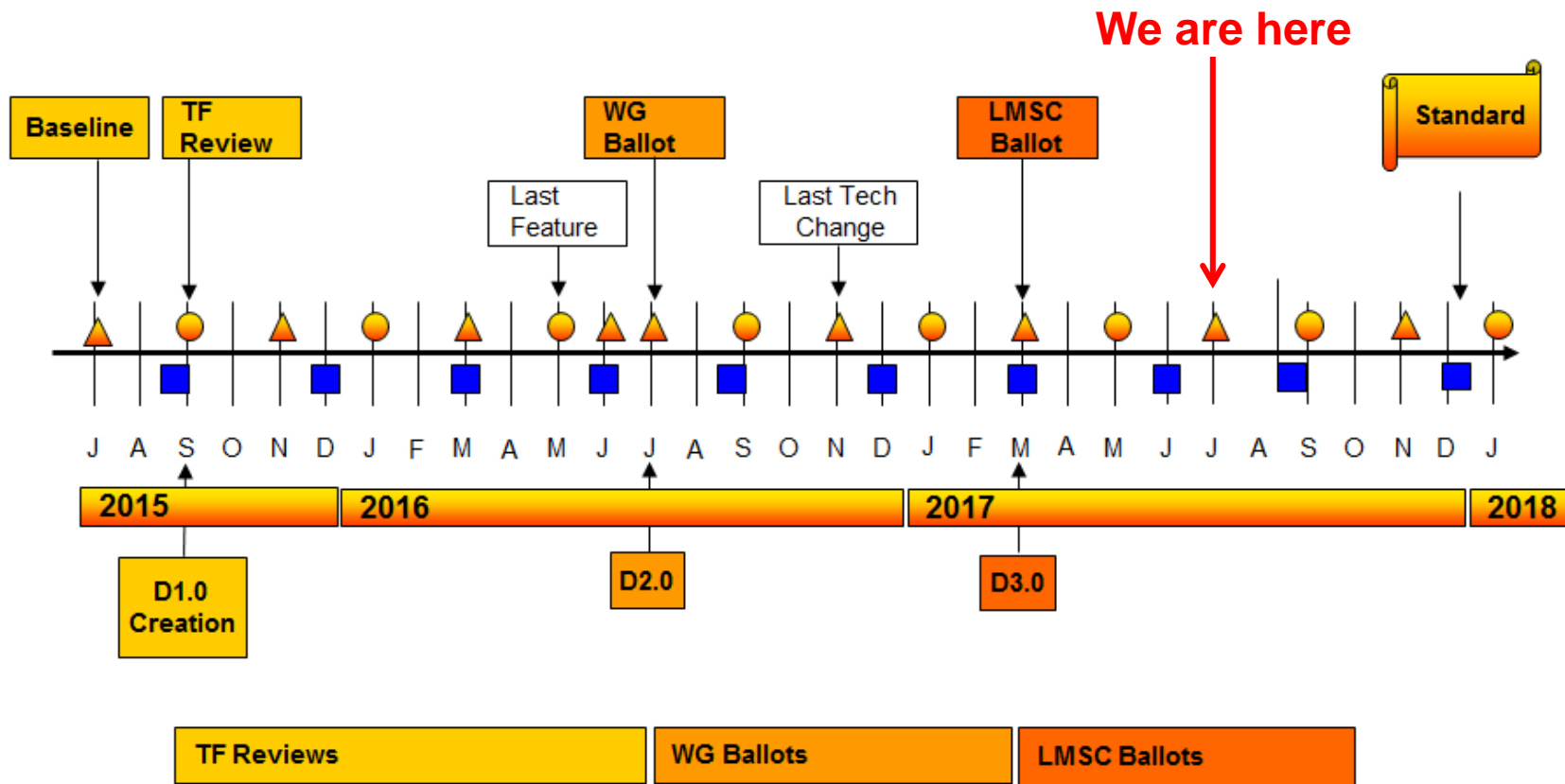
Comment resolution on D 3.2

- All 65 comments resolved
- All associated presentations reviewed
- Thanks to all TF members participating in discussion for rapid resolutions
- Resolution took 9.6 hours => 12.6 minutes per comment (red cross)

P802.3ba, P802.3bg, P802.3bm, P802.3bs Comment Resolution



Adopted Task Force timeline



Legend

- ▲ IEEE 802 Plenary
- IEEE 802.3 Interim
- IEEE-SA Standards Board

Adopted by IEEE P802.3bs 400GbE Task Force, Sept 2015 Interim.

Sponsor ballot recirculation

- As approval ratio is $\geq 75\%$, scope is: changes made to the draft between 3.1 and 3.2 and unsatisfied comments
- Only members of Sponsor ballot group can submit “Must Be Satisfied” comments (equivalent to “R” or Required)
 - Can only submit “Must Be Satisfied” comment if you have voted Disapprove
- Can’t use the same comment tool as WG ballot. Either:
 - enter comments one at a time through the MyBallot web interface
 - or download spreadsheet from MyBallot and upload as a batch
- Sponsor ballot has additional “G” (General) type comment
 - In addition to the usual T and E types
- Participation requirement is higher for Sponsor ballot
 - $\geq 75\%$ required to close ballot (**already met**)

Conditions for submitting to RevCom

- Sponsor ballot continues until the following conditions are met:
 - No substantive (technical) changes in the last recirculation
 - No new negative comments (TR/GR/ER) associated with a Disapprove ballot in the last recirculation
 - $\geq 75\%$ approval ratio
 - $\geq 75\%$ response ratio
 - $< 30\%$ abstention ratio
- When the above conditions are met the TF can request that the draft is submitted to RevCom and the SASB for final approval

Thanks!