

IEEE802.3bt  
4 Pair PoE One PD  
H. Stewart – Linear Technology



## Goal of this Presentation

- Select a unique solution for the 'bt' PD

## PAR, 5 Criteria, Objectives

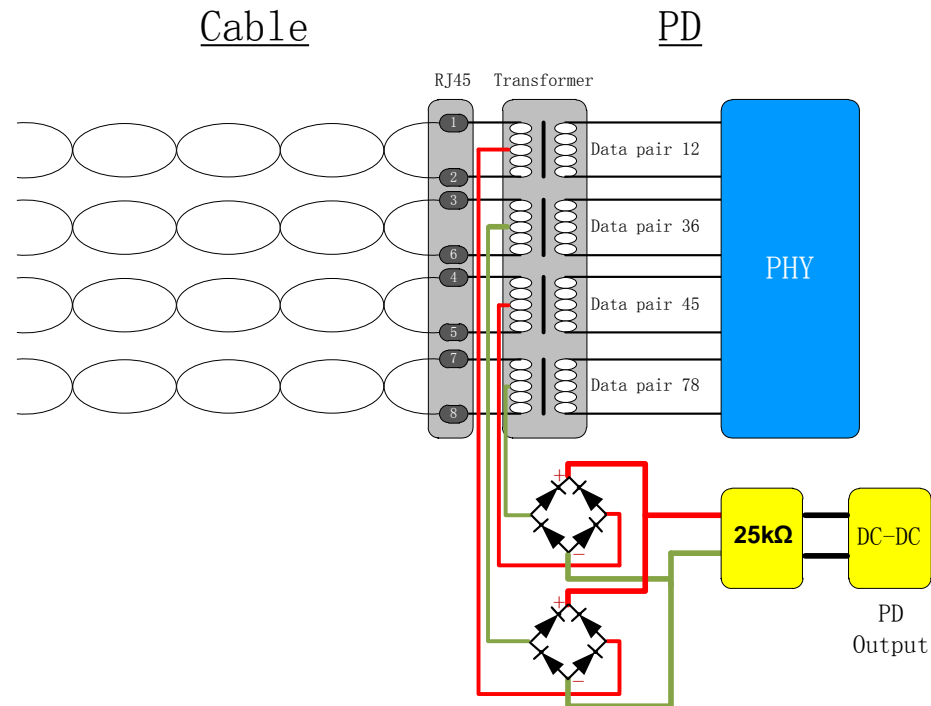
- PAR:
  - **“Optional augmented power limit will be made available for certain structured cabling systems. Compatibility with existing equipment will be maintained.”**
- 5 Criteria:
  - **“Distinct Identity: One unique solution per problem (not two solutions to a problem)”**
- Objectives:
  - **“4PPoE PSEs will be backwards compatible with IEEE 802.3-2012 PDs.”**

## Straw Poll Shows Strong Support in Indian Wells for 1 PD solution

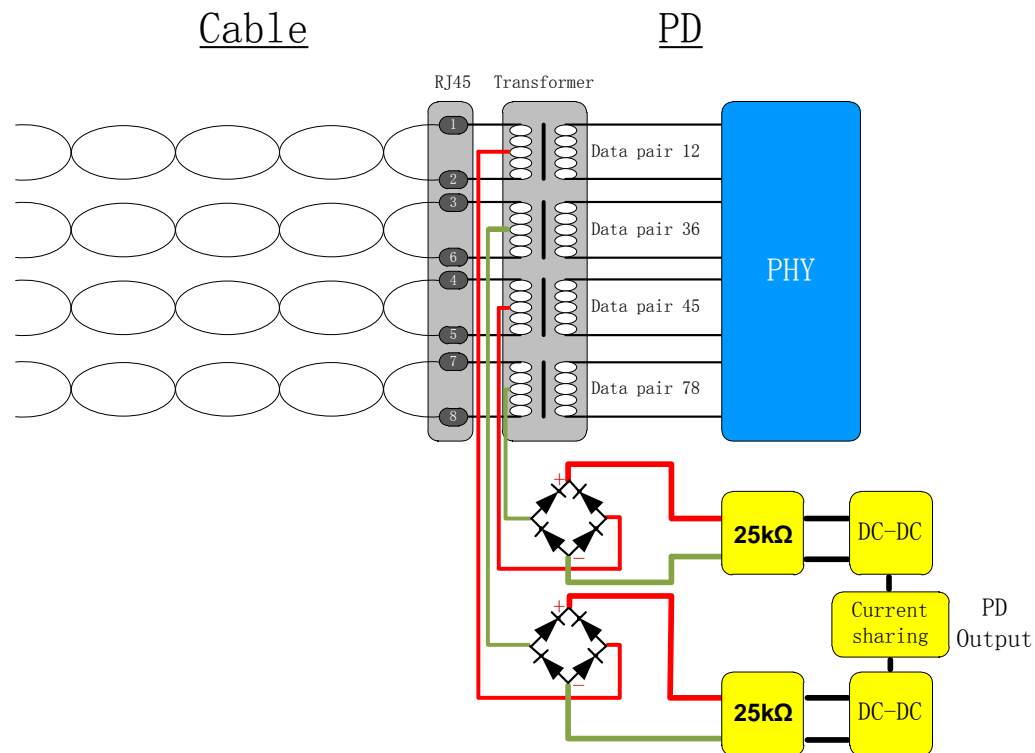
- One Valid 802.3bt PD architecture shall be the same N-by-1 architecture as 802.3at PDs
- Y: 23 N:0 A:10

# “4PPoE PSEs will be backwards compatible with IEEE 802.3-2012 PDs.”

- Diagram shows AF and AT PDs
- Supported by BT



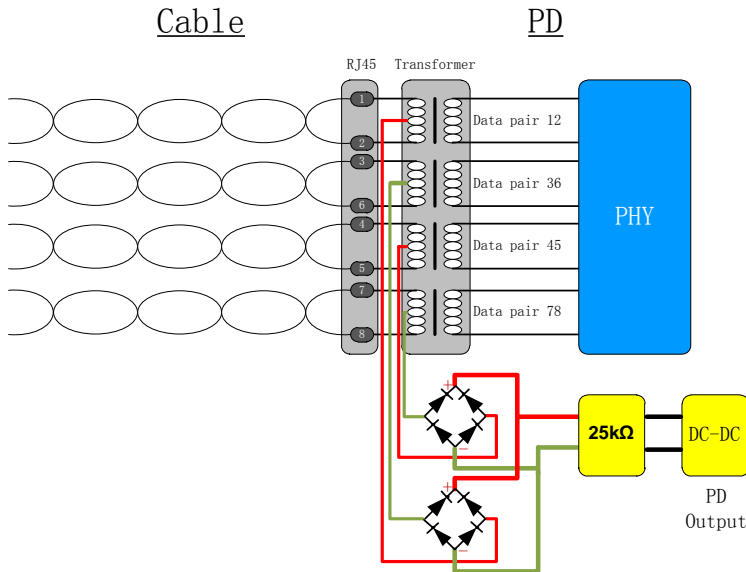
# Proposed Additional Definition of 2 PD Solution



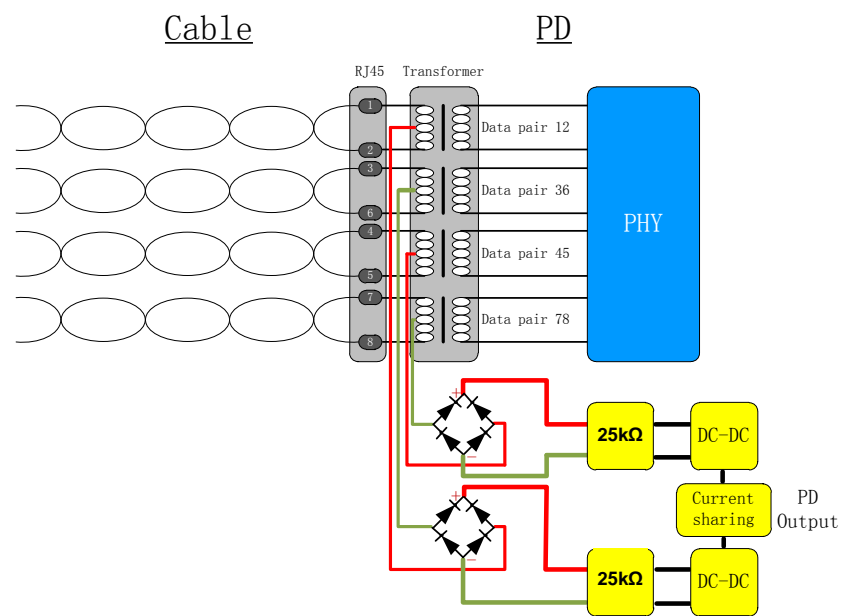
# “Distinct Identity: One unique solution per problem”

## “(not two solutions to a problem)”

### Existing Solution



### Proposed Solution



## Conclusions

- The PAR, 5 Criteria, and Objectives require a unique solution
- Type 1 and Type 2 PDs utilize the existing single channel PD solution
- A single channel PD solution is therefore directed by the PAR, 5 Criteria, and Objectives