



GraCaSI

Link Section Discussion

IEEE 802.3bt 4 Pair PoE
National Pi Day
Tuesday, March 14 2017

Geoff Thompson
GraCaSI S.A.

Definitions

GraCaSI

- Channel (Cabling-11801): end-to-end transmission path connecting any two pieces of application specific equipment
NOTE Equipment and work area cords are included in the channel, but not the connecting hardware into the application specific equipment.
- Channel (legacy 802.3): A band of frequencies dedicated to a certain service transmitted on the broadband medium.
(See IEEE 802.3 Clause 11.)
- Channel (current 802.3): In 10BROAD36 and 10GPASS-XR, a band of frequencies dedicated to a certain service transmitted on the broadband medium. Otherwise, a **defined** path along which data in the form of an electrical or optical signal passes.
(For 10BROAD36, see IEEE Std 802.3, Clause 11, for 10GPASS-XR see Clause 100, Clause 101, and Clause 102.)

Definitions (2)

GraCaSI

- Link segment: The point-to-point full-duplex medium connection between two and only two Medium Dependent Interfaces (MDIs).
- Link section: The portion of the link from the PSE to the PD.
- Link: The transmission path between any two interfaces of generic cabling.
(From ISO/IEC 11801.)

My Fantasy Definition

GraCaSI

- Link section: The point-to-point medium connection between two and only two Power Interfaces (PIs).

My Fantasy Definition

GraCaSI

- Link section: The point-to-point medium connection between two and only two Power Interfaces (PIs).

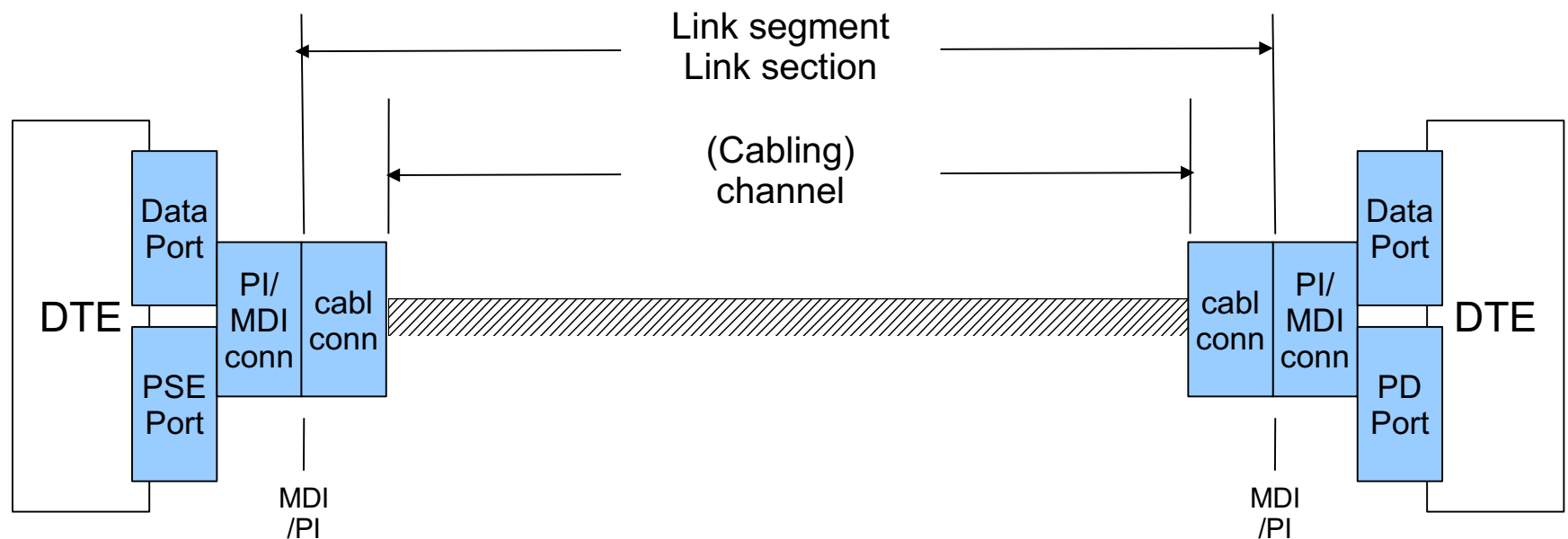
vs. the actual which is:

- Link section: The portion of the link from the PSE to the PD.

Diagrams - 1

GraCaSI

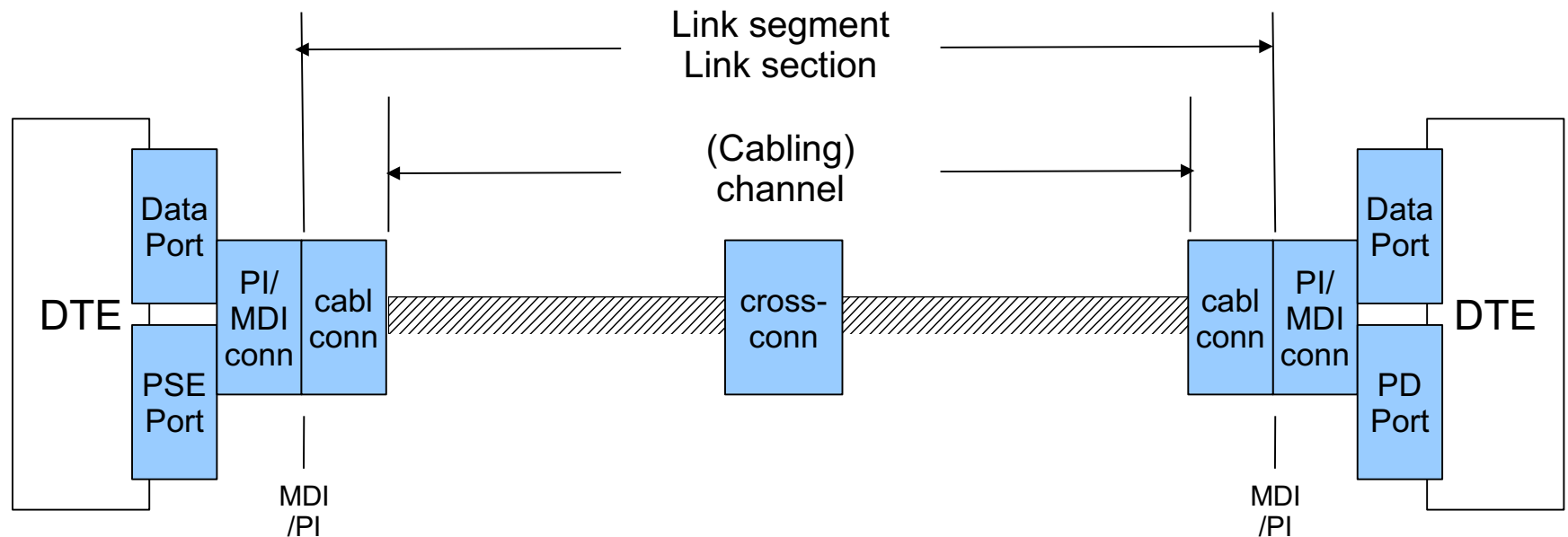
- Link section
- Link segment simplest case



Diagrams - 2

GraCaSI

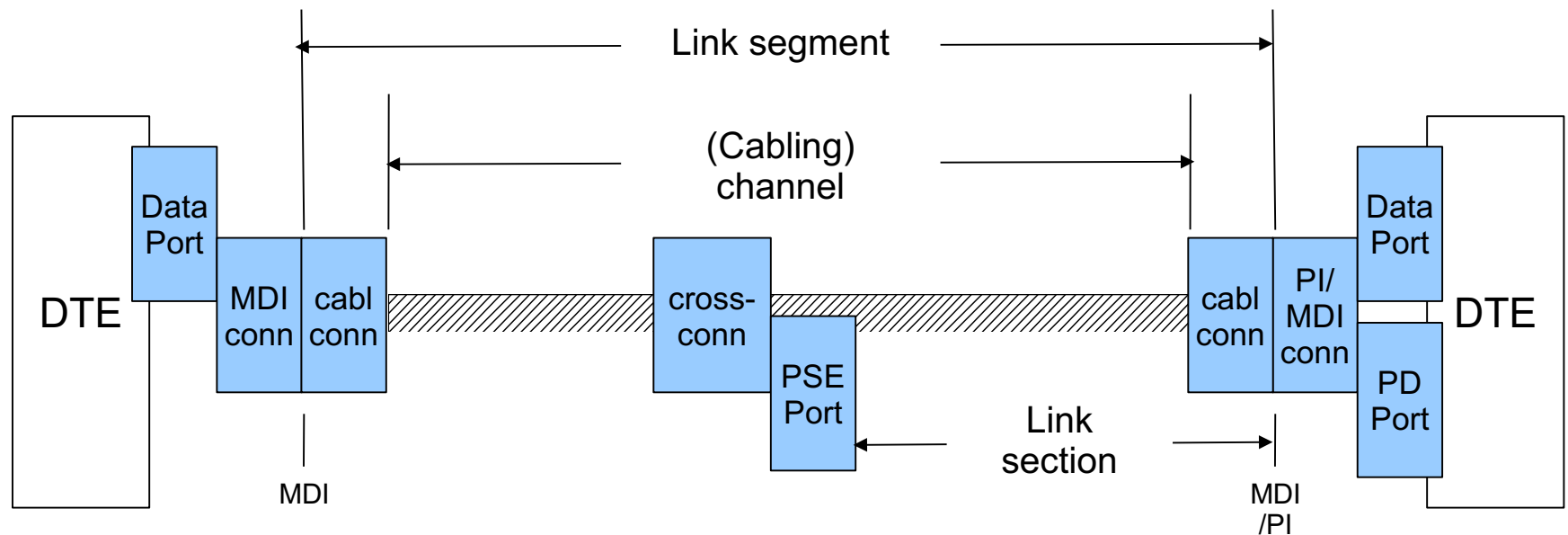
- Link section
- Link segment simplest case



Diagrams - 3

GraCaSI

- Link section
- Link segment simplest case



“Simplest cases”

GraCaSI

- Drawn from 802.3af/at
- Has one and only one instance of a PSE.
- Has one and only one instance of a PD.

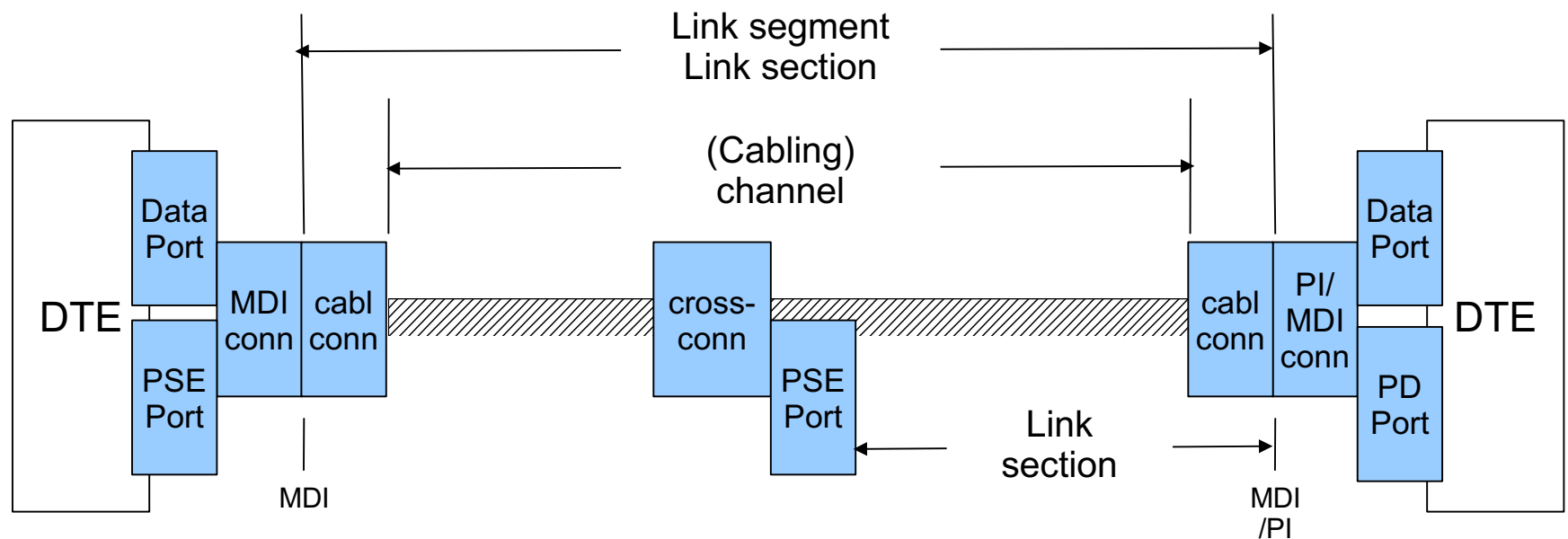
More complex cases

- PSE in more than one location

Diagrams - 4

GraCaSI

- Link sections
- Link segment complex





GraCaSI

THANK YOU
for
your time, participation
and consideration.



GraCaSI

STANDARDS ADVISORS

Geoffrey O. Thompson

**IEEE 802 EXECUTIVE,
MEMBER EMERITUS**

**MOUNTAIN VIEW, CA 94043
USA**

**PHONE: +1.540.227.0059
E-MAIL: <THOMPSON@IEEE.ORG>**