

What is the correct
terminology
for the media path in PoE?

P802.3bt TF Interim Mtg
Chicago/O'Hare, IL USA
March, 2018

GEOFF THOMPSON
GRACASI S.A./INDEPENDENT

Real 802.3 Definitions

GraCaSI

Link: 1.4.248: The transmission path between any two interfaces of generic cabling. (From ISO/IEC 11801.)

Link Segment: 1.4.255: The point-to-point full-duplex medium connection between two and only two Medium Dependent Interfaces (MDIs).

"Link Segment" was first addressed in FOIRL & 10BASE-T. See 802.3-1996, cl. 9.2.11, 13.2.2 and 14.1.2.

Easiest place to look would be on your 802 DVD in 802.3-1996, cl. 9.2.11, 13.2.2 and 14.1.2.

APPRECIATION

GraCaSI

George Zimmerman was of tremendous help in my preparation of this material. His assistance by reviewing my preliminary work, finding holes in it for me to remove and unearthing additional pertinent information buried deep within 802.3.

Thank you George

Table of Contents

GraCaSI

- Problem Statement
- History of Link Segment definition
- Are unused pairs part of the link segment?
- History of Link Section definition
- Dualling definitions of Link Section
- Flaws in current bt definition

Problem Statement

GraCaSI

- Untangle current mess

ISSUES

Scope of link segment is undefined

Current link section is dependent on link segment def'n

- Definition of Link Section

REQUIREMENTS

Technically correct

Not derivative (so it doesn't get fiddled by rest of Dot3)

Concise

Link Segment definition

GraCaSI

History

- Roots in FOIRL, defined in 10BASE-T
- Simple Conceptual Model:
Equipment -- Media – Equipment
- Actually predates cabling standards
(both TIA and 25/WG3)

- 9.2 Definitions for link segment, start to now:
 - Add the following definition: "link segment. The point-to-point full duplex medium connection between two and only two Medium-Dependent Interfaces (MDIs)." [802.3i-1990]
 - 1.4.309 link segment: The point-to-point full-duplex medium connection between two and only two Medium Dependent Interfaces (MDIs). [P802.3cjRev/D3.1]

The big question: Unused pairs part of the link segment or not?

GraCaSI

POSSIBILITIES:

A) YES? : No supporting evidence.

- It doesn't say this or specify this anywhere in the standard.
- 4-Pair Cable may include 2 link segments
(e.g. split outlets in 11801).
- Use of 25 pair DIW was common with use shared with
other LANs, phone service, RS-232.

B) NO? : No supporting evidence.

- Illustrations include only used pairs [e.g. Figure 14-1]
- No text in standard excluding unused pairs

C) OUT OF SCOPE? : Best choice.

- Seems correct since 802.3 doesn't specify or deal with
unused pairs/conductors

INDETERMINATE AT BEST

History - Link Section def'n

GraCaSI

802.3af Definitions

1.4.x Link Section:

The portion of the link from the PSE to the PD.
(Depends on: 1.4.153 link: The transmission path
between any two interfaces of generic cabling.
("link" is from ISO/IEC 11801 & 802.3-2002.)

1.4.x Midspan: An entity located within a link segment
that is distinctly separate from and between the
Medium Dependent Interfaces (MDIs).

Current status in bt

GraCaSI

1.4.309 link section: The portion of the link segment from the PSE to the PD.

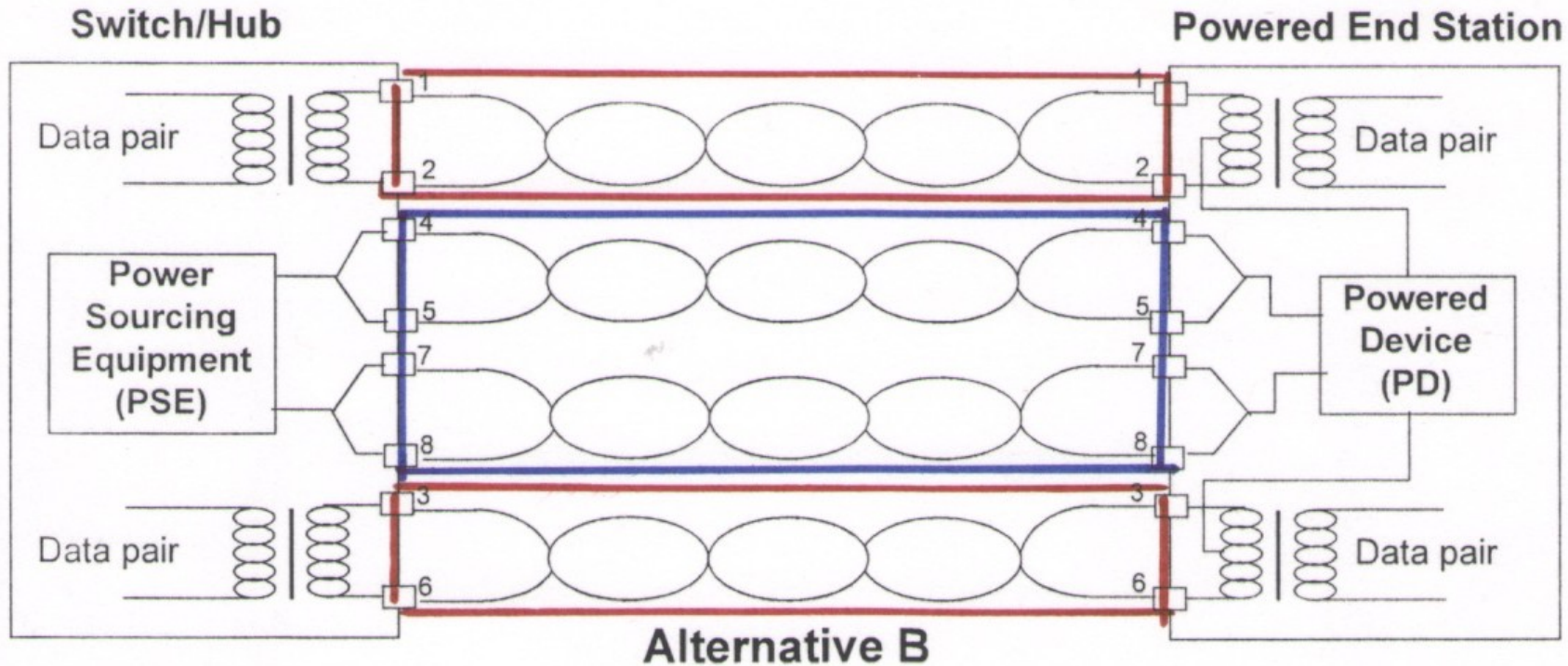
This was changed from the legacy definition by adding the word “segment”

i.e. “link” was correct, “link segment” is Incorrect.

See diagrams on following pages.

LINK SEGMENT

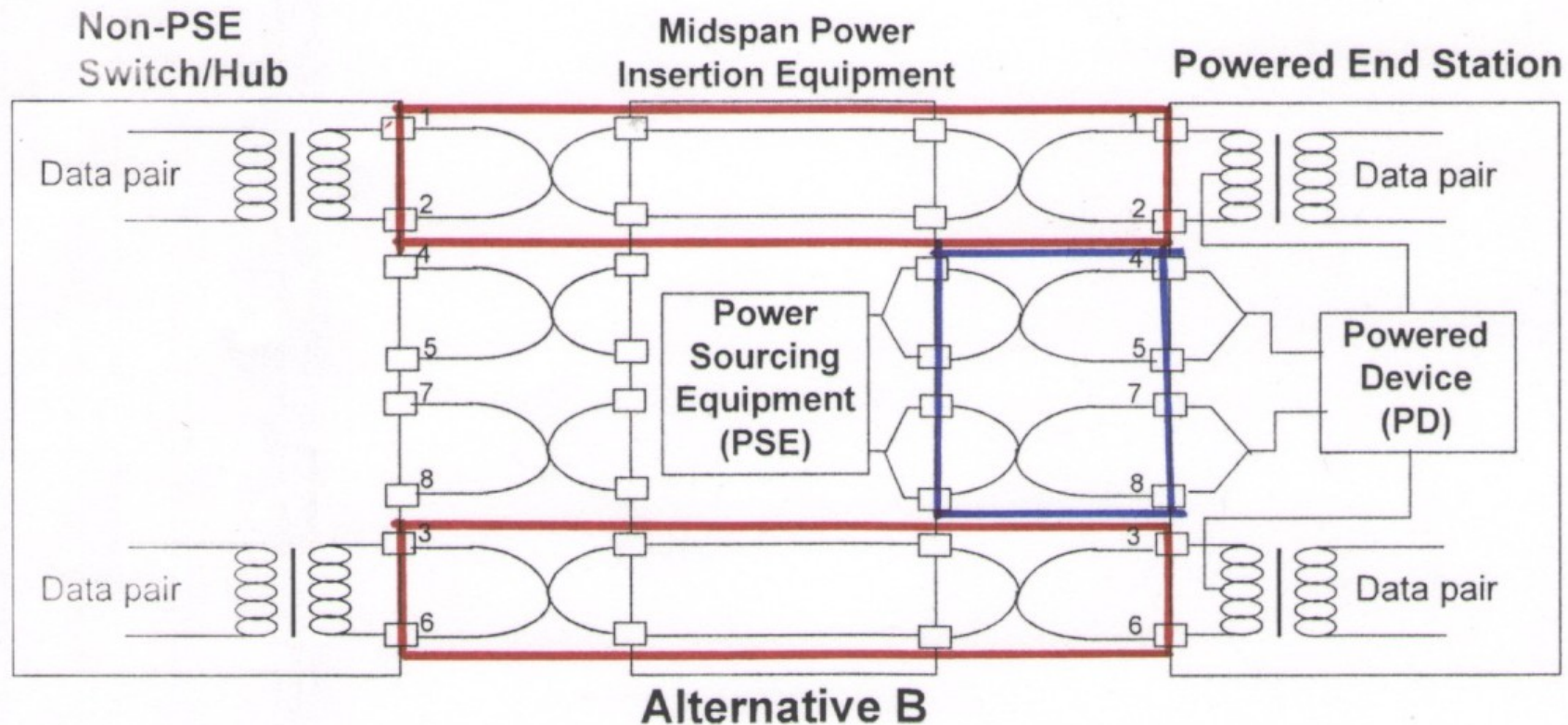
LINK SECTION



In this instance, the link section is not a “portion” of the link segment.

LINK SEGMENT

LINK SECTION



In this instance, the link section is not a “portion” of the link segment.

How did it get changed?

IEEE P802.3bt D1.2 4P PoE 5th Task Force review comments

<i>Cl</i> 33	<i>SC</i> 33.1.4	<i>P</i> 198	<i>L</i> 8	# 228
Schindler, Fred		Seen Simply		
<i>Comment Type</i>	TR	<i>Comment Status</i>	A	<i>Cabling</i>
Changes to the text, "A power system consists consisting of a single PSE, link segment, and a single PD, and the link section connecting them. " have changed legacy requirements.				
1.4.241 link section: The portion of the link from the PSE to the PD.				
1.4.242 link segment: The point-to-point full-duplex medium connection between two and only two Medium Dependent Interfaces (MDIs).				
We had a "link segment" that changed to "link section", which removes that requirement that a full-duplex medium be used.				
<i>SuggestedRemedy</i>				
The Task Force should discuss these implications. The preferred solution is to replace "link section" with "link segment".				
<i>Response</i>	<i>Response Status</i> C			
ACCEPT IN PRINCIPLE.				
Change definition to:				
1.4.241 link section: The portion of the link segment from the PSE to the PD.				

Conclusion

GraCaSI

Correct (legacy)

The portion of the link from the PSE to the PD.

Correct and more precise (new as in 802.3cj)

The point-to-point medium connection between the active PSE Power Interface (PI) and the PD PI.

Incorrect (bt draft)

The portion of the link segment from the PSE to the PD.

**Pick one of the correct ones,
preferably the more precise one**

Proposal

GraCaSI

- 1) Where you mean the MDI-to-MDI connection use:
"link segment"
(See: 112.9, 112.10 for 2 of several examples)
- 2) Where you mean the PI-to-PI connection use:
"link section"
- 3) When you mean both AND it is technically correct use:
"link segment"

GraCaSI

The END

GraCaSI

STANDARDS ADVISORS

Geoffrey O. Thompson

PRINCIPAL

MOUNTAIN VIEW, CA 94043

USA

PHONE: +1.540.227.0059

E-MAIL: <THOMPSON@IEEE.ORG>