



802.3bv Link Monitor State Diagram Improvement to avoid glitch on rem_rcvr_status

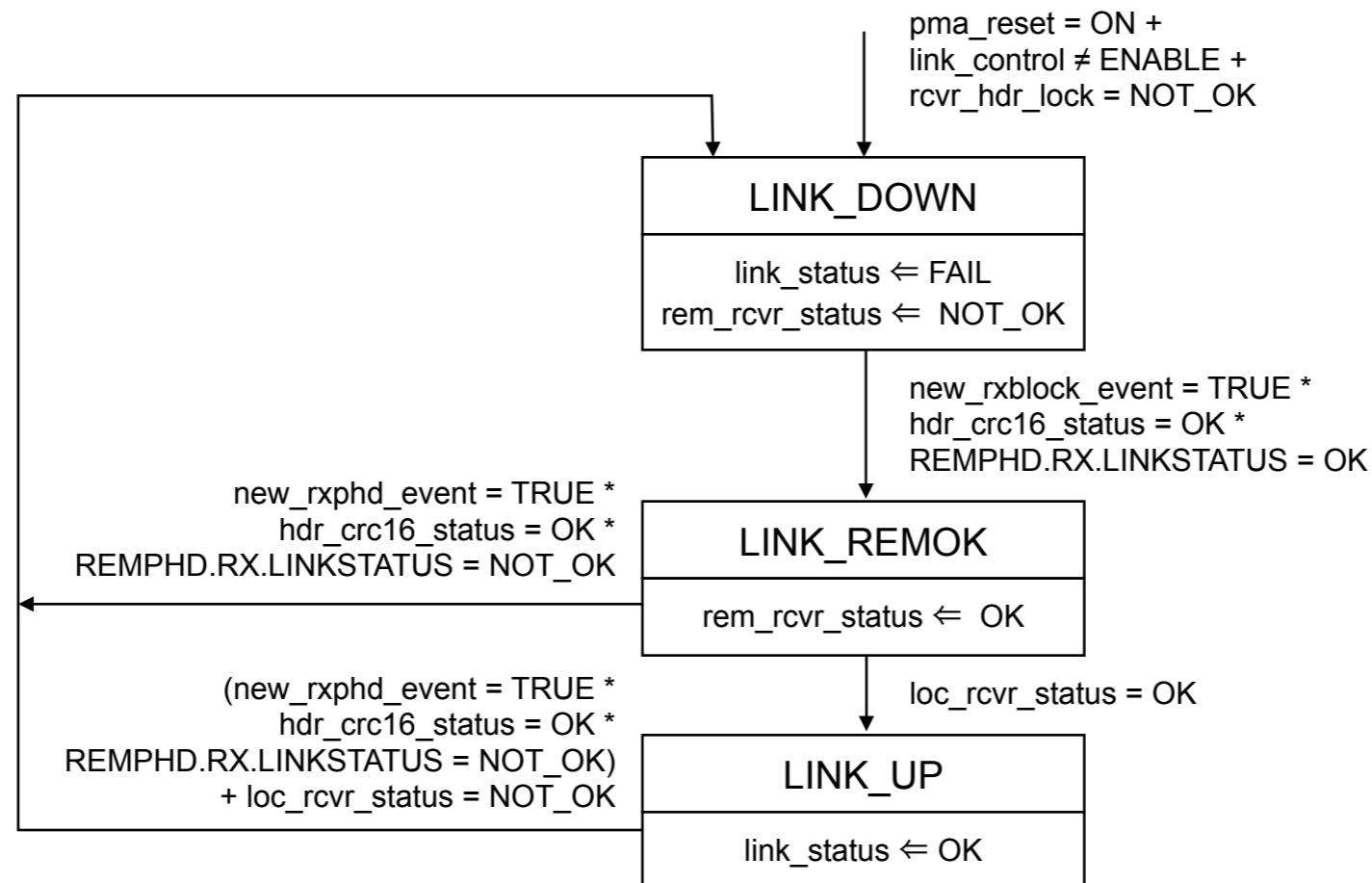
Rubén Pérez-Aranda
(rubenpda@kdpof.com)

Agenda

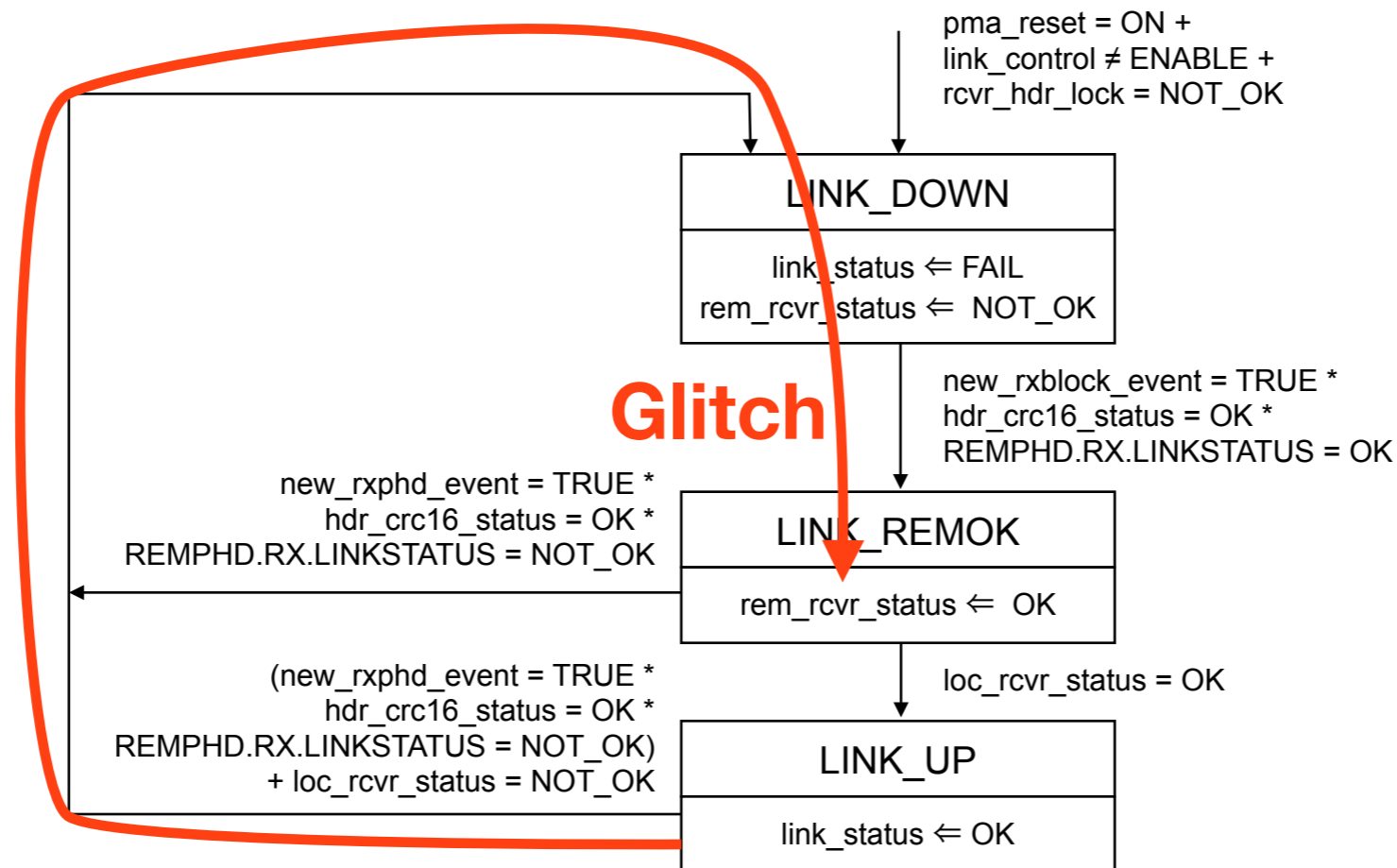


- Link monitor state diagram in 802.3bv D2.0: problem statement
- Link monitor state diagram refinement proposal for 802.3bv D2.1

Link monitor state diagram in 802.3bv D2.0

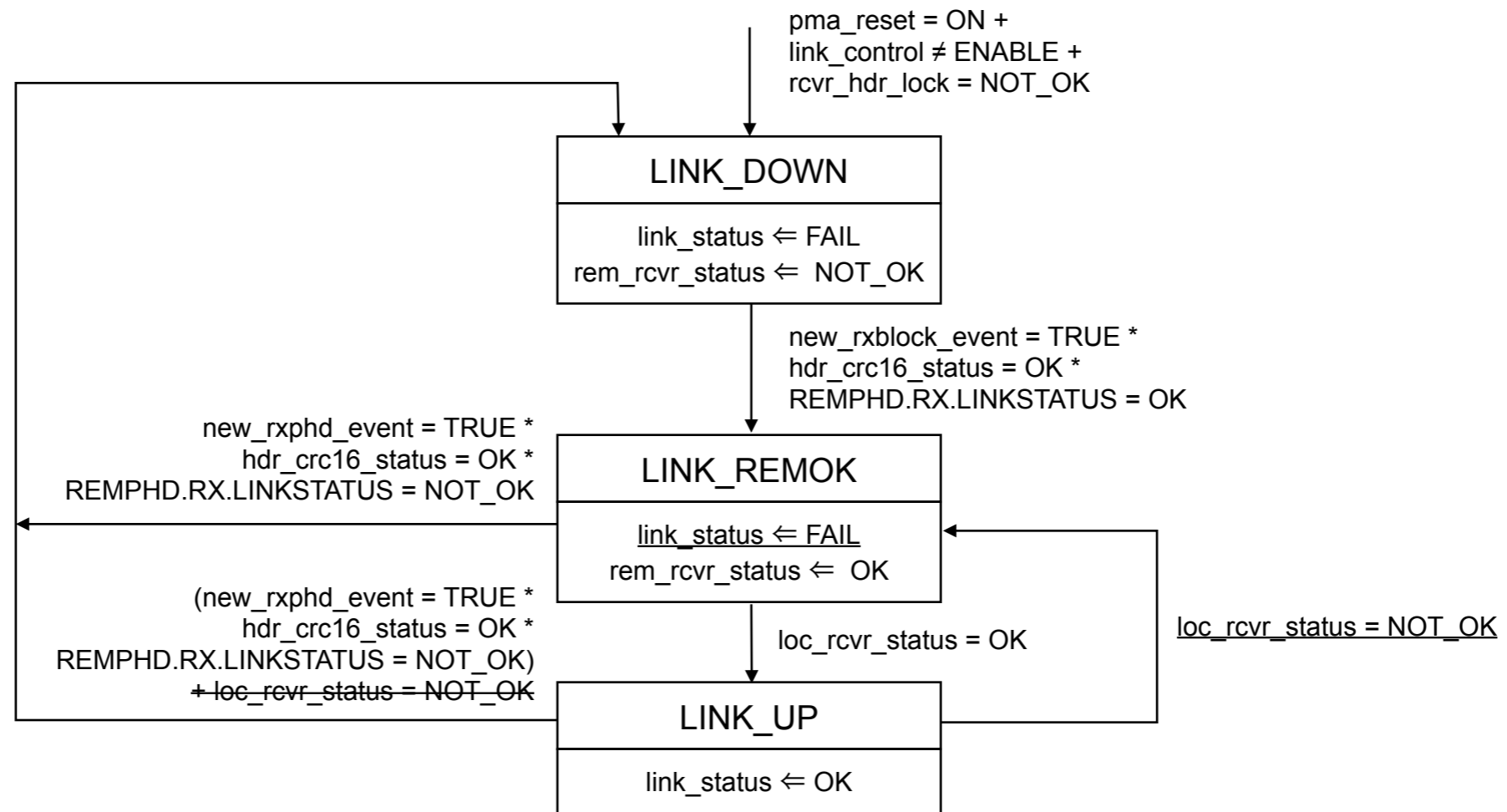


Link monitor state diagram in 802.3bv D2.0

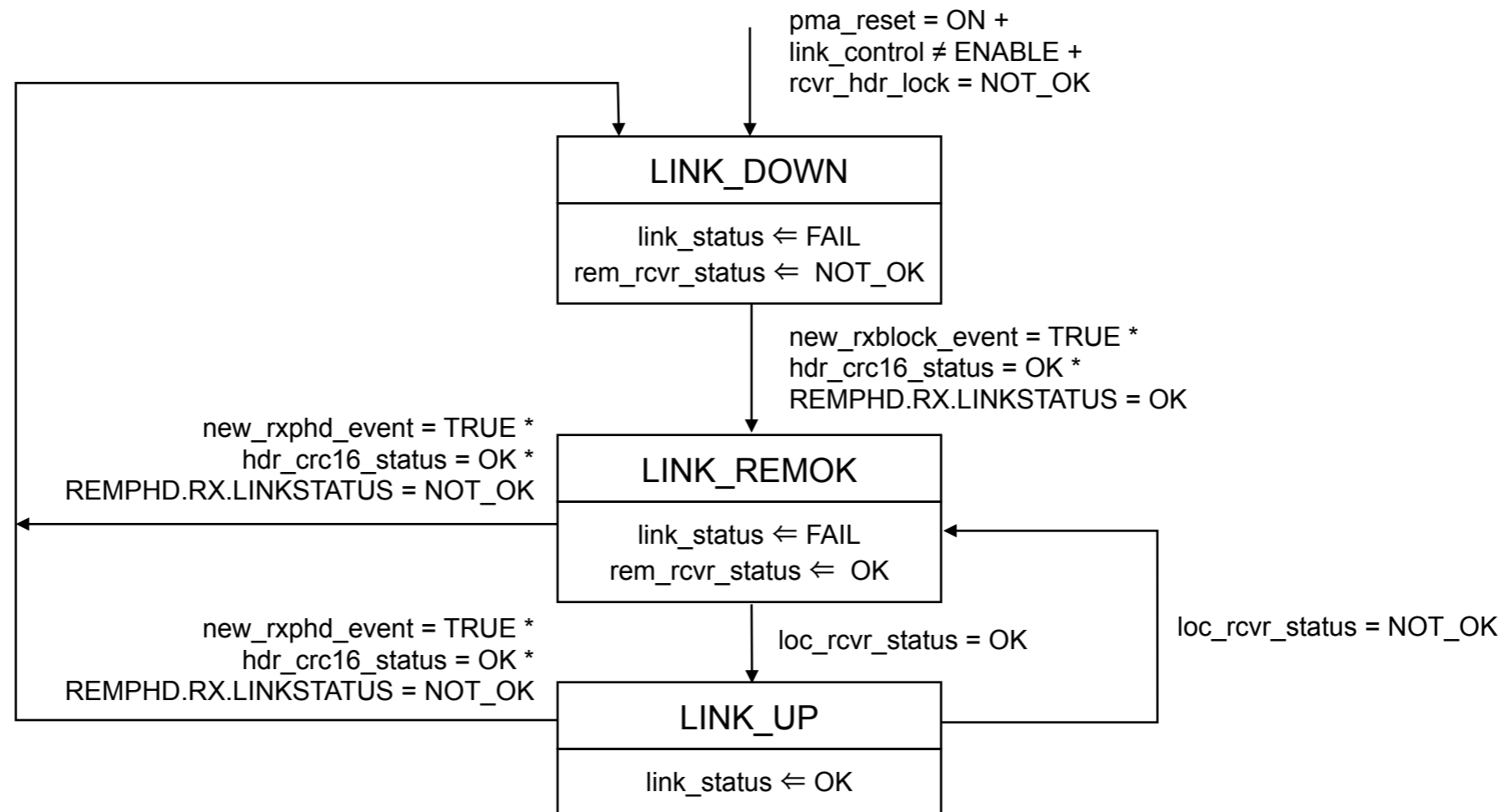


PMA Check Quality SD indicates `loc_rcvr_status ⇐ NOT_OK`, but remote PHY receiver stays indicating OK

Link monitor SD refinement for 802.3bv D2.1



Link monitor SD refinement for 802.3bv D2.1





Questions?