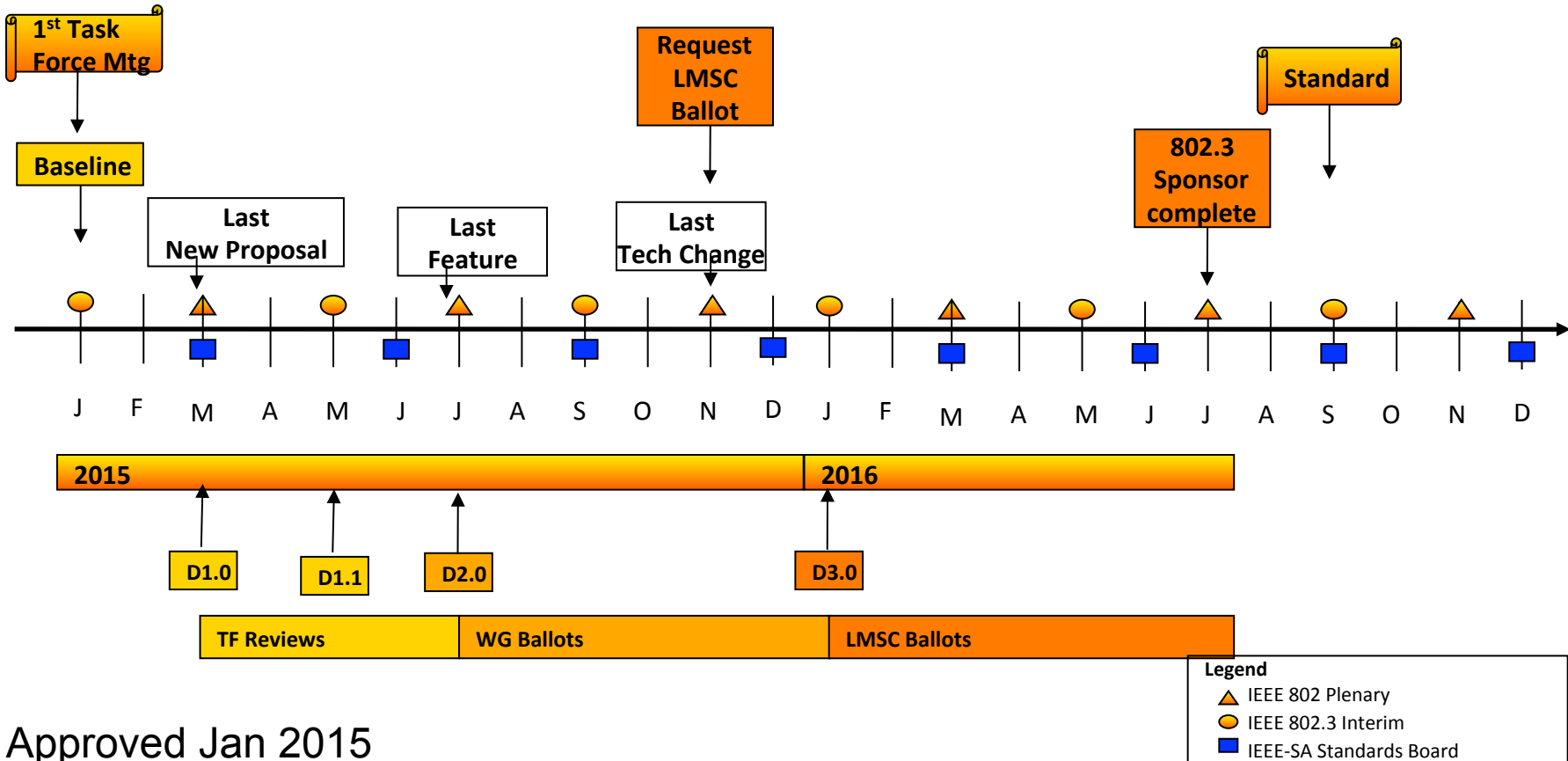


IEEE P802.3by Task Force Timeline*



* Approved Jan 2015