

Proposed response to editors note page 158 line 6

Tom Palkert

Molex

3-10-15

Editors note page 158 line 6:

- Note: Need drawings of SFP28 plug and receptacle

Two figures needed:

- 1) Figure 110-5- SFP28 cable assembly plug
- 2) Figure 110-6- SFP28 receptacle

Text that references the diagrams: Page 158 lines 1,2.
(No other references found)

*Proposed change to text: 2nd reference to Figure 110-5
(line 2) should be 110-6.

92.12.1.1 drawings for reference

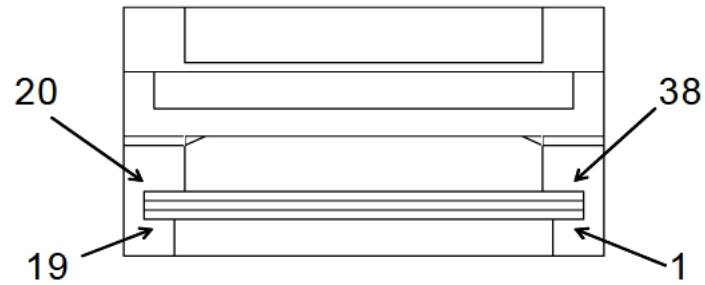


Figure 92-24—Style-1 example cable assembly

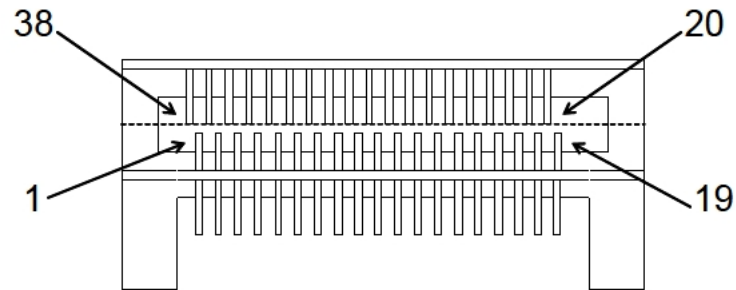
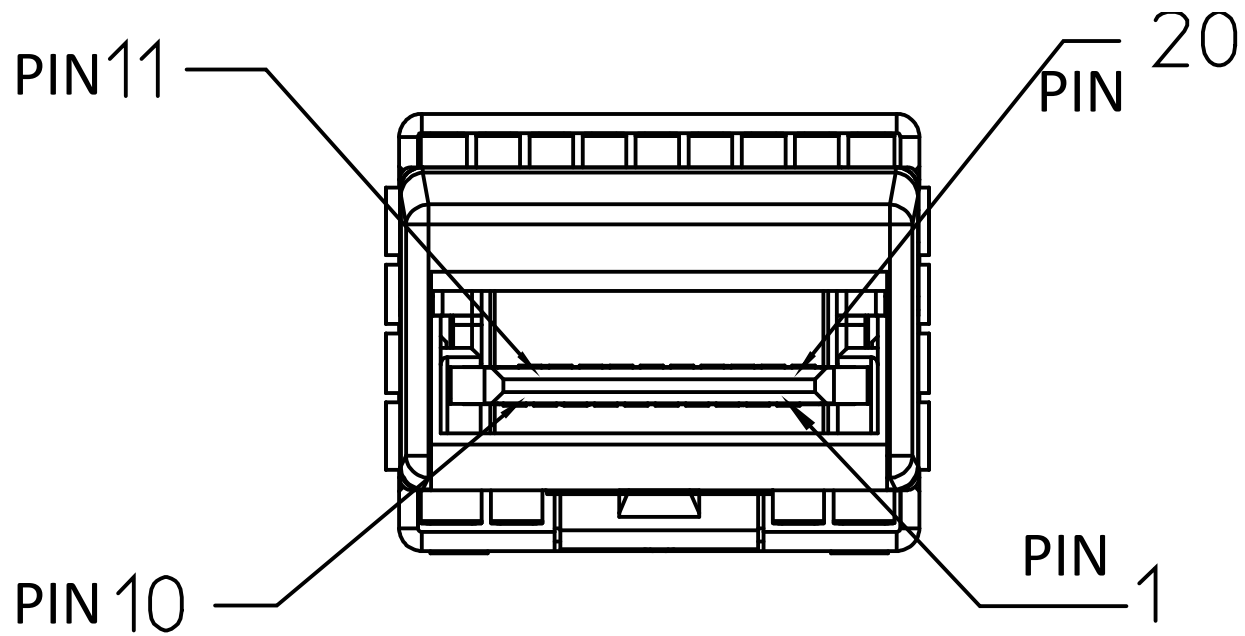


Figure 92-25—Style-1 example MDI board receptacle

Proposed Figure 110-5: SFP28 cable assembly plug



Proposed Figure 110-6: SFP28 example MDI board receptacle

