

-Tutorial-
What is the correct
terminology
for the media path?

P802.3by Interim Meeting
Milpitas, CA

Thursday, Oct. 15, 2015
Geoff Thompson
GraCaSI S.A./Independent

This is about disapprove comments that I put in regarding the use of the term "channel" on D2.0 and D2.1.

My comment on D2.0 was rejected on the basis that:
"Consistent with the previously listed clauses, 112.9 says "the term channel is used here for consistency with generic cabling standards". NOT TRUE

And

"Changing a previously used term for a single clause might be confusing."

PERPETUATING ERRORS IS POOR PRACTICE

(We should fix errors)

CONSISTENCY WITH REMOTE LOCAL LABELS OVER
GLOBAL LABELS IS JUST WRONG.

Some Background

GraCaSI

1) Global definitions belong in: cl. 1.4, or Merriam-Webster Dictionary (per the SA Style Manual)

[NOTE: There may be issues here when going for ISO approval vs. Oxford English Dictionary. Those matters not addressed here.]

2) There is satisfactory terminology in legacy 802.3 and in the global definitions (cl. 1.4) for labeling with respect to this issue.

3) This was first addressed in FOIRL & 10BASE-T. See 802.3-1996, cl. 9.2.11, 13.2.2 and 14.1.2. "Channel" is defined there in 11.1.2.5

Real Definitions

GraCaSI

Link Segment: 1.4.255: The point-to-point full-duplex medium connection between two and only two 25 Medium Dependent Interfaces (MDIs).

Channel: 1.4.134: In 10BROAD36, a band of frequencies dedicated to a certain service transmitted on the broadband medium. (See IEEE Std 802.3, Clause 11.)

Link: 1.4.248: The transmission path between any two interfaces of generic cabling. (From ISO/IEC 11801.)

Real Definitions #2

GraCaSI

FROM TR-41

channel: The end-to-end transmission path between two points at which application-specific equipment is connected.

(TIA-568)

[NOTE WELL: This is NOT the same as an 802.3 link segment! It does not include the "application specific" connectors used to hook to the LAN equipment.]

FROM ISO/IEC 11801

3.1.15. channel: The end-to-end transmission path connecting any two pieces of application specific equipment. Equipment and work area cords are included in the channel, but not the connecting hardware into the application specific equipment.

[NOTE; Equivalent to TR41 definition.]

Real Definitions #2a

GraCaSI

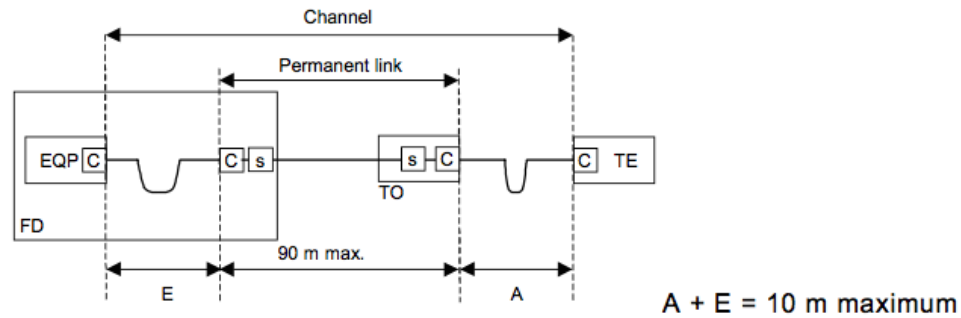


Figure 7c – Optical fibre cabling (with interconnect)

112.9 Fiber optic cabling model

The fiber optic cabling model is shown in Figure 112-3. The fiber type and length are the same as 100BASE-SR4 (See [Clause 95](#)).

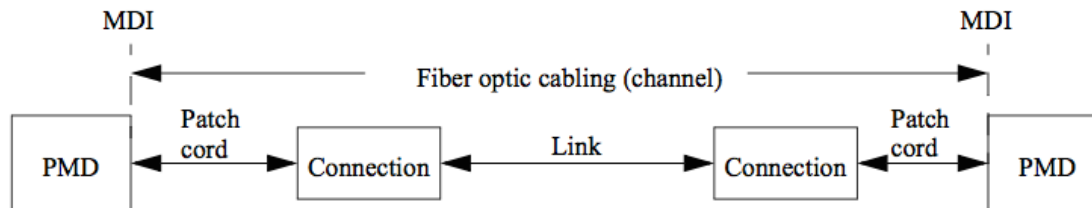


Figure 112-3—Fiber optic cabling model

Real Definitions #3

GraCaSI

From Merriam-Webster

Definition of CHANNEL

d : a means of communication or expression: as (1) : a path along which information (as data or music) in the form of an electrical signal passes (2) plural : ...

f : a band of frequencies of sufficient width for a single radio or television communication

Proposal

GraCaSI

- 1) Where you mean the MDI-to-MDI connection use:
"link segment"
(See: 112.9, 112.10 for 2 of several examples)

- 2) Add a definition to cl. 1.4 to accomodate "channel" as a general term. When used to describe as measurable parameter or quantity, the term "channel" should always be used descriptive adjectives.

- 3) Proposed definition (based on Merriam-Webster):
a path along which data in the form of an electrical or optical signal passes

GraCaSI

The END

GraCaSI

STANDARDS ADVISORS

Geoffrey O. Thompson

PRINCIPAL

**158 PASEO COURT
MOUNTAIN VIEW, CA 94043-5286
USA**

PHONE: +1.540.227.0059

E-MAIL: <THOMPSON@IEEE.ORG>