



ERL and System Performance for 50GBASE-CR

Mike Dudek Cavium

Tao Hu Cavium

Presented at May 2018 Pittsburgh interim.

- This presentation is related to comment r02-15, and also investigates the effect on system performance as measured by COM of changes in ERL parameters and specifications. It builds on work presented in dudek_3cd_01_0318.
- No cable S parameters are available on the web site for cables with ERL close to the specification limit so Cavium CA2 was created to see what the effect would be on system performance with hosts with different ERL. The creation method and more details of this cable and the others used in the analysis are given in the back-up.
- Various changes to the ERL parameters have been proposed by Mellitz in comment r02-21 which will effect the values of ERL. This presentation looks at the effect of these changes on ERL.
- It was suggested in the ad-hoc on 5/16/18 that the inclusion of Tx's that did not meet P_{max}/V_f was affecting the results. This revised version of the presentation adds slides with those points removed and some obtained with a faster risetime Tx that does meet this spec added.

Cl **136** *SC* **136.9.4** *P* **226** *L* **13** # **r02-21**

Mellitz, Richard Samtec, Inc.

Comment Type **TR** *Comment Status* **X**

In http://www.ieee802.org/3/cd/public/adhoc/archive/mellitz_3cd_032118_adhoc-v2.pdf changes to Grr were suggest and new more meaningful values of beta_x and rho_x are required. This is a cross-clause comment with clause 137. See proposed changes.

Values for these were presented in http://www.ieee802.org/3/cd/public/adhoc/archive/mellitz_040418_3cd_adhoc-v2.pdf and subsequent meetings.

Presentation to review will be provided at the interim.

SuggestedRemedy

- In table 136-13 page 226 change beta x to 1.7 and rho_x to 0.3
- In table 136-15 page 232 change beta x tp 1.7 and rho_x to 0.25
- In table 137-5 page 249 change beta x to1.7 and rho_x to 0.32
- In table 137-7 page 253 change beta x to1.7 and rho_x to 0.18

Proposed Response *Response Status* **O**



Cable assembly: Effect of parameter changes on ERL

136.11.4 Cable assembly ERL

ERL of the cable assembly at TP1 and at TP4 are computed using the procedure in 93A.5 with the values in Table 136–17. Parameters that do not appear in Table 136–17 take values from Table 136–18. The value of T_{fx} is twice the delay associated with the cable assembly test fixture being used. N_{bx} is set to the value of N_b in Table 136–18.

Comment

In table 136-15 page 232 change beta x tp 1.7 and rho_x to 0.25

Table 136–17—Cable assembly ERL parameter values

Parameter	Symbol	Value	Units
Transition time associated with a pulse	T_r	0.0189	ns
Incremental available signal loss factor	β_x	10.7	GHz
Permitted reflection from a transmission line external to the device under test	ρ_x	0.44	—
Length of the reflection signal	N	1000	—

Cable assembly ERL at TP1 and at TP4 shall be greater than or equal to 11 dB.

Editor's note: The value of ERL is to be confirmed.

Cable ERL results and conclusions

			D3.2		D3.2 comments	
	COM TX 12mm (dB)	COM TX 30mm (dB)	ERL11 (dB)	ERL22 (dB)	ERL11 (dB)	ERL22 (dB)
TE	4.58	4.19	19.18	17.31	20.52	19.47
FCI	4.21	3.70	15.19	19.19	15.95	20.66
CAVIUM CA2	3.89	3.56	9.72	14.23	10.70	16.13

The Changes have increased the ERL values by between 0.76dB and 2.2dB. As there is technical justification for the parameter changes we recommend they are adopted and the ERL pass/fail criterion is set based on these changed parameters.



Host Tx and system performance

136.9.3.4 Transmitter effective return loss (ERL)

ERL of the transmitter at TP2 is computed using the procedure in 93A.5 with the values in Table 136–13. Parameters that do not appear in Table 136–13 take values from Table 136–18. The value of T_{fx} is twice the delay associated with the TP2 test fixture being used. N_{bx} is set to the value of N_b in Table 136–18.

Comment

In table 136-13 page 226 change beta x to 1.7 and rho_x to 0.3

Table 136–13—Transmitter and receiver ERL parameter values

Parameter	Symbol	Value	Units
Transition time associated with a pulse	T_r	0.0189	ns
Incremental available signal loss factor	β_x	10.7	GHz
Permitted reflection from a transmission line external to the device under test	ρ_x	0.44	—
Length of the reflection signal	N	300	—

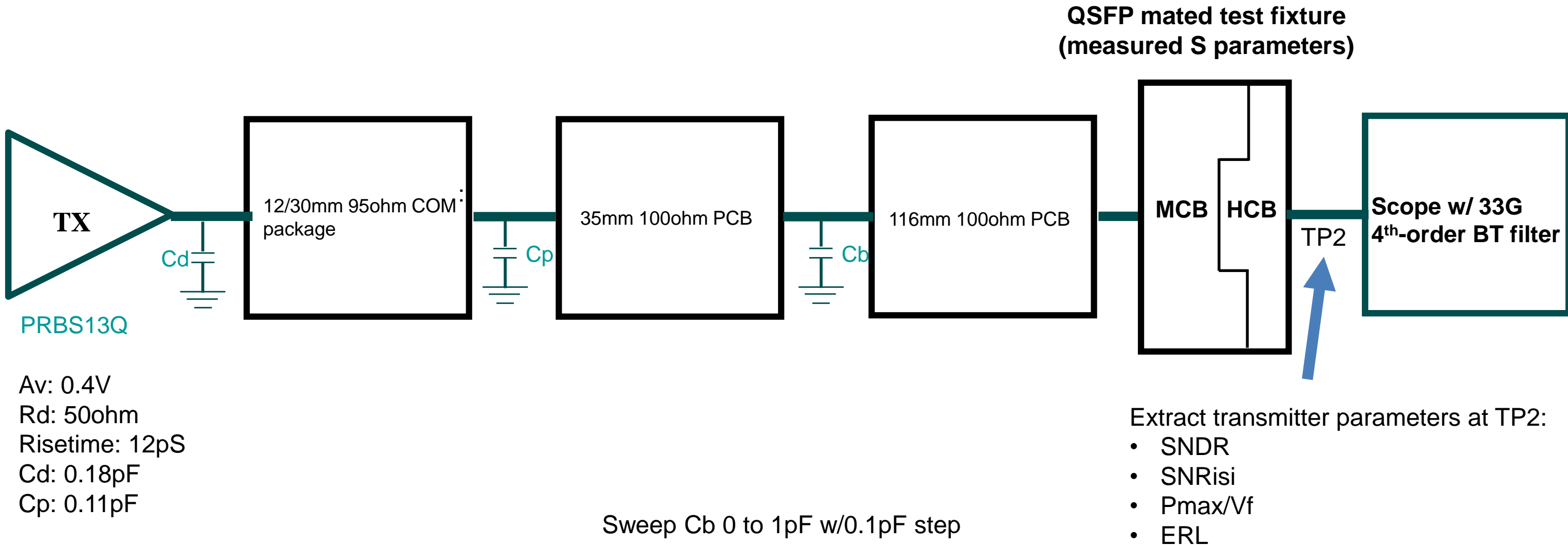
Transmitter ERL at TP2 shall meet Equation (136–6).

$$ERL \geq 8 + 40 \log_{10} \left(\frac{v_f}{\max_k (p(k))} \right) \quad (\text{dB}) \quad (136-6)$$

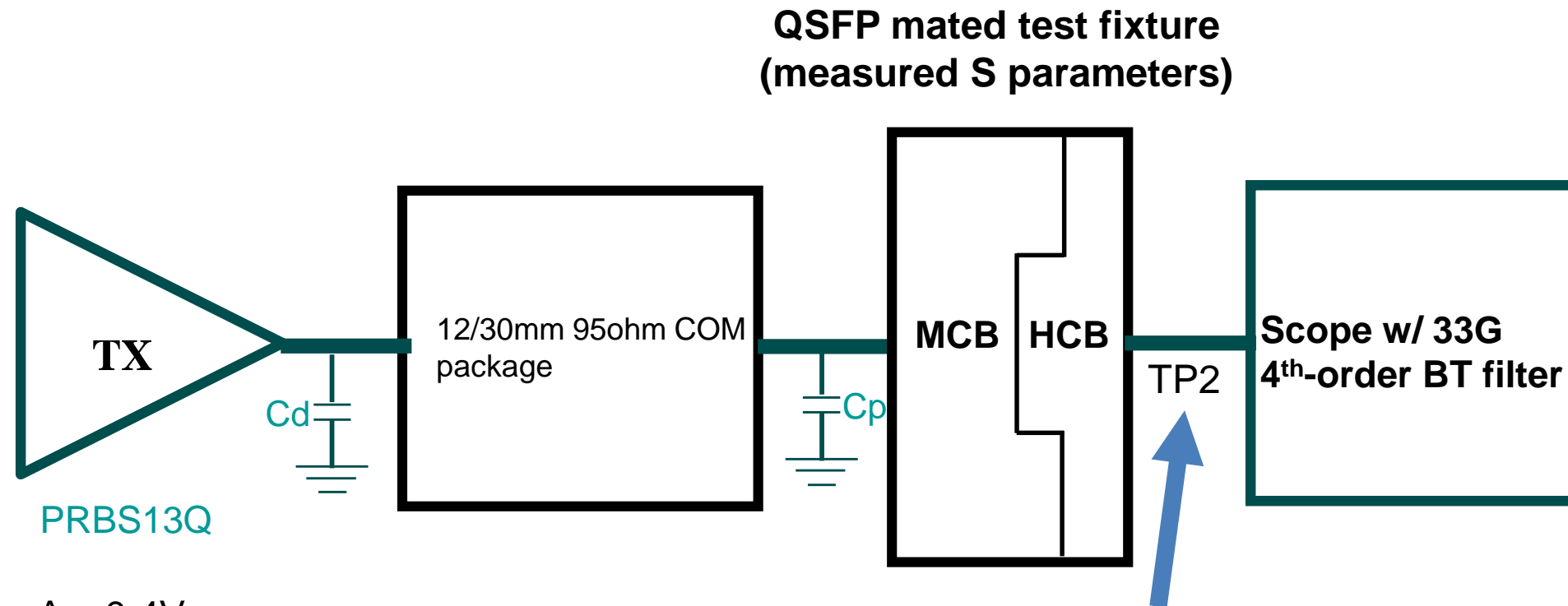
Where

- v_f is the steady-state voltage, defined in 136.9.3.1.2
- $p(k)$ is the linear fit pulse at preset 1 (no equalization) (see 136.9.3.1.2)

Transmitter parameters at TP2



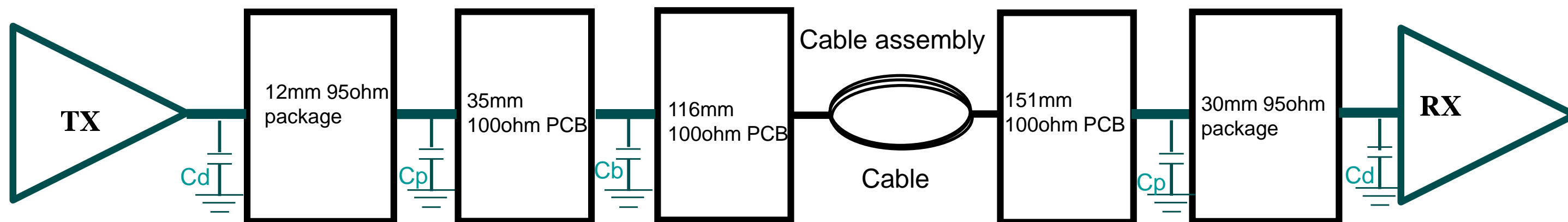
Transmitter parameters at TP2 w/o host trace



Av: 0.4V
Rd: 50ohm
Risetime: 12pS
Cd: 0.18pF
Cp: 0.11pF

Extract transmitter parameters at TP2:

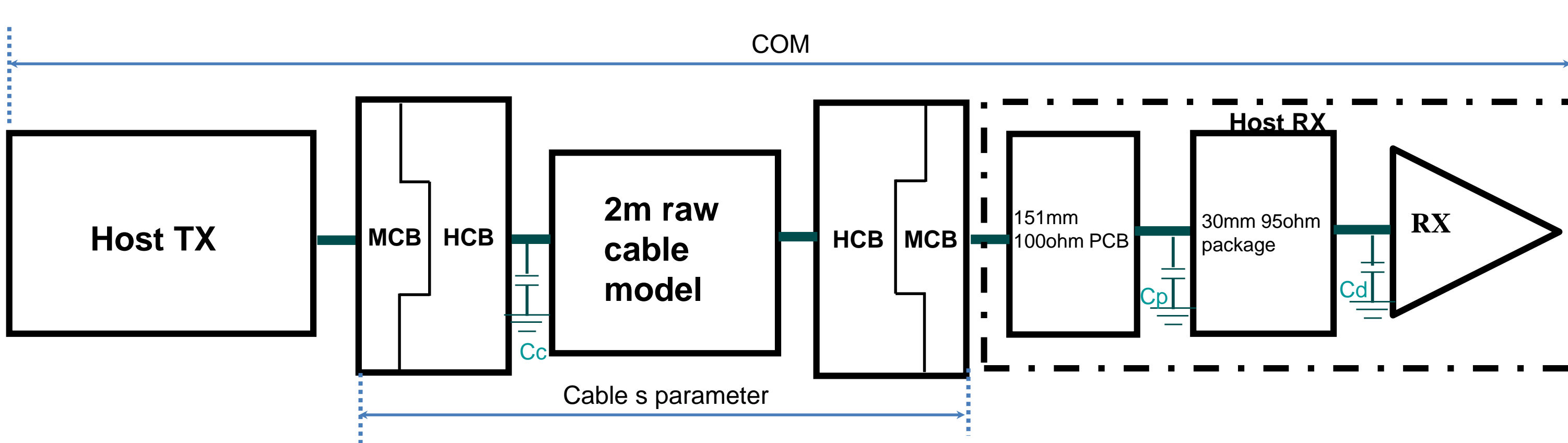
- SNDR
- SNR_{isi}
- P_{max}/V_f
- ERL



A_v : 0.415V
 A_{fe} : 0.415V
 A_{ne} : 0.604V
 R_d : 50ohm
 C_d : 0.18pF
 C_p : 0.11pF

Thru channel includes C_b on TX host trace. XTALK channels don't include C_b .
 Run COM by sweeping C_b 0 to 1.0pF w/0.1pF step
 Other parameters refer to table 136-15

COM for Cavium CA2



Av: 0.415V
Afe: 0.415V
Ane: 0.604V
Rd: 50ohm
Cd: 0.18pF
Cp: 0.11pF
Cc: 0.27pF

D3.2: rho=0.44 beta_x=10.7 N=300 Grr_limit=1

Hosts	Cb(pF)	Pmax/Vf	SNRisi(dB)	ERL22(dB)	ERL+ 40LOG10(pma x/vf) (dB)	COM TE (dB)	COM FCI (dB)	COM CAVIUM CA2 (dB)
12mm TX pkg+ 151mm host + Mated QSFP test fixture	0.00	0.51	34.27	21.87	10.24	4.58	4.21	3.89
	0.10	0.51	32.76	20.96	9.20	4.11	4.00	3.49
	0.20	0.50	30.13	19.18	7.07	3.39	3.45	2.88
	0.30	0.48	28.09	17.63	5.02	2.63	2.75	2.09
	0.40	0.47	26.39	16.41	3.26	1.88	1.95	1.33
	0.50	0.45	25.32	15.39	1.67	1.17	1.19	0.56
30mm TX pkg + 151mm host + Mated QSFP test fixture	0.00	0.48	32.18	22.19	9.44	4.19	3.70	3.56
12mm TX pkg + Mated QSFP test fixture	0.00	0.72	27.78	16.22	10.56	5.16	6.14	3.72
30mm TX pkg + Mated QSFP test fixture	0.00	0.67	28.99	17.00	10.09	5.10	5.80	3.92

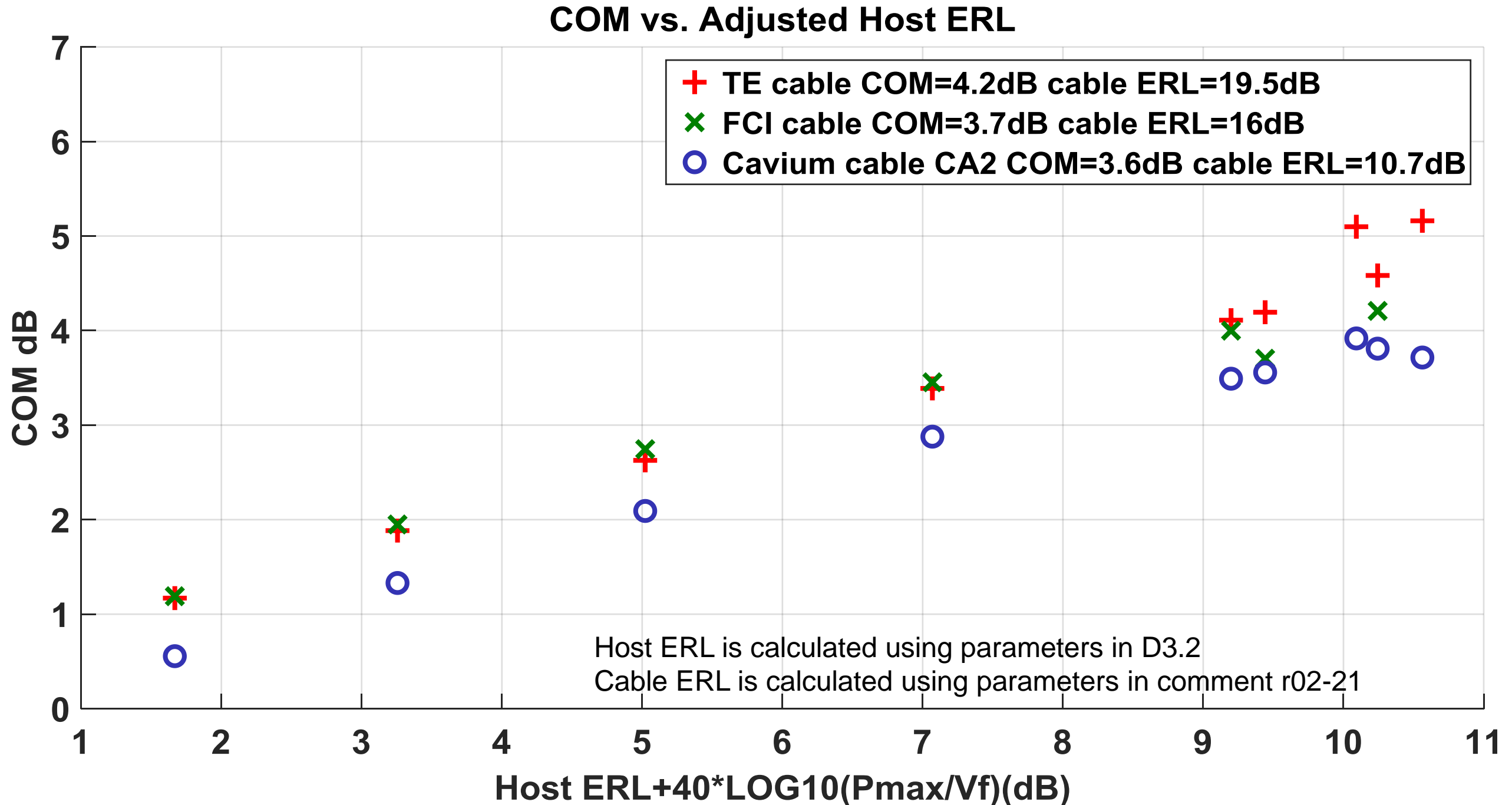
This is the Standard 30mm COM configuration

D3.2 comment: rho=0.3 beta_x=1.7 N=300 Grr_limit=1

Hosts	Cb(pF)	Pmax/Vf	SNRisi(dB)	ERL22(dB)	ERL+ 40LOG10(pmax /vf) (dB)	COM TE (dB)	COM FCI (dB)	COM CAVIUM CA2 (dB)
12mm TX pkg+ 151mm host + Mated QSFP test fixture	0.00	0.51	34.27	18.90	7.27	4.58	4.21	3.89
	0.10	0.51	32.76	17.81	6.04	4.11	4.00	3.49
	0.20	0.50	30.13	15.83	3.72	3.39	3.45	2.88
	0.30	0.48	28.09	14.16	1.56	2.63	2.75	2.09
	0.40	0.47	26.39	12.84	-0.31	1.88	1.95	1.33
	0.50	0.45	25.32	11.82	-1.90	1.17	1.19	0.56
30mm TX pkg + 151mm host + Mated QSFP test fixture	0.00	0.48	32.18	19.27	6.52	4.19	3.70	3.56
12mm TX pkg + Mated QSFP test fixture	0.00	0.72	27.78	12.69	7.03	5.16	6.14	3.72
30mm TX pkg + Mated QSFP test fixture	0.00	0.67	28.99	13.52	6.61	5.10	5.80	3.92

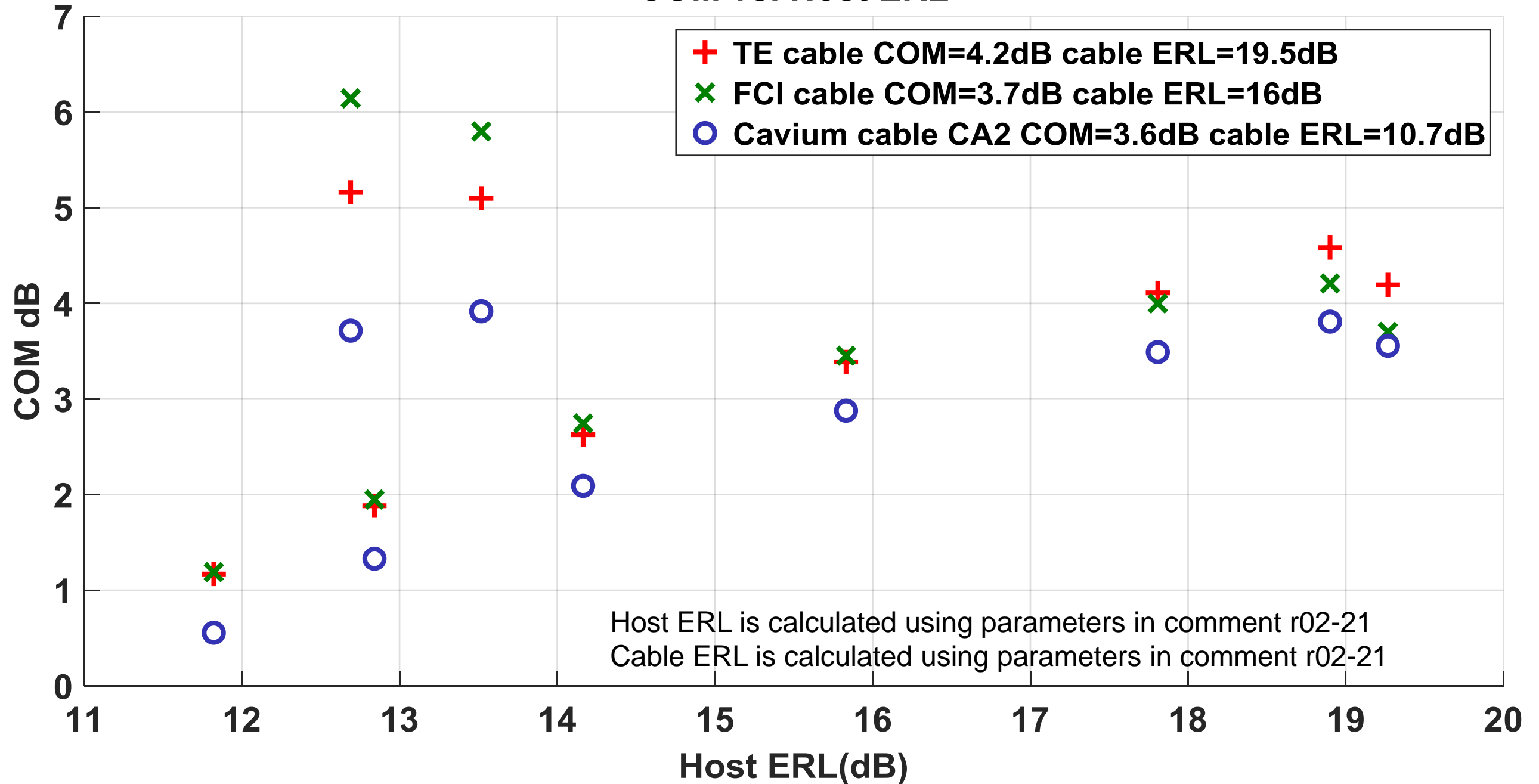
This is the Standard 30mm COM configuration

COM vs. Adjusted Host ERL (d3.2: rho=0.44 beta_x=10.7 N=300 Grr_limit=1) Original slide per spreadsheet on slide 14



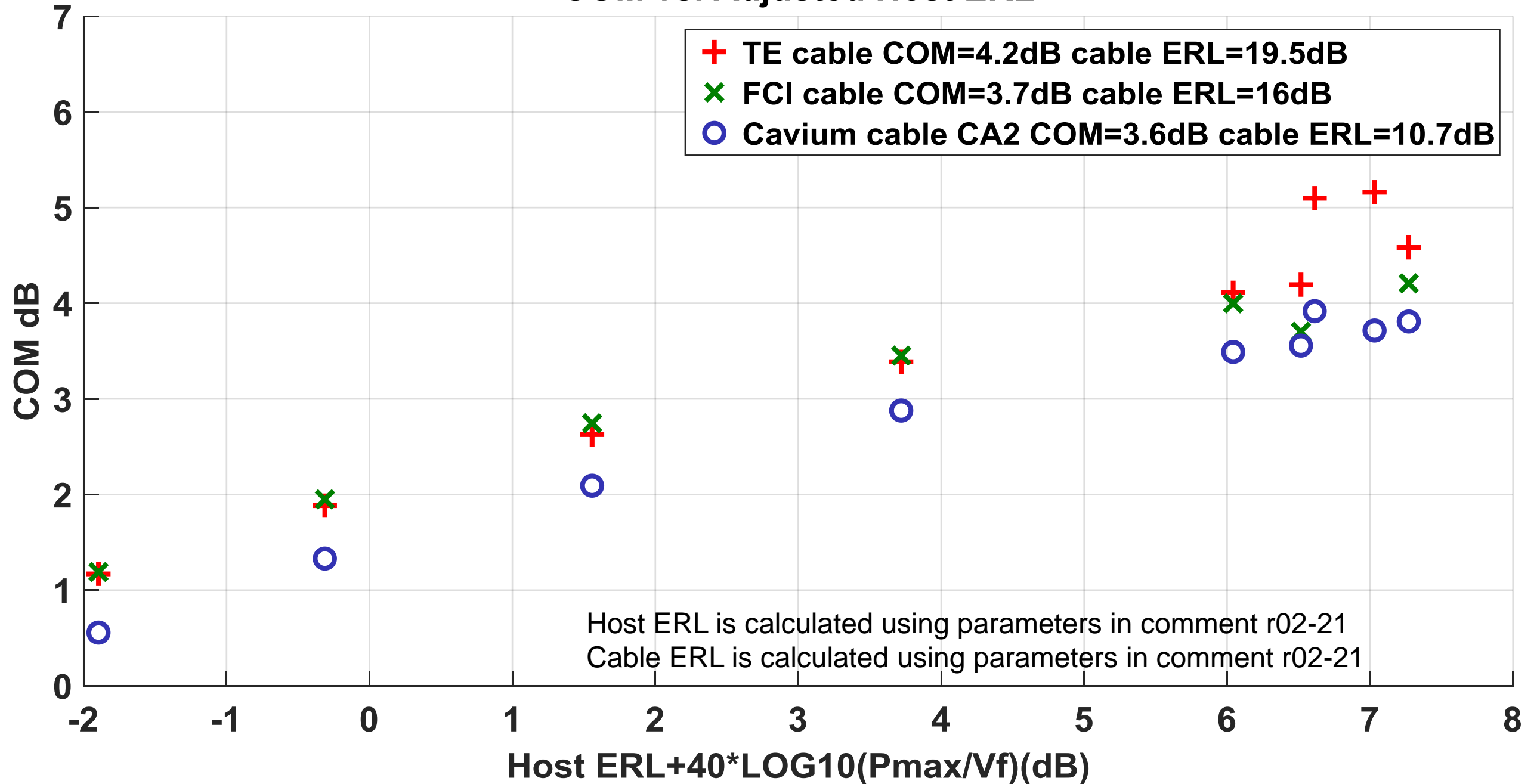
COM vs. Host ERL (comment: rho=0.3 beta_x=1.7 N=300 Grr_limit=1) Original slide per spreadsheet on slide 14

COM vs. Host ERL

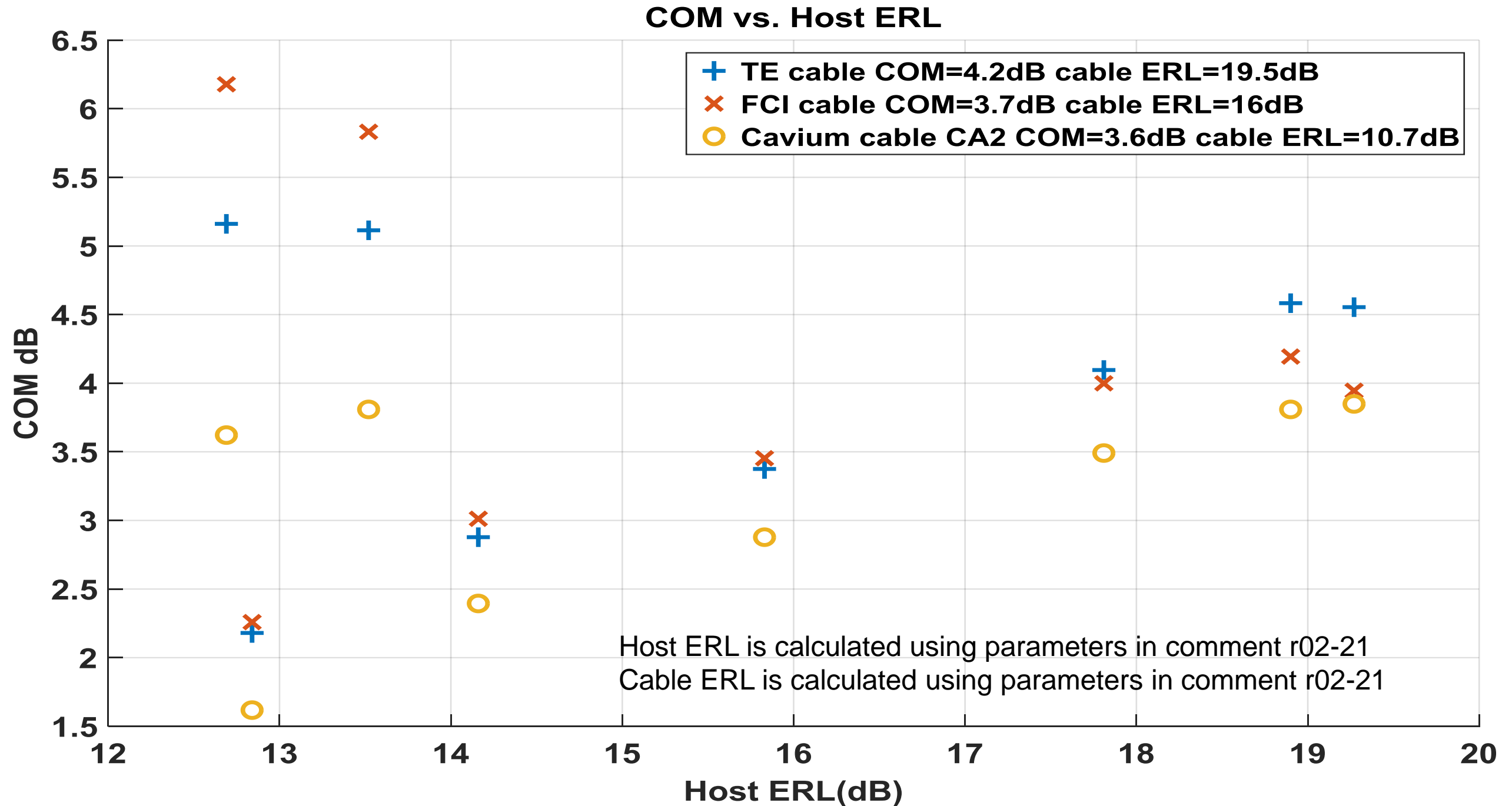


COM vs. adjusted Host ERL (comment: rho=0.3 beta_x=1.7 N=300 Grr_limit=1) Original slide per spreadsheet on slide 14

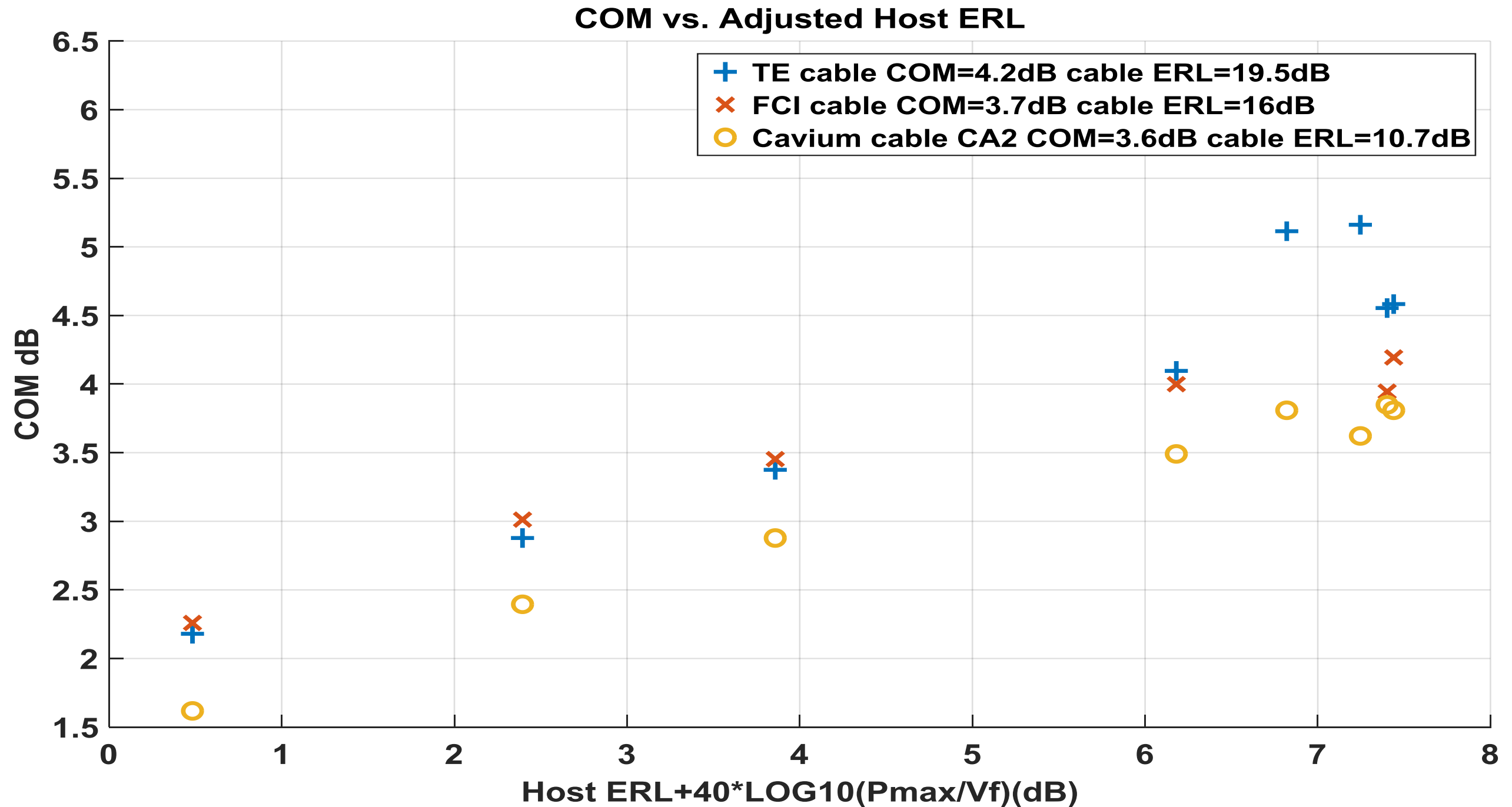
COM vs. Adjusted Host ERL



COM vs. Host ERL (comment: rho=0.3 beta_x=1.7 N=300 Grr_limit=1) All points meet Pmax/Vf spec



COM vs. adjusted Host ERL (comment: rho=0.3 beta_x=1.7 N=300 Grr_limit=1) All points meet Pmax/Vf spec



Conclusions on host Tx.

- **The proposed changes to the ERL parameters result in different ERL values (approximately 3dB lower). There are technical justifications for the changes and we recommend they are accepted but the ERL pass/fail limit needs to be adjusted.**
- **The short hosts provide good system performance on these cables and are a likely implementation. They should pass the Tx specification.**
- **The long host with the Cb capacitance at 0.3pF provides bad system performance on all these cables (and particularly CaviumCA2). It should fail the Tx specification.**
- **It has been proposed that the specification should be a single value of ERL, a single value of SNR_{Risi} or a combination of a single value of ERL plus a single value of SNR_{Risi} however no single values for these parameters exists that will not have false passes or false fails with these hosts.**

Proposal.

- **The new ERL parameters should be adopted.**
- **A specification of $ERL \geq 4dB - 40 * \text{Log}_{10}(P_{max}/V_f)$ should then be adopted.**
- **Note that it has been suggested that it is inconvenient having this combined specification as ERL is generally measured with a VNA and post processing and P_{max}/V_f is measured with an oscilloscope and post processing. With this specification however test engineering could choose to use fixed pass/fail values for the testing of their product depending on the product type with a choice of paired values. E.g.**
 - $P_{max}/V_f \geq 0.49$ $ERL \geq 16.4$
 - $P_{max}/V_f \geq 0.55$ $ERL \geq 14.4$
 - $P_{max}/V_f \geq 0.63$ $ERL \geq 12.0$



Host Rx

- **Degradations caused by reflections within the host Rx are present during the interference tolerance test therefore they have to be compensated by the receiver having better other performance. (e.g. can work with lower COM).**
- **The improved Rx performance required for reflections within the host Rx is somewhat similar to requiring higher P_{max}/V_f when the ERL is poorer.**
- **ERL is required to limit reflections from the host Rx that are re-reflected by the cable.**
- **A fixed ERL of 12dB (with the revised ERL parameters) is proposed for the Rx.**

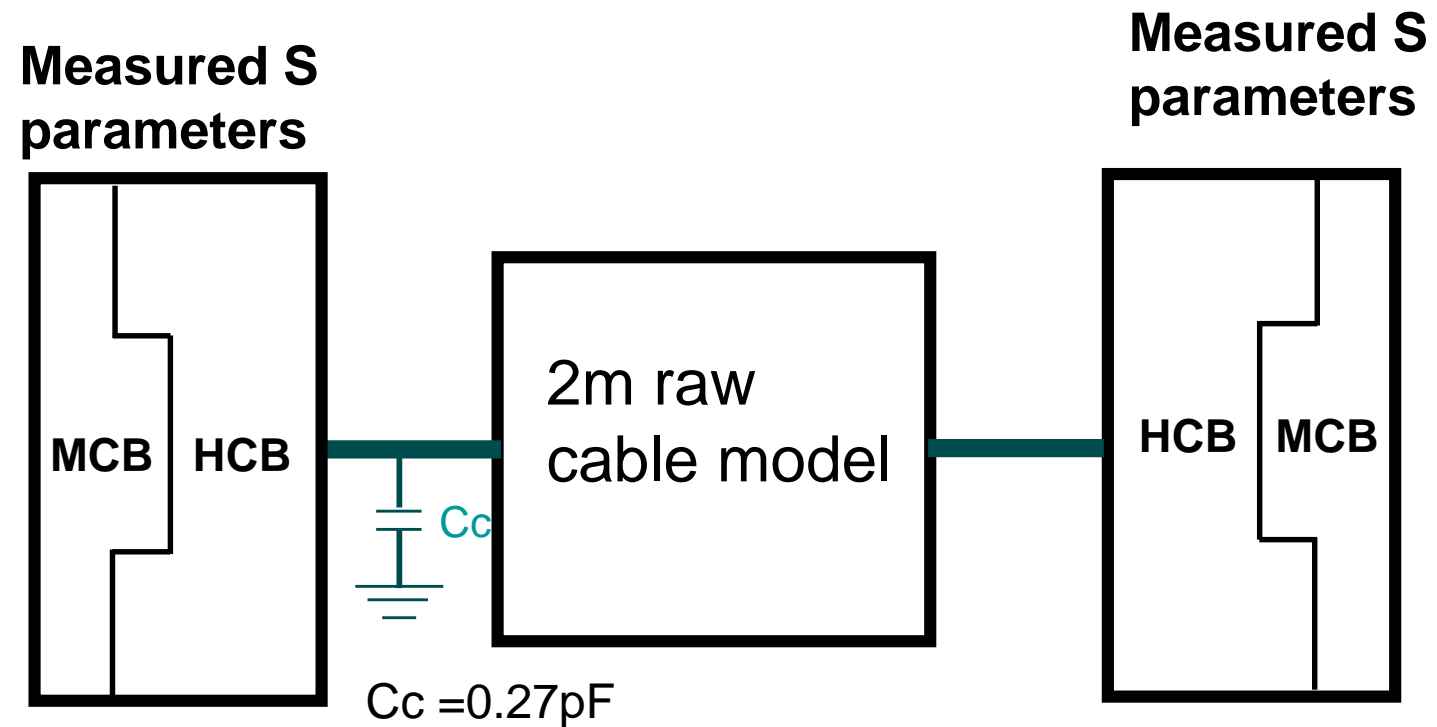


Back-up



Cable creation.

Block diagram of cable assembly CaviumCA2

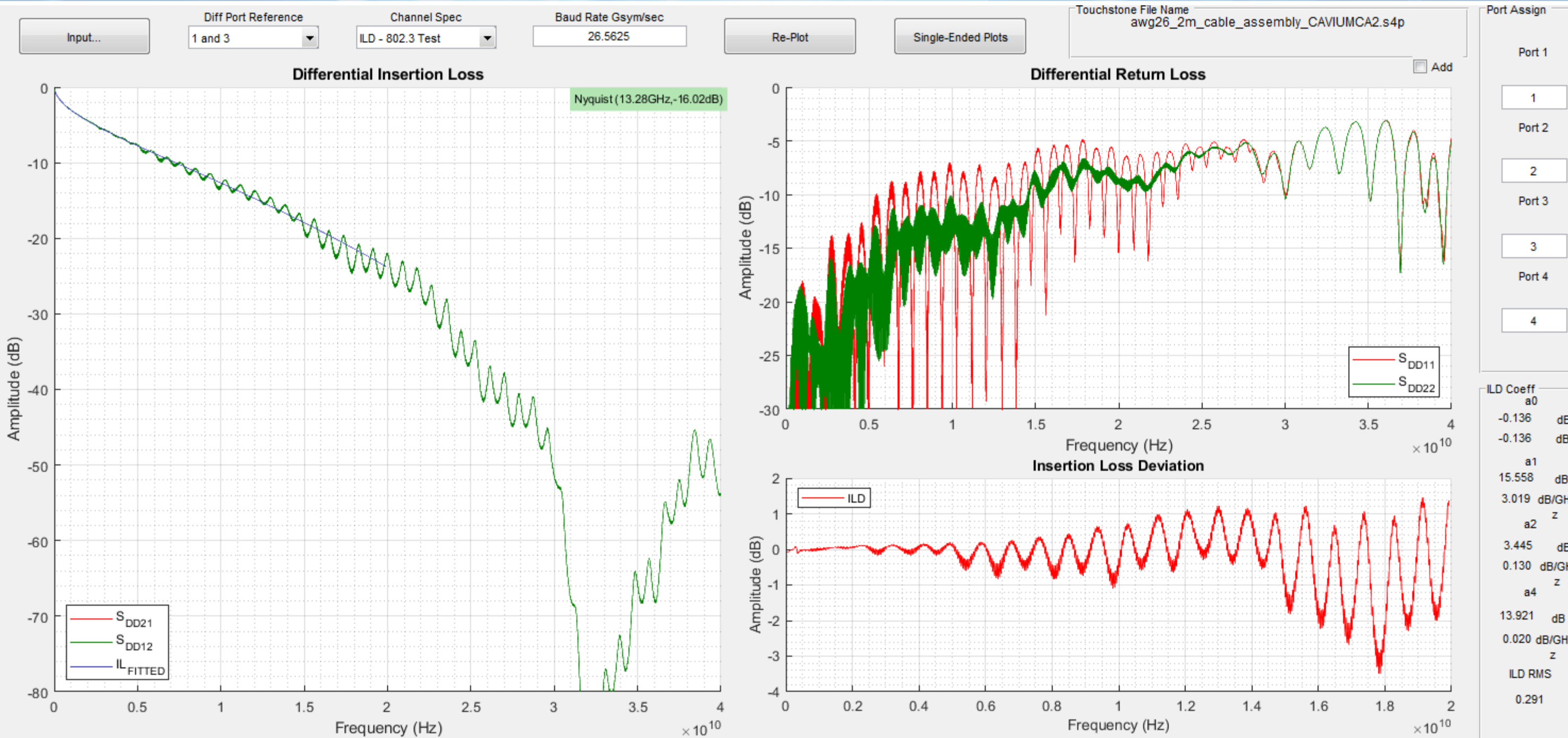


The raw cable model uses the transmission line model in Clause 93A with parameters provided by Rich Mellitz for a 26AWG cable.

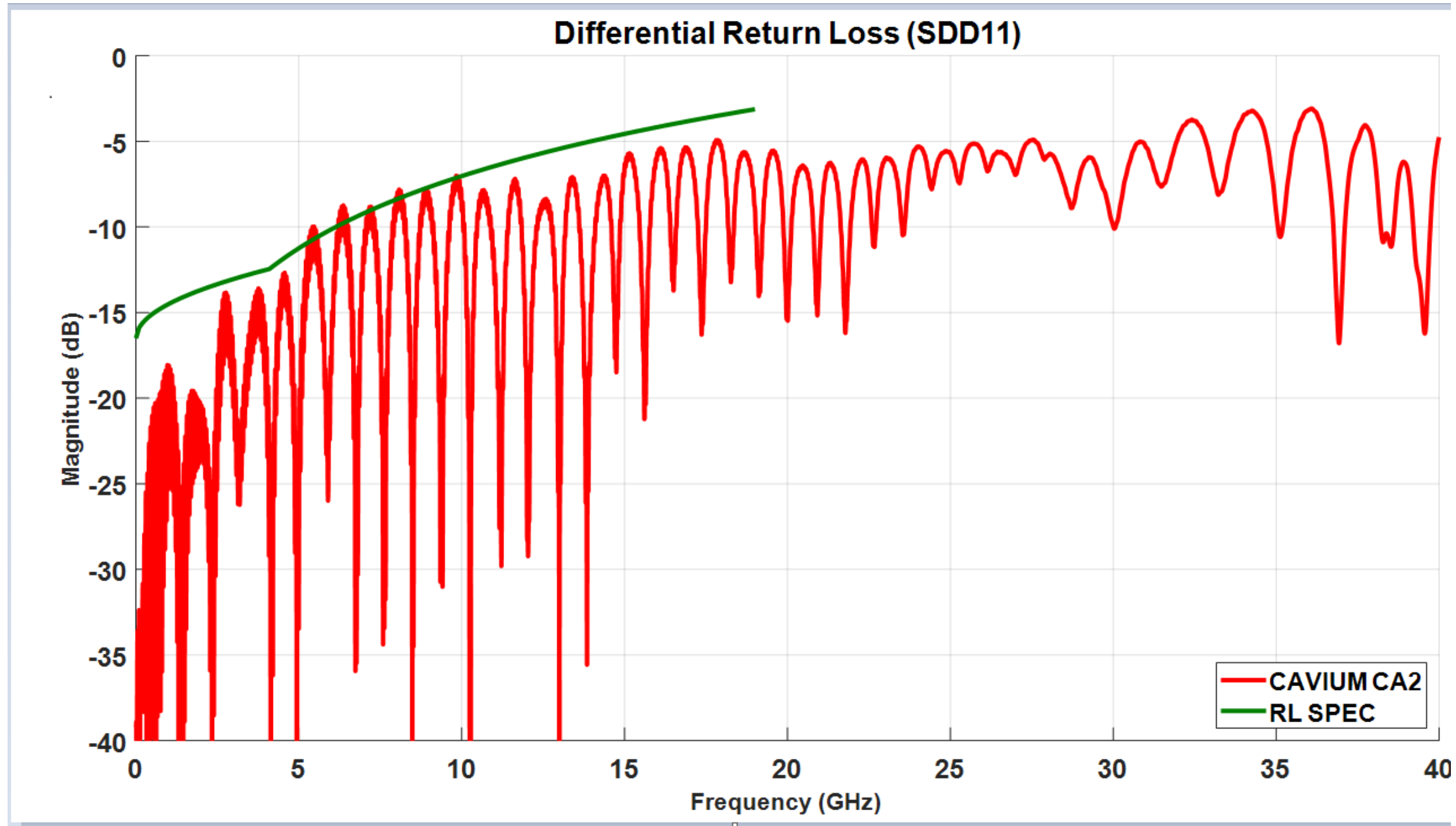


Cable Frequency Domain Performance

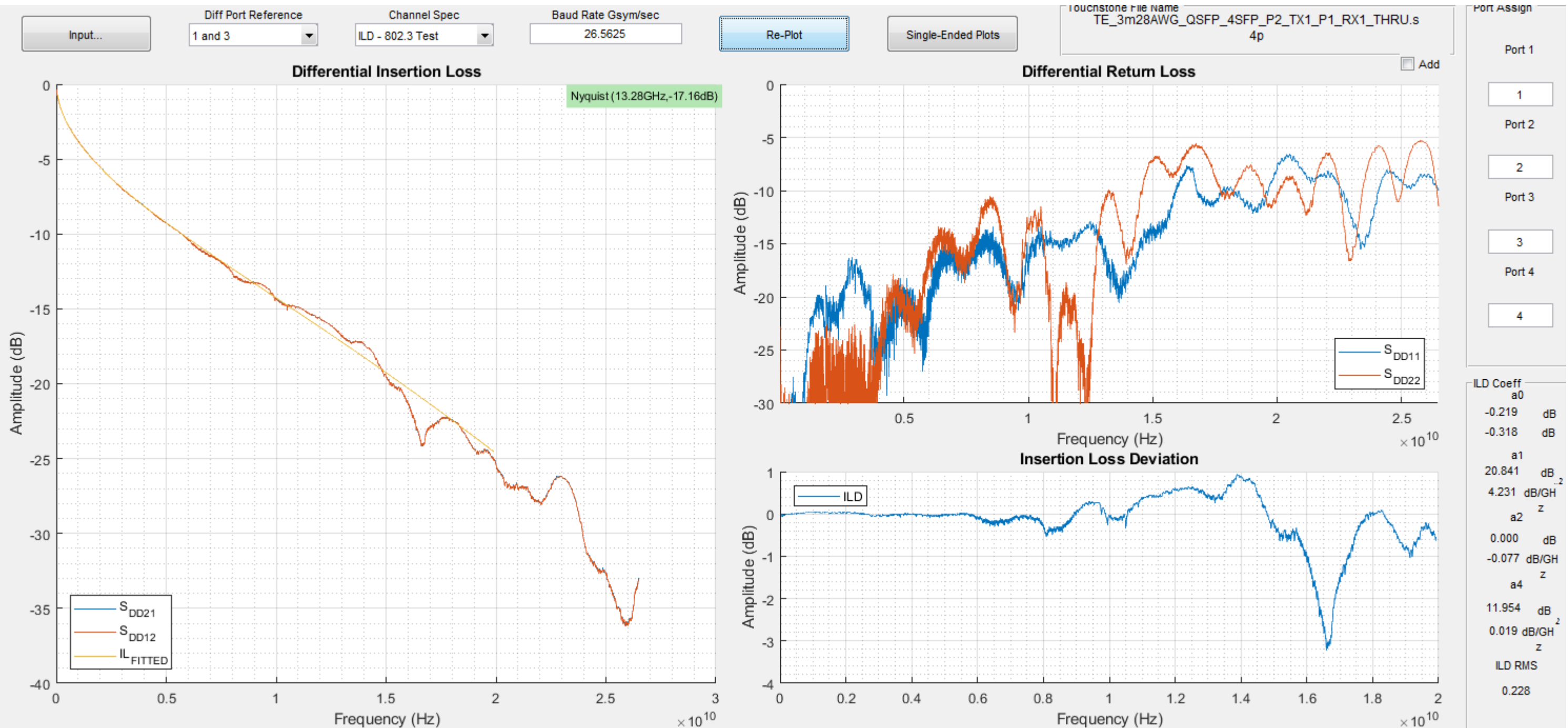
CaviumCA2 cable



CaviumCA2 cable (ERL 10.7dB using new parameters) comparison to draft 3.2 informative return loss 92.10.3.



TE cable



FCI cable





Some information on Clause 137 Device

137.9.2.1 Transmitter ERL

ERL of the transmitter at TP0a is computed using the procedure in 93A.5 with the values in Table 137–5. Parameters that do not appear in Table 137–5 take values from Table 137–6. The value of T_{fx} is twice the delay from TP0 to TP0a. N_{bx} is set to the value of N_b in Table 137–6.

Comment

Table 137–5—Transmitter and receiver ERL parameter values

In table 137-5 page 249 change beta x to 1.7 and rho_x to 0.32

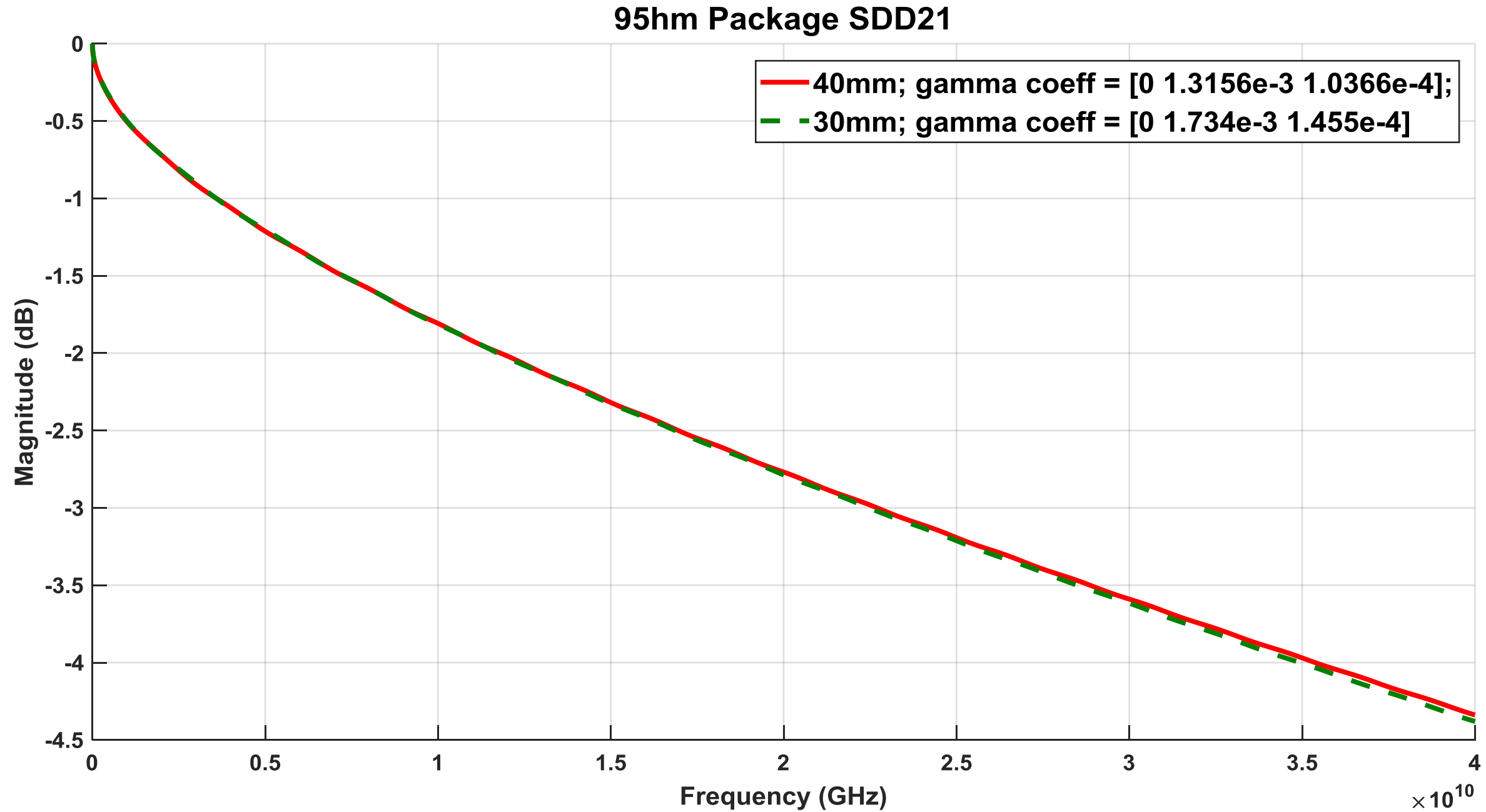
Parameter	Symbol	Value	Units
Transition time associated with a pulse	T_r	0.0189	ns
Incremental available signal loss factor	β_x	10.7	GHz
Permitted reflection from a transmission line external to the device under test	ρ_x	0.44	—
Length of the reflection signal	N	100	—

Transmitter ERL at TP0a shall be greater than or equal to 16.1 dB.

Investigation of the effect of package length on ERL and SNR_{Risi}

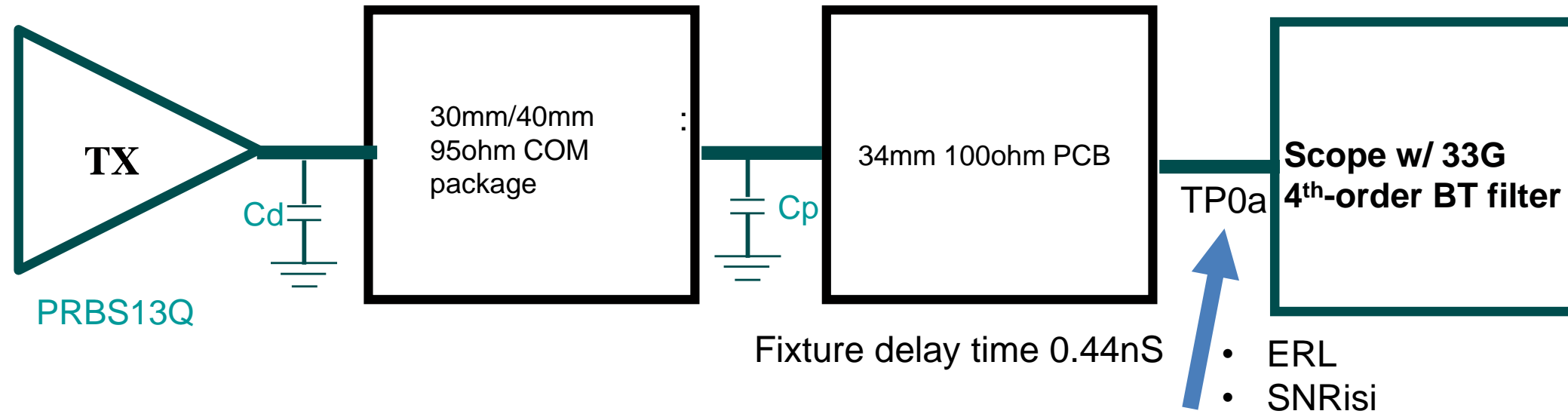
- **The 30mm package is the standard COM model package.**
- **The values of the parameters in the transmission line model were modified to create a 40mm package with the same insertion loss.**
- **ERL and SNR_{Risi} were measured for both packages.**

30mm and 40mm TX packages



Transmitter parameters at TP2

A_v : 0.4V
 R_d : 50ohm
 Risetime: 12pS
 C_d : 0.18pF
 C_p : 0.11pF



Channels	ERL D3.2	ERL Comment
pkg30mm_tp0_tp0a	19.188	21.917
pkg40mm_tp0_tp0a	15.831	15.551

Channels	Risetime (pS)	Sigma-e(mV)	Vf(V)	Pmax(V)	Differential peak to peak voltage(V)	Pmax/Vf	SNRisi(dB)	SNDR(sigma-n=0)(dB)	Sigm-n(SNDR 33.3dB) (dB)
pkg30mm_tp0_tp0a	19.205	0.048	0.388	0.324	0.785	0.835	52.256	76.573	7.011
pkg40mm_tp0_tp0a	19.051	0.047	0.389	0.324	0.786	0.833	34.182	76.815	7.009

COM config

Table 93A-1 parameters				I/O control			Table 93A-3 parameters		
Parameter	Setting	Units	Information				Parameter	Setting	Units
f_b	26.5625	GBd		DIAGNOSTICS	1	logical	package_tl_gamma0_a1_a2	[0 1.734e-3 1.455e-4]	
f_min	0.05	GHz		DISPLAY_WINDOW	1	logical	package_tl_tau	6.141E-03	ns/mm
Delta_f	0.01	GHz		CSV_REPORT	1	logical	package_Z_c	95	Ohm (tdr sel)
C_d	[1.8e-4 1.8e-4]	nF	[TX RX]	RESULT_DIR	.\results\KR_50G_{date}\				
z_p select	[2]		[test cases to run]	SAVE_FIGURES	0	logical			
z_p (TX)	[12 30]	mm	[test cases]	Port Order	[1 3 2 4]				
z_p (NEXT)	[12 12]	mm	[test cases]	RUNTAG	KR_50G_PAM4				
z_p (FEXT)	[12 30]	mm	[test cases]	Receiver testing			Table 92-12 parameters		
z_p (RX)	[12 30]	mm	[test cases]	RX_CALIBRATION	0	logical	board_tl_gamma0_a1_a2	[0 4.114e-4 2.547e-4]	
C_p	[1.1e-4 1.1e-4]	nF	[TX RX]	Sigma BBN step	5.00E-03	V	board_tl_tau	6.191E-03	ns/mm
R_0	50	Ohm		IDEAL_TX_TERM	0	logical	board_Z_c	110	Ohm
R_d	[50 50]	Ohm	[TX RX] or selected	T_r	0.012	ns	z_bp (TX)	151	mm
f_r	0.75	*fb		FORCE_TR	1	logical	z_bp (NEXT)	72	mm
c(0)	0.6		min	Non standard control options			z_bp (FEXT)	72	mm
c(-1)	[-0.25:0.05:0]		[min:step:max]	COM_CONTRIBUTION	0	logical	z_bp (RX)	151	mm
c(-2)	[0:0.025:0.1]		[min:step:max]	TDR	1	logical			
c(1)	[-0.25:0.05:0]		[min:step:max]	ERL	1	logical			
g_DC	[-20:1:0]	dB	[min:step:max]	Z_t	50	ohms			
f_z	10.625	GHz		ERL_ONLY	0	logical			
f_p1	10.625	GHz		TR_TDR	0.0189	ns			
f_p2	53.125	GHz		TDR_duration	10				
A_v	0.415	V	tdr selected	TDR_f_BT_3db	19.921875	GHz			
A_fe	0.415	V	tdr selected	TDR_Butterworth	1	logical			
A_ne	0.604	V	tdr selected	beta_x	10700000000				
L	4			rho_x	0.44				
M	32			fixture delay time	0.00E+00		set to zero for no fixture for KR channel		
N_b	12	UI							
b_max(1)	0.7								
b_max(2..N_b)	0.2								
sigma_RJ	0.01	UI							
A_DD	0.02	UI							
eta_0	1.64E-08	V^2/GHz							
SNR_TX	32.5	dB	tdr selected						
R_LM	0.95								
DER_0	1.00E-04								
Operational control									
COM Pass threshold	3	dB							
ERL Pass threshold	11	dB							
Include PCB	0	Value	0, 1						
g_DC_HP	[-6:1:0]		[min:step:max]						
f_HP_PZ	0.6640625	GHz							

TX PKG 30mm gamma_coeff = [0 1.734e-3 1.455e-4]
 TX PKG 40mm gamma_coeff = [0 1.3156e-3 1.0366e-4]