

Motions

Yan Zhuang

Huawei Technologies

2017 November 9th

Motion#4

- Adopt the style guidelines in remein_3cf_1_1116.pdf slide 5
- Moved: Duane Remein
- Second: Marek Hajduczenia

Procedural (>50%)

Motion Passes by voice without opposition

Motion#5

- Move to accept proposed responses as posted in http://www.ieee802.org/3/cf/comments/802d3cf_D1.2_approved.pdf to create D1.3 from D1.2.
- Moved by: Marek Hajduczenia
- Seconded by: Duane Remein

Technical ($\geq 75\%$)

Motion passes without opposition.

Motion#6

- Move to approve the draft IEEE 802.3 Working Group liaison response in “IEEE_802d3_to_ITU-T-SG-15_1117.docx”, with editorial change license granted to the WG chair.
- Moved by: Duane Remein
- Seconded by: Alan Brown

Technical ($\geq 75\%$)

Motion passes without opposition.

Motion#7

- Move that the IEEE P802.3cf Task Force Chair submit the draft D1.3 of P802.3cf for consideration to proceed to Working Group ballot.
- Moved by: Alan Brown
- Seconded by: Marek Hajduczenia

Technical ($\geq 75\%$)

Motion passes without opposition.

Motion#8

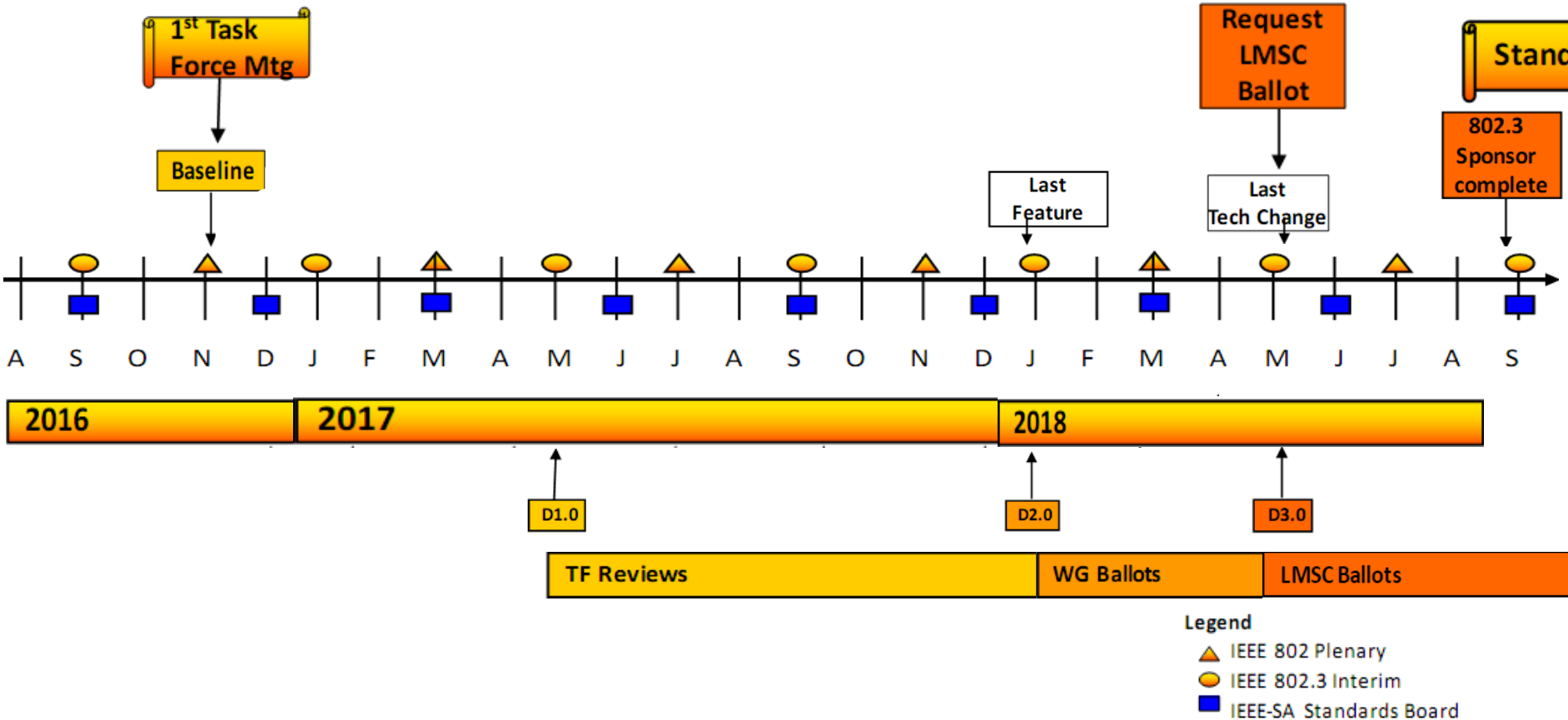
- Motion to adjourn.
- Moved by: Frank Effenberger
- Seconded by: Marek Hajduczenia

Procedural (>50%)

Motion passes without opposition.

Thank you!

Draft Timeline



Draft proposal