

Motions

Yan Zhuang

Huawei Technologies

2017 September 11th

Motion#4

- Move to accept proposed responses with “bucket” Topic as posted in http://www.ieee802.org/3/cf/comments/802d3cf_D1.1_proposed-1.pdf, except for comment #101 processed at the meeting.
- Moved by: Marek Hajduczenia
- Seconded by: Peter Jones

Technical ($\geq 75\%$)

Motion passed by voice vote without opposition.

Motion#5

- Move to adopt the Ethernet Link OAM text specified in <http://www.ieee802.org/3/cf/public/sept17/ieee802-ethernet-link-oam.yang> and <http://www.ieee802.org/3/cf/public/sept17/Mapping for ELO module-v1.1.docx> with editorial license granted to the module author and editor when incorporating to D1.2.
- Move: Marek Hajduczenia
- Second: Peter Jones

Technical $\geq 75\%$

Motion passed by voice without opposition.

Motion#6

- Request the architecture ad hoc to develop a plan to migrate to NMDA module structure for the Nov. meeting.
- Move: Peter Jones
- Second: Marek Hajduczenia

Technical $\geq 75\%$

Passed by voice without opposition.

Motion#7

- Charter Peter Jones to draft a liaison to IETF to ask for timeline, tools for NMDA work to be presented at 802.3 Working Group meeting on Thursday.
- Move: Marek Hajduczenia
- Second: Jeff Lepak

Technical $\geq 75\%$

Passed by voice without opposition.

Motion#8

- Move to approve the resolution of comments against Draft 1.1 as documented in http://www.ieee802.org/3/cf/comments/802d3cf_D1.1_approved-1.pdf. Authorize the editor to produce the draft version 1.2 from draft 1.1 and final comment resolution report.
- Move: Marek Hajduczenia
- Second: Mark Laubach

Technical $\geq 75\%$

Passed by voice without opposition.

Motion#9

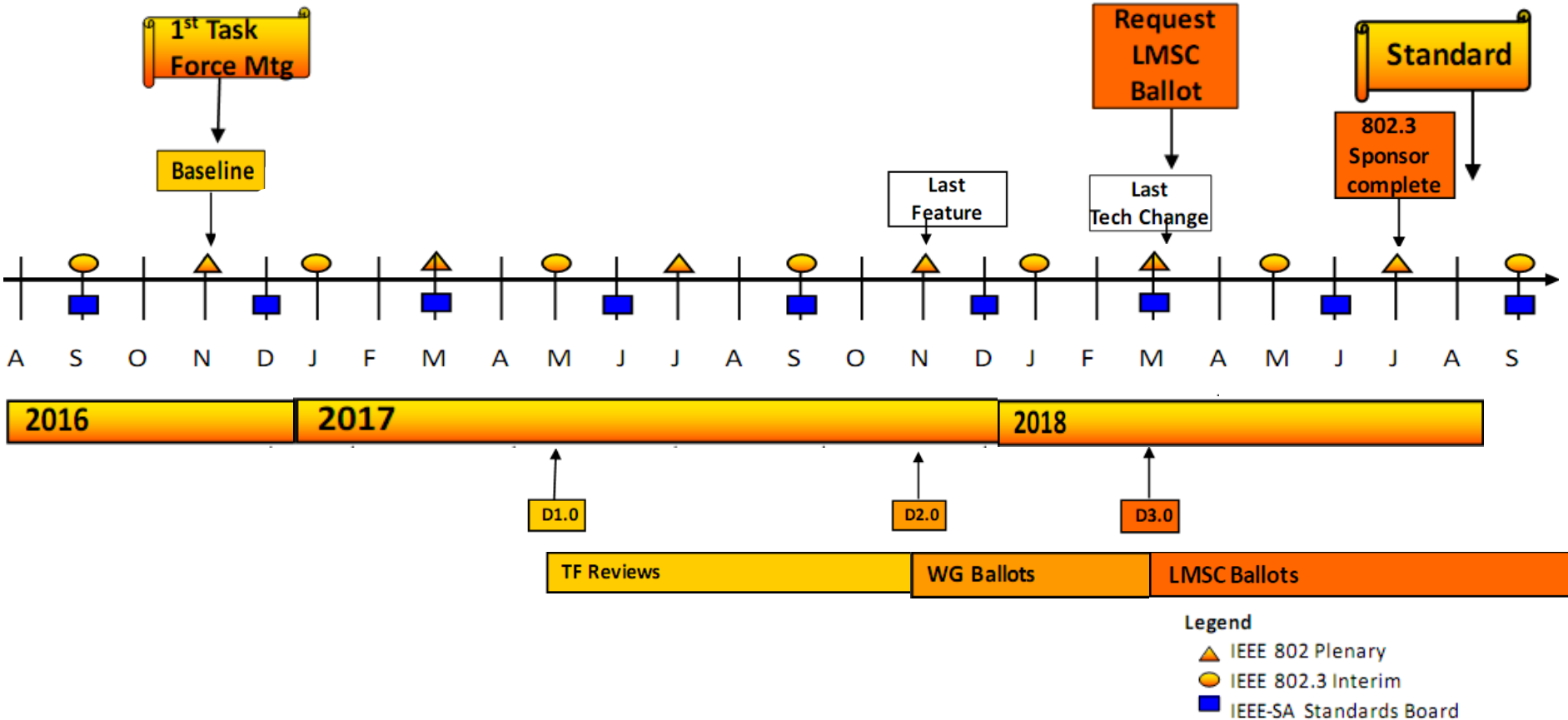
- Direct the Task Force Chair to ensure that updated YANG module text is posted to the Github repository as a part of new version of the draft. In addition, direct the Task Force Chair to ensure comments submitted on the Github repository by the comment deadline are entered into the comment database for the proper draft.
- Move: Peter Jones
- Second: Marek Hajduczenia

Procedural > 50%

Passed by voice without opposition.

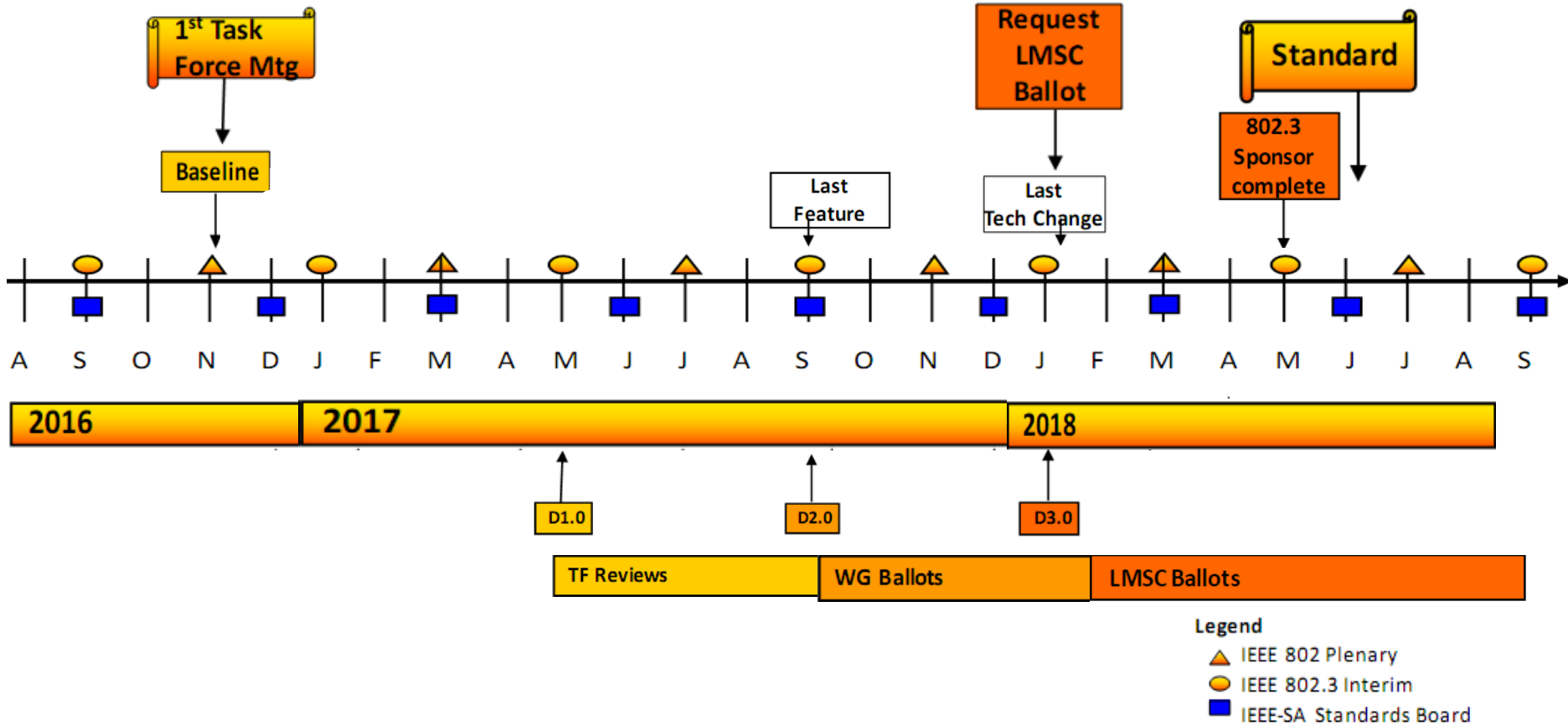
Thank you!

Draft Timeline



Draft proposal

Draft Timeline



Draft proposal