

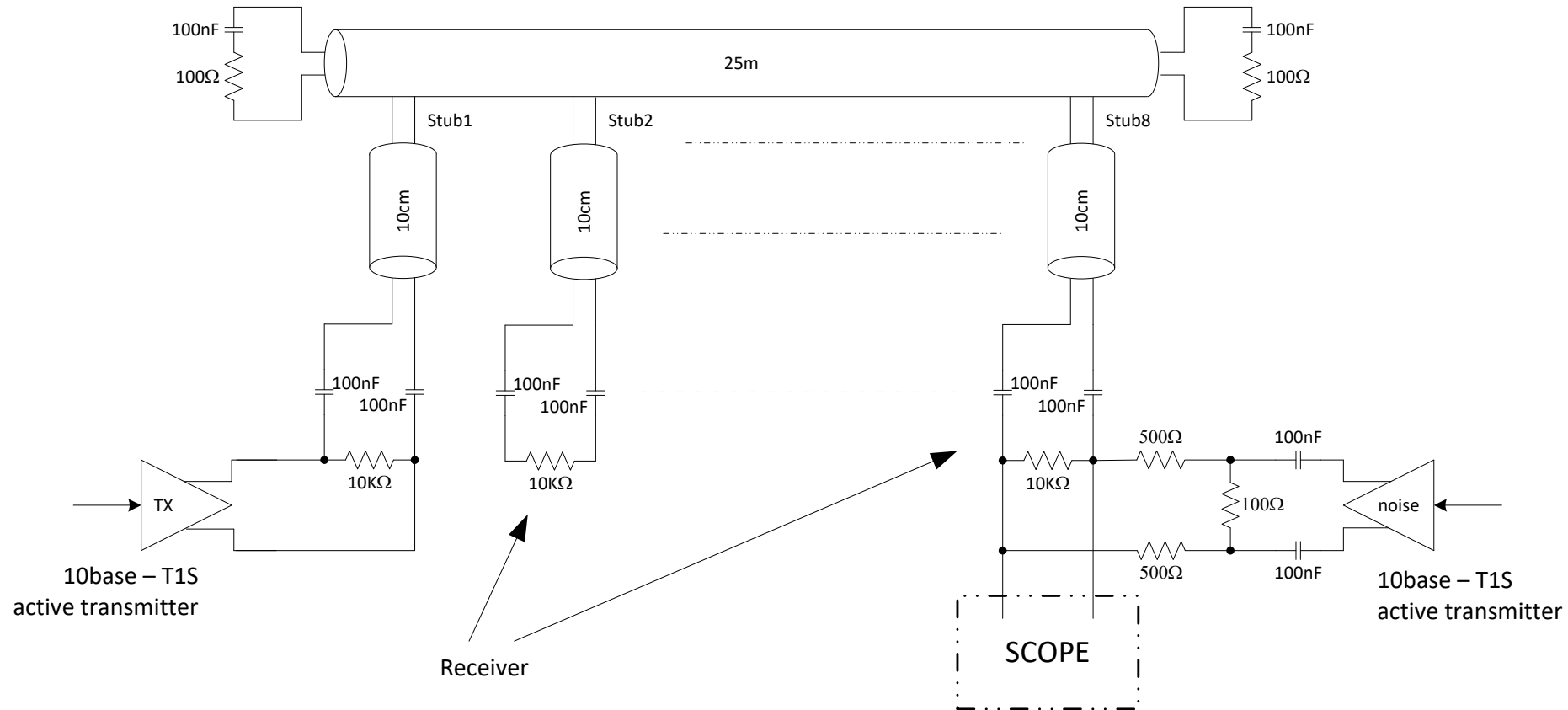


**PIERGIORGIO BERUTO**  
**GIAN MARCO BO**

*IEEE 802.3cg*  
10BASE-T1S minimum PSD mask  
*September 10<sup>th</sup>, 2018*



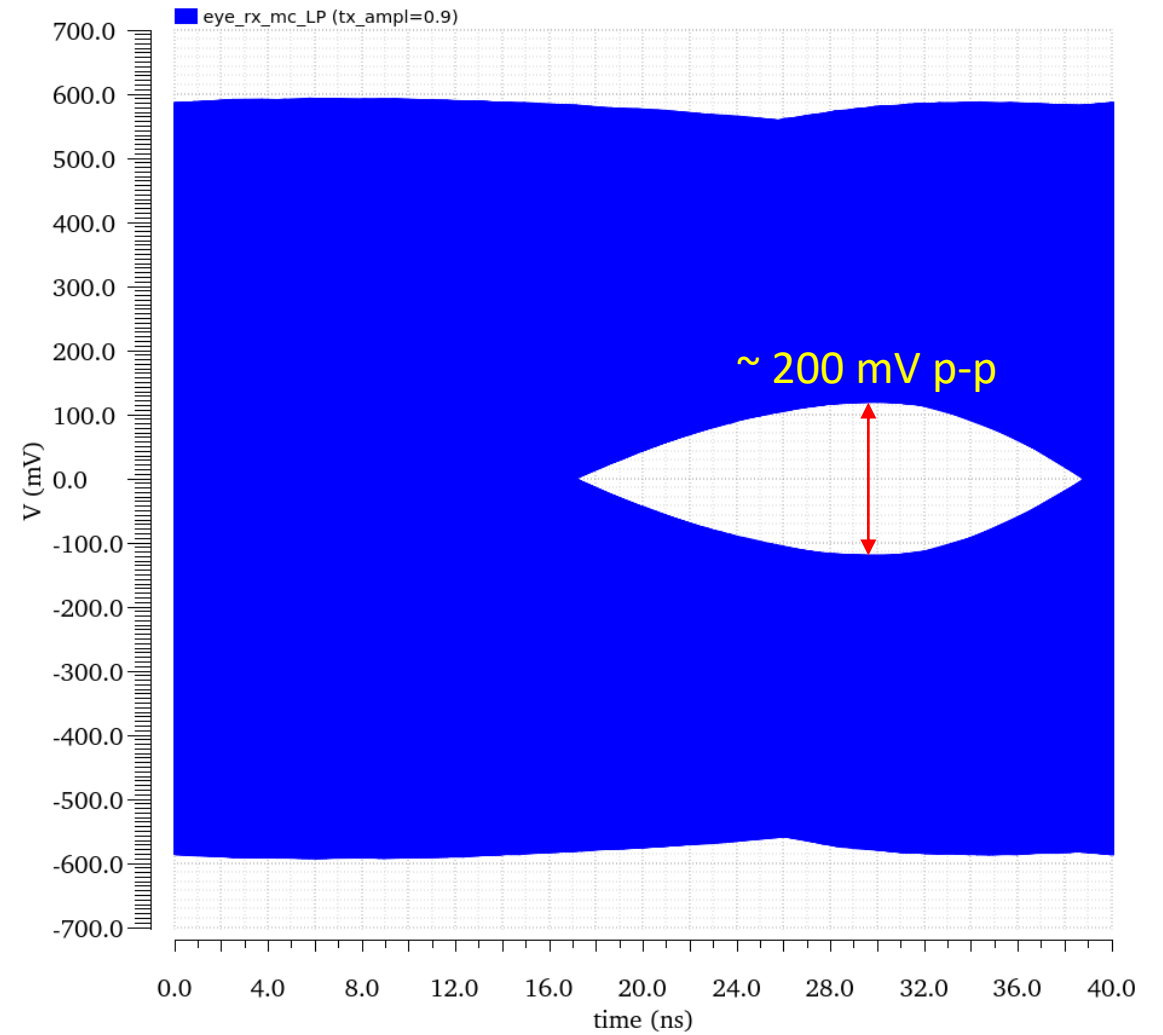
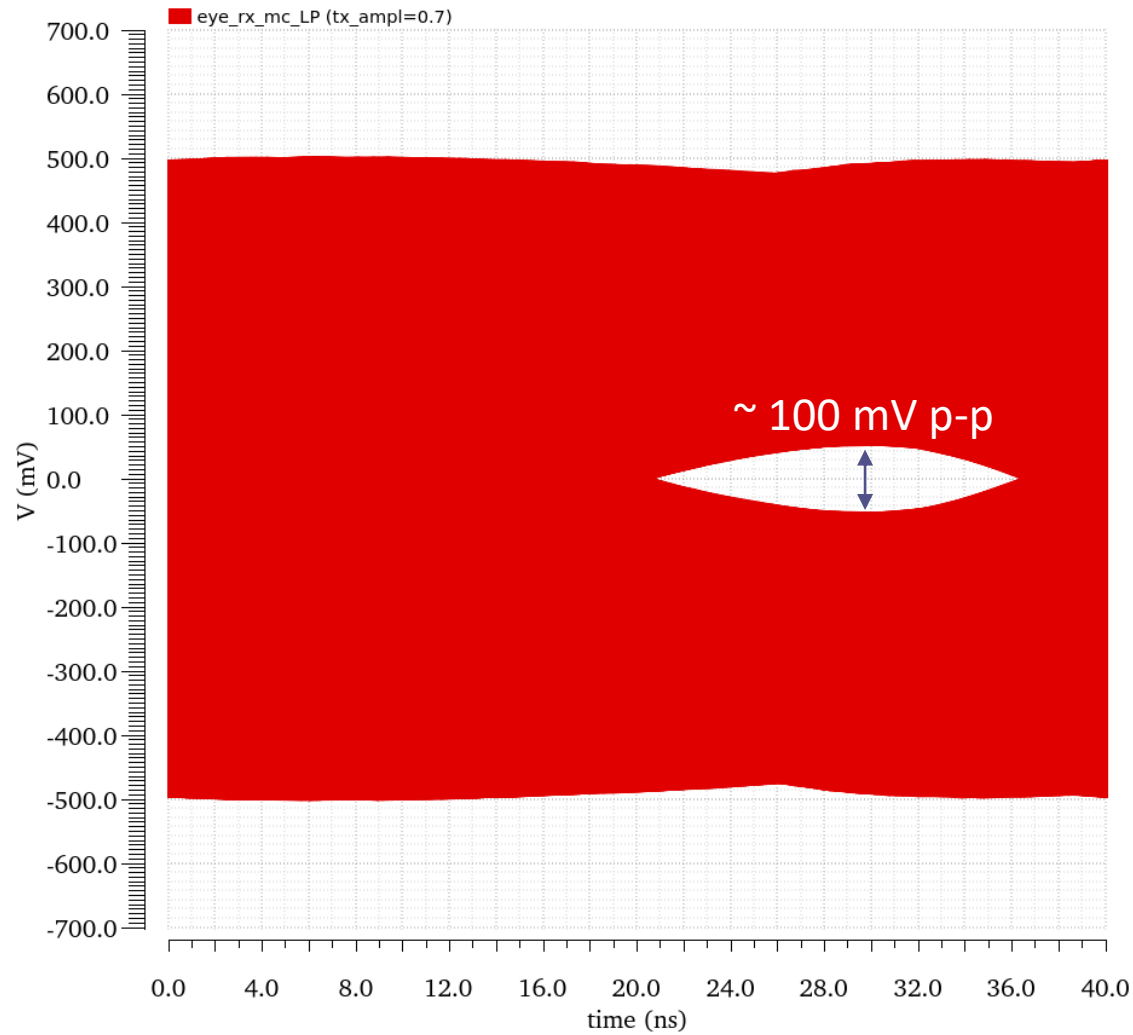
- There have been a lot of discussion in the TF about the upper limit of the PSD mask but not as much for the lower limits.
- Marginalities have been observed under certain conditions when transmitting at lower PSD in presence of automotive environment noise.
- Propose to increase the lower PSD limit by +8db to compensate and gain a safe margin
- See comment #526



- 25 m, 8 Nodes
- $100\Omega \pm 1\%$  line termination resistance
- $50\Omega \pm 20\%$  transmitters (high-Z when silent)
- MC 43dB
- BCI: Severity Class IV :30dBm for 3-200MHz



# Eye Diagram: previous vs proposed min PSD



**THANK YOU!**