



Canova Tech

*The Art of Silicon Sculpting*

**PIERGIORGIO BERUTO**  
**ANTONIO ORZELLI**

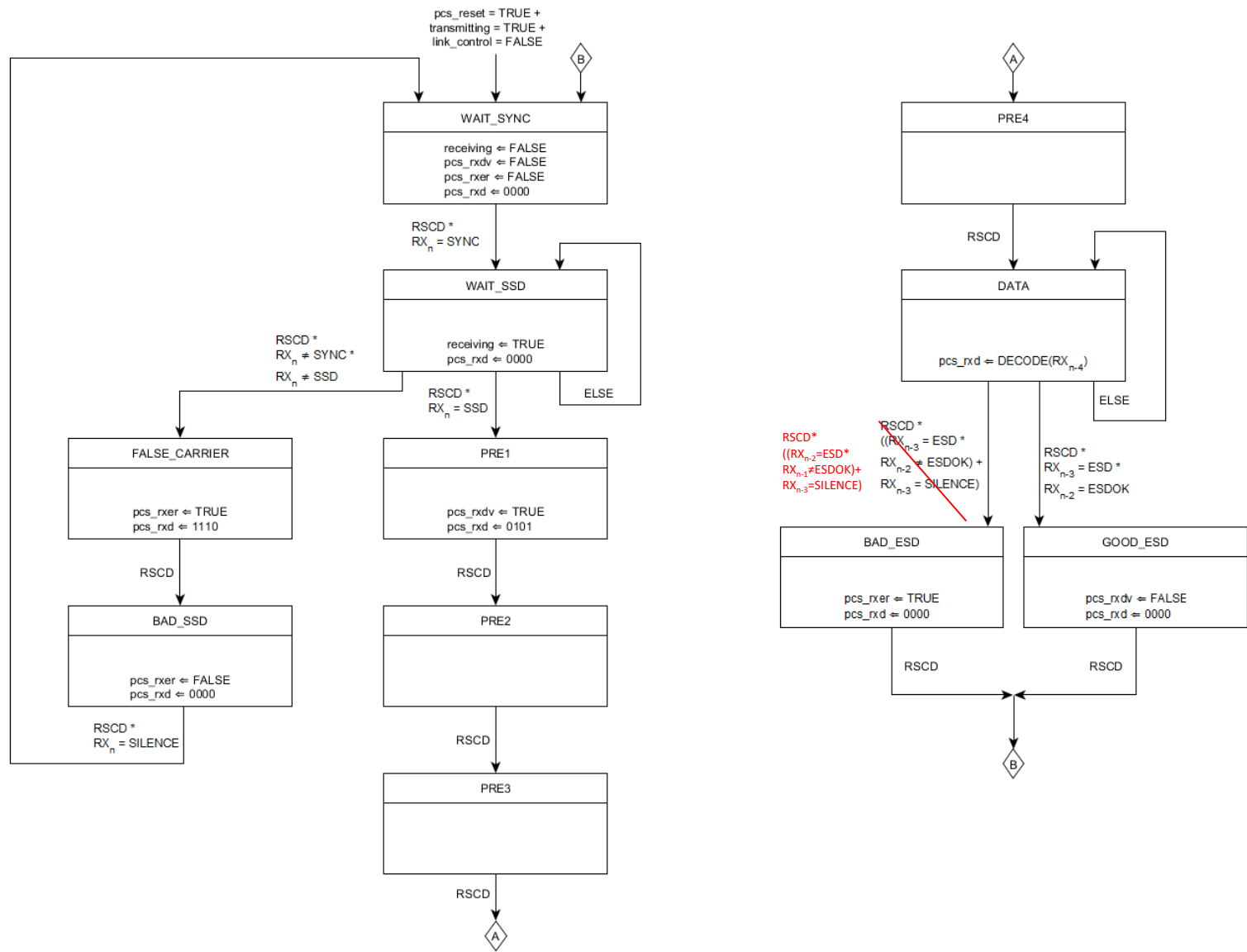
*IEEE802.3cg TF*

*Changes to clause 147 and 148*

*January 22<sup>nd</sup>, 2018*



# PCS Receive State Machine amendments



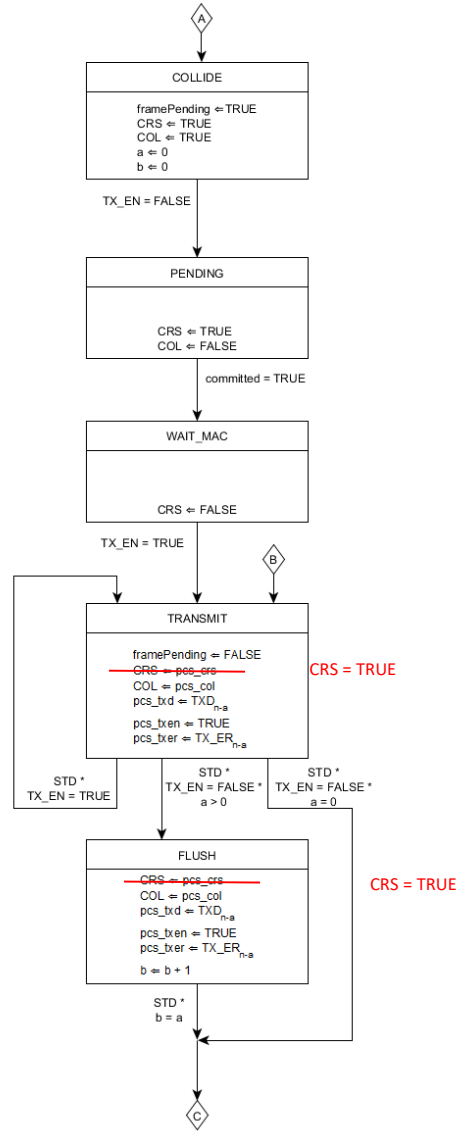
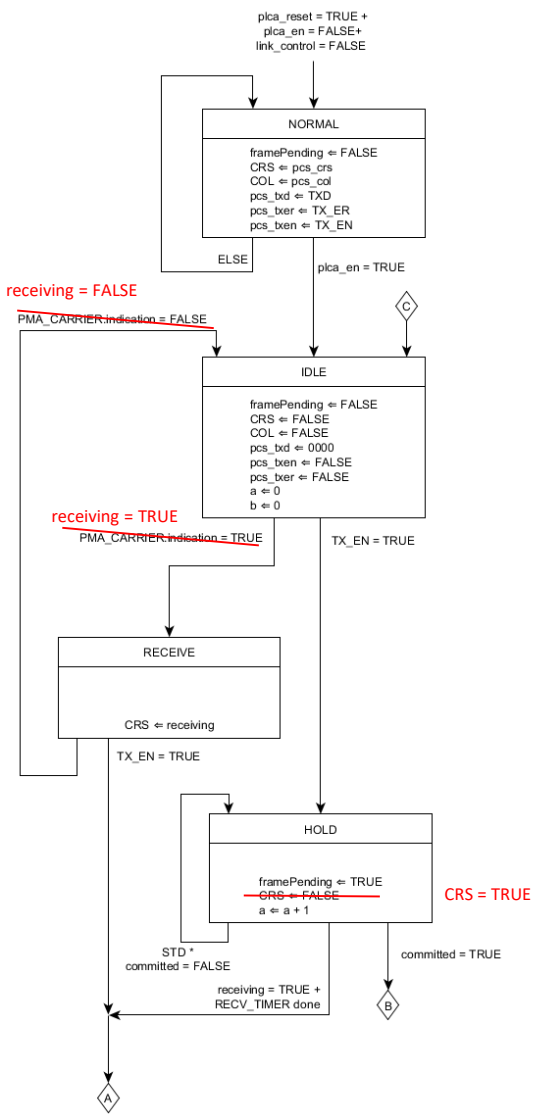


# PCS Receive State Machine amendments rationale

Where	What	Why
DATA -> BAD_ESD	detection of ESDERR anticipated by 1 RSCD	RX_ER shall be generated on the last valid data nibble. Otherwise an alignment error (odd number of nibbles) is reported by the MAC.



# PLCA DATA State Machine amendments





# PLCA DATA State Machine amendments rationale

Where	What	Why
IDLE->RECEIVE RECEIVE->IDLE	state transition is triggered on “receiving”, instead of “PMA_CARRIER.Indication”	BEACON shall not trigger a state change
HOLD state	CRS = TRUE	CRS = FALSE might trigger aCarrierSenseErrors counting in MAC statistics (see 5.2.2) during logical collisions
TRANSMIT state	CRS = TRUE	CRS shall not be set to FALSE when entering TRANSMIT state from HOLD state
FLUSH state	CRS = TRUE	pcs_crs would be TRUE anyway

# Thank You !