



10 Mb/s Single Twisted Pair Ethernet DC Powering

Steffen Graber
Pepperl+Fuchs

Overview

- Cable Resistance
- Current Fieldbus Installations
- Fieldbus Calculation Example
- 10SPE Calculation Example
- 10SPE Powering Remarks
- 10SPE Power Profile Ideas

Cable Resistance

- Fieldbus type A cable is specified in IEC 61158-2.
- The following table gives information about the DC resistance of commonly used fieldbus type A cables at 20 deg C (68 deg F) for different wire diameters:

Wire diameter	Loop resistance for 1000 m at 20 deg C
AWG18 (0.82 mm ²)	max. 43.6 ohms
AWG16 (1.3 mm ²)	max. 28.5 ohms
AWG14 (2.1 mm ²)	max. 17.9 ohms

- The values in the table show the loop resistance, the resistance of a single wire is only half of the values given in the table above.
- Especially when transmitting higher power to the field, the thicker wire diameters will be required to reduce the power losses over long run trunk cables.

Cable Resistance

- Commercial grade copper is having a typical temperature coefficient of about $\alpha = 4.1 * 10^{-3} \text{ K}^{-1}$.
- Assuming a maximum ambient temperature of 70 deg C (158 deg F), this will lead to a 20.5 % higher loop resistance, like stated in the table below:

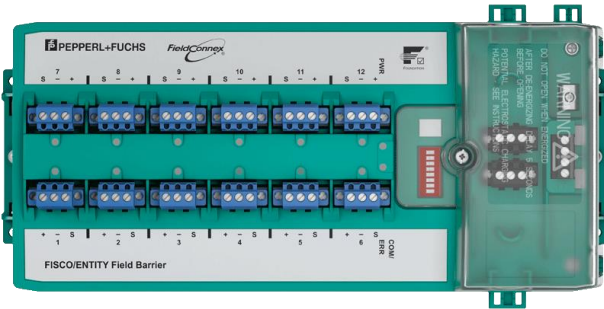
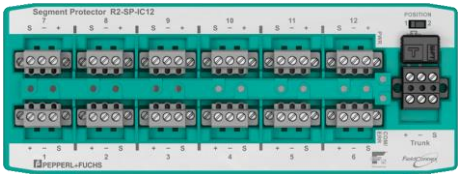
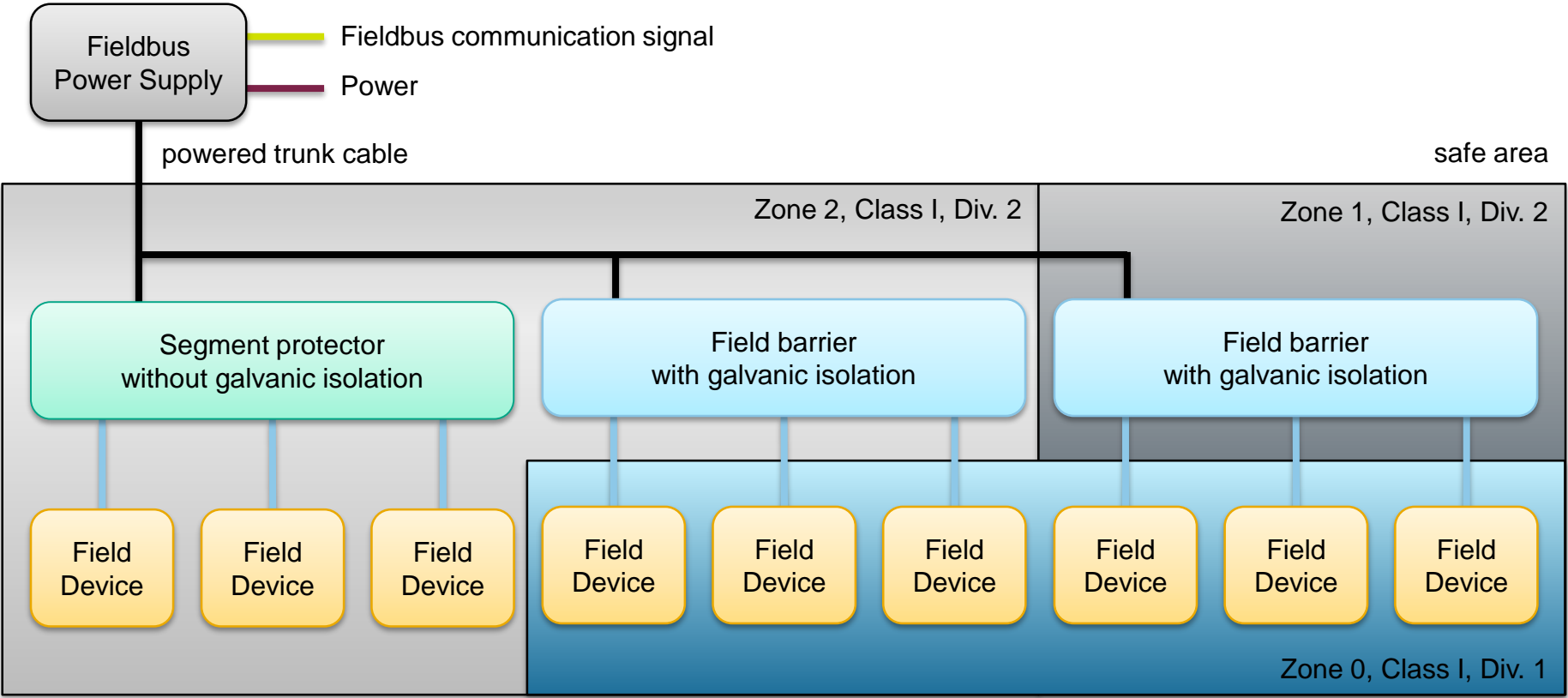
Wire diameter	Loop resistance for 1000 m at 70 deg C
AWG18 (0.82 mm ²)	max. 52.6 ohms
AWG16 (1.3 mm ²)	max. 34.4 ohms
AWG14 (2.1 mm ²)	max. 21.6 ohms

- Depending on the installation conditions, typically only a part of the cable will run at a maximum ambient temperature of 70 deg C, while other parts of the cable will run at lower temperatures.
- Therefore the resistance values given above are worst case values.

Current Fieldbus Installations

- Actual fieldbus installations are typically powered using power supplies with a maximum output voltage of 24 V or 30 V DC (the maximum allowed voltage on a Profibus PA or Foundation Fieldbus segment is 32 V including tolerances).
- The 24 V power supplies are typically used for applications with shorter cable distances, while the 30 V power supplies are typically used for applications with longer cable runs.
- Typical supply current levels are between 300 mA and 500 mA.
- Taking a 30 V/500 mA power supply into account, the nominal output voltage range is 28 V to 30 V including all tolerances and losses within the impedance matching network over temperature.
- Therefore the minimum output voltage will be 28 V at 500 mA, which is equivalent to a supply power of 14 W.

Current Fieldbus Installations



Current Fieldbus Installations

- For power and signal distribution currently there exist two different coupler versions.
- For intrinsically safe applications within Zone 1 or with signals going into Zones 1 or 0, „field barriers“ are used.
 - These devices typically have an input voltage range of 16 to 32 V at the trunk side.
 - The functional open circuit output voltage is about 13 V at the spur side
 - The outputs are resistively current limited to intrinsically safe values.
 - A galvanically isolated switch mode power supply is used for energy conversion.
 - Therefore a system using field barriers is mainly having a constant power consumption (the minimum supply voltage is limited due to potential collapsing effects coming from matched impedance state with the cable resistance).
- For non-intrinsically safe applications or intrinsically safe Zone 2 applications „segment protectors“ are used.
 - These devices typically have an input voltage range of 11 to 32 V at the trunk side.
 - The output voltage at the spur side is 2 V below the input voltage.
 - There is no galvanic isolation.
 - A system using segment protectors is having a constant current consumption (therefore there will be no collapsing effects as for a system with a constant power consumption).

Current Fieldbus Installations

- In today's installations for the spur side most of the cabling is using AWG18 fieldbus cable. There will be only very few installations using cable with a higher cable diameter.
- On the trunk side, depending on the cable length and the needed supply current AWG18 or AWG16 cables are commonly used.
- AWG14 cable is not very common in today's applications, but with upcoming 10SPE applications the use of this cable will get more general in future applications due to the higher power demand compared to current fieldbus applications.
- The following tables on the next slide show the possible trunk cable length using AWG18, AWG16 and AWG14 cables assuming different current levels in fieldbus applications.

Current Fieldbus Installations

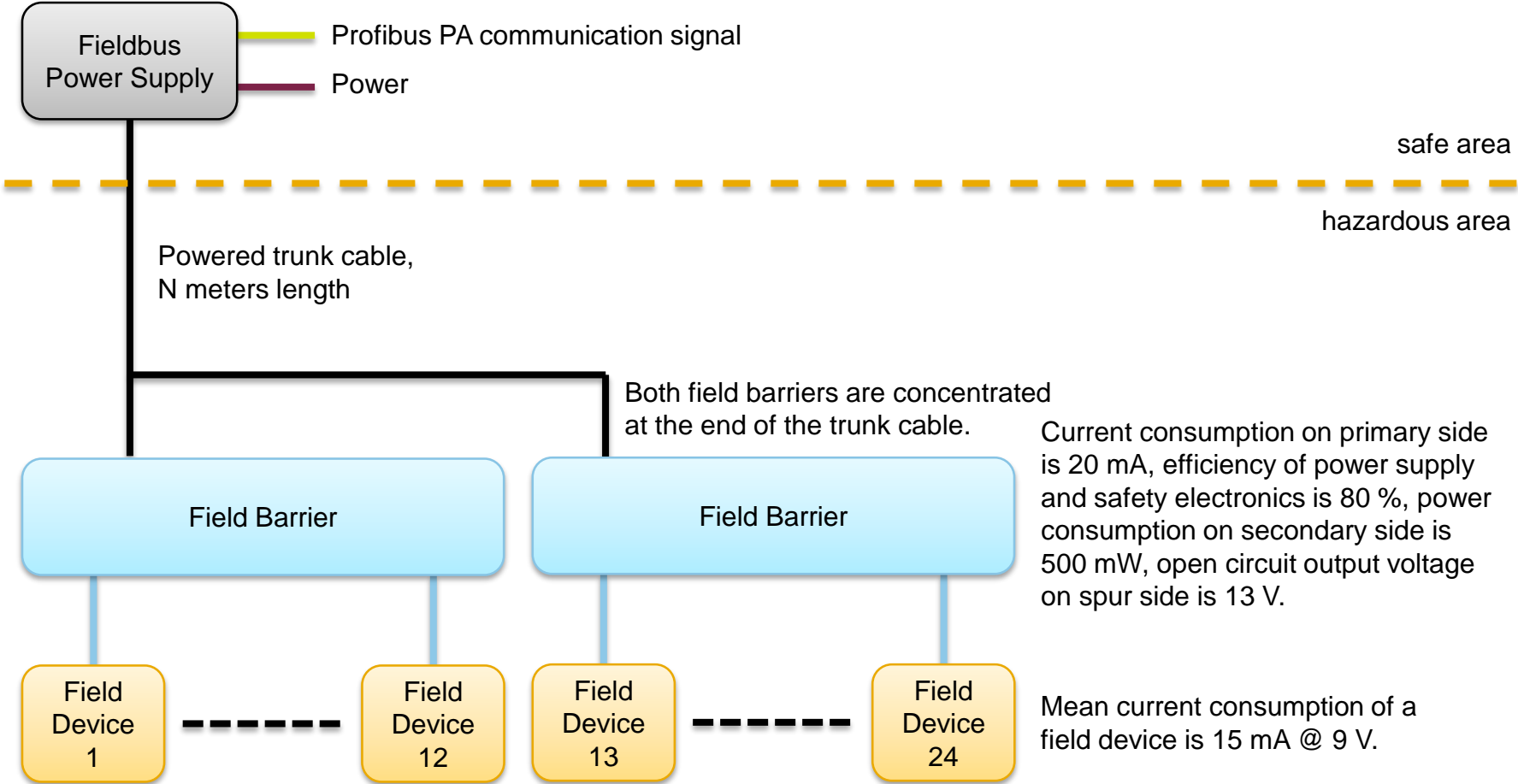
AWG18 cable, 70 deg C	Trunk current 300 mA	Trunk current 400 mA	Trunk current 500 mA
Field barrier applications	760 m	570 m	456 m
Segment coupler applications	1077 m	807 m	646 m

AWG16 cable, 70 deg C	Trunk current 300 mA	Trunk current 400 mA	Trunk current 500 mA
Field barrier applications	1162 m	872 m	697 m
Segment coupler applications	1647 m	1235 m	988 m

AWG14 cable, 70 deg C	Trunk current 300 mA	Trunk current 400 mA	Trunk current 500 mA
Field barrier applications	1851 m	1388 m	1111 m
Segment coupler applications	1900 m	1900 m	1574 m

- The maximum trunk length is limited to 1900 m for current fieldbus installations.

Fieldbus Calculation Example



Fieldbus Calculation Example

- The 24 field devices (which are a typical utilization in Profibus PA segments) are connected to two field barriers.
- Each of the two field barriers has 12 devices with a mean current consumption of **15 mA** being connected.
 - The total current consumption of the field devices is: $12 * 15 \text{ mA} = 180 \text{ mA}$.
 - The total power consumption at the internal 13 V rail is: $13 \text{ V} * 180 \text{ mA} = 2.34 \text{ W}$
 - The total power consumption on the secondary side is: $2.34 \text{ W} + 0.5 \text{ W} = 2.84 \text{ W}$.
 - The equivalent power consumption on the primary side therefore is: $2.84 \text{ W} / 80 \% = 3.55 \text{ W}$.
 - The total power consumption on the primary side of a field barrier assuming a minimum supply voltage of 16 V is: $3.55 \text{ W} + 16 \text{ V} * 20 \text{ mA} = \mathbf{3.87 \text{ W}}$.
 - The total power consumption of both field barriers with a sum of 24 field devices is: $2 * 3.87 \text{ W} = \mathbf{7.74 \text{ W}}$
 - Taking a minimum supply voltage of 16 V for the field barrier into account, the current consumption of the fieldbus segment is: $7.74 \text{ W} / 16 \text{ V} = \mathbf{484 \text{ mA}}$.
- Taking a minimum output voltage of the fieldbus power supply of 28 V into account, the maximum allowed voltage drop across the cable is 12 V.
- This leads to a maximum allowed cable resistance of $12 \text{ V} / 484 \text{ mA} = \mathbf{24.79 \text{ ohms}}$.
- The following table gives an overview about the maximum possible cable length at 70 deg C:

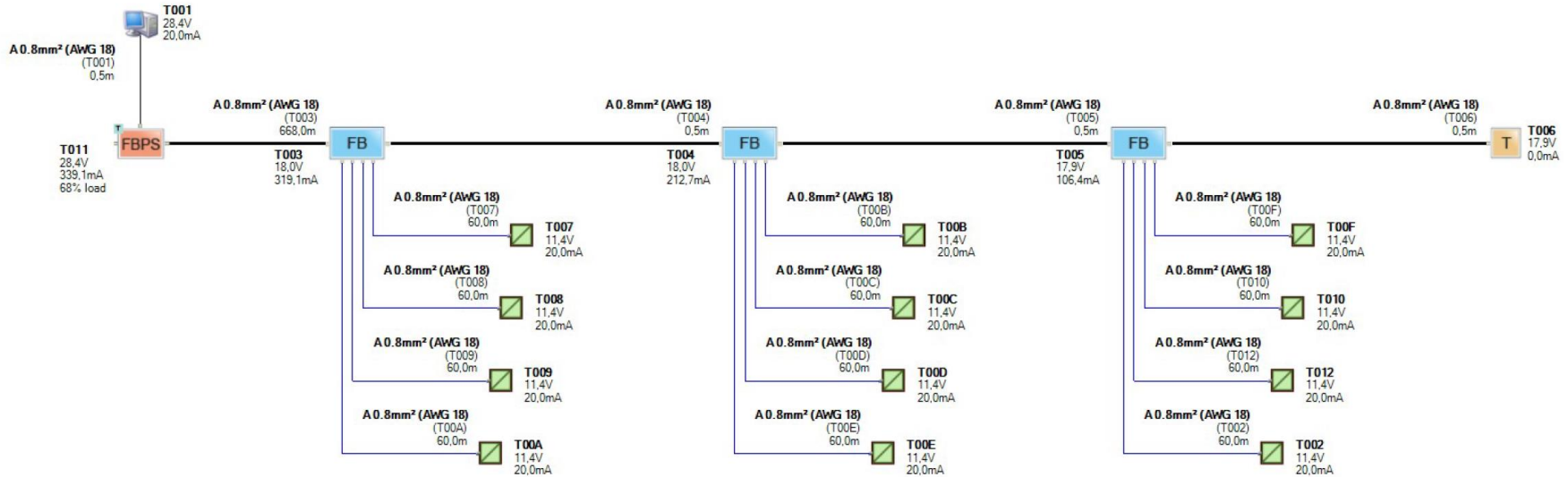
Wire Diameter	AWG18	AWG16	AWG14
Maximum fieldbus cable length	471 m	720 m	1147 m

- Depending on the application the right fieldbus cable wire diameter has to be chosen.

Current Fieldbus Segment Planning

- Currently in fieldbus applications the segment layout is preplanned, so that it is guaranteed that the overall installation works over the intended temperature range with enough headroom for a stable installation.
- One open tool for planning fieldbus segments is shown below (www.segmentchecker.com).

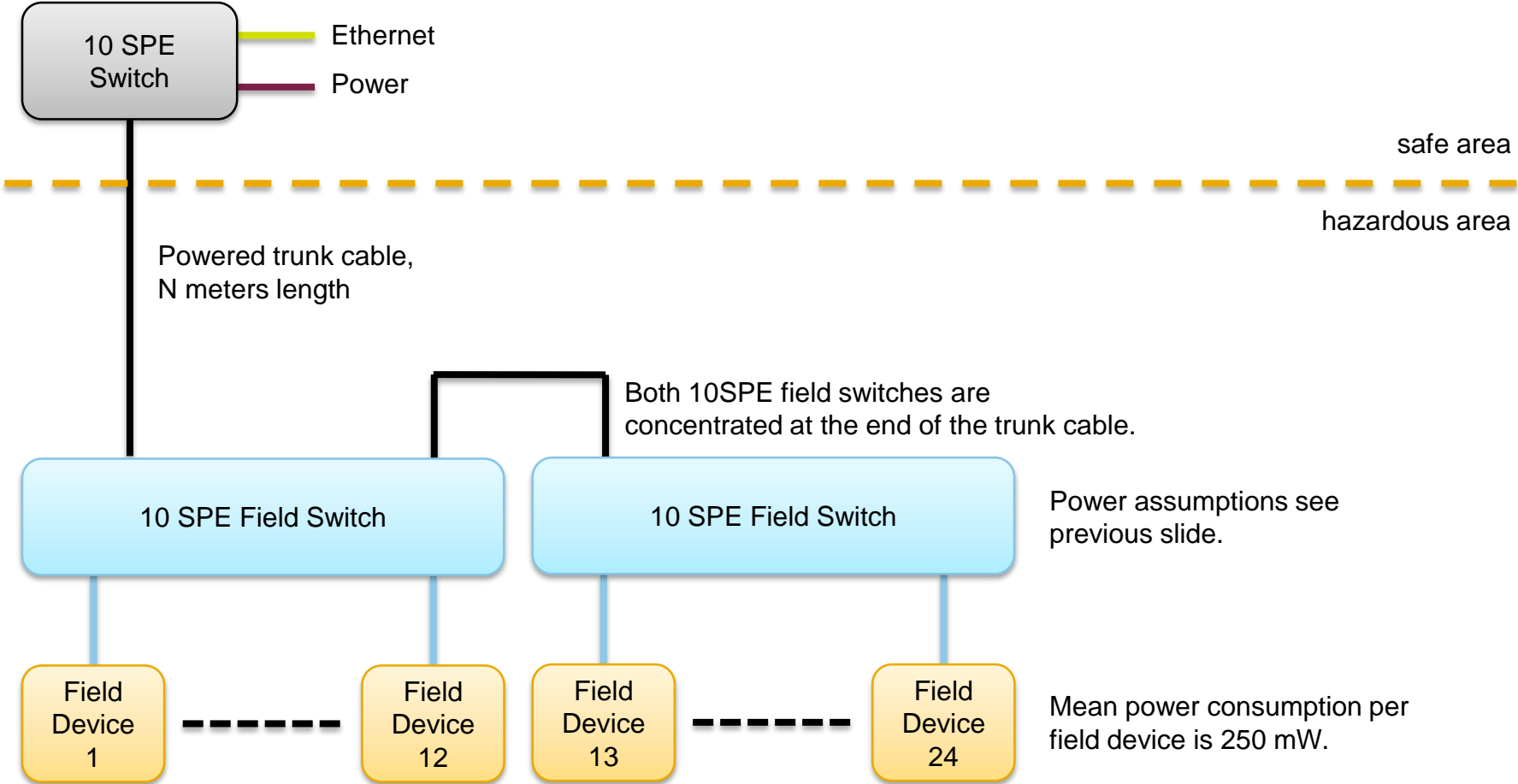
2010-01-21	
Segment Type	Fieldbus Foundation: High-Power Trunk with FieldBarrier
Cable Type	A 0.8mm ² (AWG 18)
Env. Temp.	50°C
Default Field Device Current	20mA
Default Spur Length	60m
Short Circuit Checking	On



10SPE Calculation Example

- The following assumptions should only be seen as an example, for a specific implementation the values may change.
- 10SPE power supply
 - 48 V open circuit output voltage
 - 46 V minimum output voltage
 - 1.25 A maximum output current.
- 10SPE field device
 - 9 V minimum supply voltage
 - 250 mW power consumption (50 mW PHY, 70 mW microcontroller, 50 mW application, 80 mW protection, auxiliary circuits and power supply)
- 10SPE field switch
 - Supply voltage range 24 - 48 V
 - 250 mW power consumption (50 mW PHY, 30 mW series resistors, 10 mW cable losses, 20 mW functional current limiting, 140 mW protection, auxiliary circuits and power supply) per spur port
 - 5 W switch core losses
 - 80 % power supply efficiency
 - 1.5 W primary side losses
 - 0.5 W average losses per daisy-chain element

10SPE Calculation Example



10SPE Calculation Example

- The 24 field devices (which are a typical utilization in today's applications) are connected to two 10SPE field switches.
- Each of the two field switches has 12 devices with a mean power consumption of **250 mW** being connected.
 - The total power consumption of the field devices is: $12 * 250 \text{ mW} = 3 \text{ W}$.
 - The total power consumption of spur electronics within the 10SPE field switch is: $12 * 250 \text{ mW} = 3 \text{ W}$
 - The total power consumption on the secondary side including the switch core is: $3 \text{ W} + 3 \text{ W} + 5 \text{ W} = 11 \text{ W}$
 - The equivalent power consumption on the primary side therefore is: $11 \text{ W} / 80 \% = 13.75 \text{ W}$.
 - The total power consumption on the primary side of a 10SPE field switch is: $13.75 \text{ W} + 1.5 \text{ W} = \mathbf{15.25 \text{ W}}$.
 - The total power consumption of both 10SPE field switches with a sum of 24 field devices and including the daisy-chain circuit losses is: $2 * 15.25 \text{ W} + 0.5 \text{ W} = \mathbf{31 \text{ W}}$
 - Taking a minimum supply voltage of 24 V for the 10SPE field switch and a maximum output current of the 10SPE switch of 1.25 A into account, the current consumption will be 1.25 A at a supply voltage of 24.8 V at the 10SPE field switch.
- Taking a minimum supply voltage of the 10SPE switch of 46 V into account, the maximum allowed voltage drop across the cable is 21.2 V.
- This leads to a maximum allowed cable resistance of $21.2 \text{ V} / 1.25 \text{ A} = \mathbf{16.96 \text{ ohms}}$.
- The following table gives an overview about the maximum possible cable length at 70 deg C:

Wire Diameter	AWG18	AWG16	AWG14
Maximum 10SPE cable length	322 m	493 m	786 m

- Depending on the application the right cable wire diameter has to be chosen.
- If a higher cable length needs to be reached the amount of connected field devices has to be reduced.

10SPE Calculation Example

- The calculations on the previous slide are done for a field switch, which can be used within hazardous areas.
 - For these applications it seems to make sense to limit the maximum supply voltage of a field switch to 48 V to keep the size and cost for the electronics in a reasonable range (e. g. thinking about encapsulation (Ex m) 10 % safety margin have to be added to the supply voltage and additionally several components have to be utilized to 2/3 of their rated values, which leads to 80 V types e. g. for power semiconductors and capacitors).
 - A safe galvanic isolation within the field switch according to IEC/EN 60079-11 has to be implemented, which reduces the possible efficiency of the power supply within the field switch.
 - Additional safety circuits have to be added, which reduce the efficiency even further.
- Thinking about a field switch for non-hazardous applications, there is room for improvements.
 - Taking a higher supply voltage into account (e. g. **57 V** instead of **48 V**) more energy could be provided to the field allowing longer cable runs or more field devices.
 - Having smaller isolation distances within the transformer improves the efficiency of the field switch power supply and therefore reduces the losses within the field switch.
 - Removing the additional safety circuits, will further increase the efficiency.
 - Taking the same example setup into account, the power consumption for both field switches together could be reduced by about 6 W in sum, while providing a 11.25 W higher supply power.
 - This would allow a cable length of up to 1000 m using even a higher number of field devices.
 - For **shorter cable length** providing a **higher supply current** would also allow to supply more field devices or field devices with a higher power consumption.
- **The given values should only be seen as an example. Depending on the specific application, there could be different demands, for which other values could be more suitable.**

10SPE Power Profile Ideas

- The following table shows one possible set of power profiles for a field switch (trunk port):

Profile	Description
Non-powered	For separately powered field switches
17.5 V, 0.38 A	Not relevant for a field switch, but could make sense as a power supply output, if only one field device should be supplied.
48 V, 1.25 A, tbd.	For hazardous area field switches, Ex e port
57 V, 1.8 A, tbd.	For non-hazardous area field switches, non-Ex

- The following table shows one possible set of power profiles for a field device (spur port):

Profile	Description
Non-powered	For separately powered field devices
17.5 V, 0.38 A	For low power field devices, Ex ia/ib port or non-Ex
48 V, 1.25 A, tbd.	For high power field devices, Ex e port
57 V, 1.8 A, tbd.	For high power field devices, non-Ex

- A field switch or field device should always support the maximum supply voltage of the respective profile, the supply voltage range should be clearly marked on the device.
- It could make sense to add more profiles, depending on the application.

Thank You