

# OAM Rx State Machine Corner Case

July 15, 2019

Mike Tu [tum@broadcom.com](mailto:tum@broadcom.com)

Paul Change [paul-lc.chang@broadcom.com](mailto:paul-lc.chang@broadcom.com)

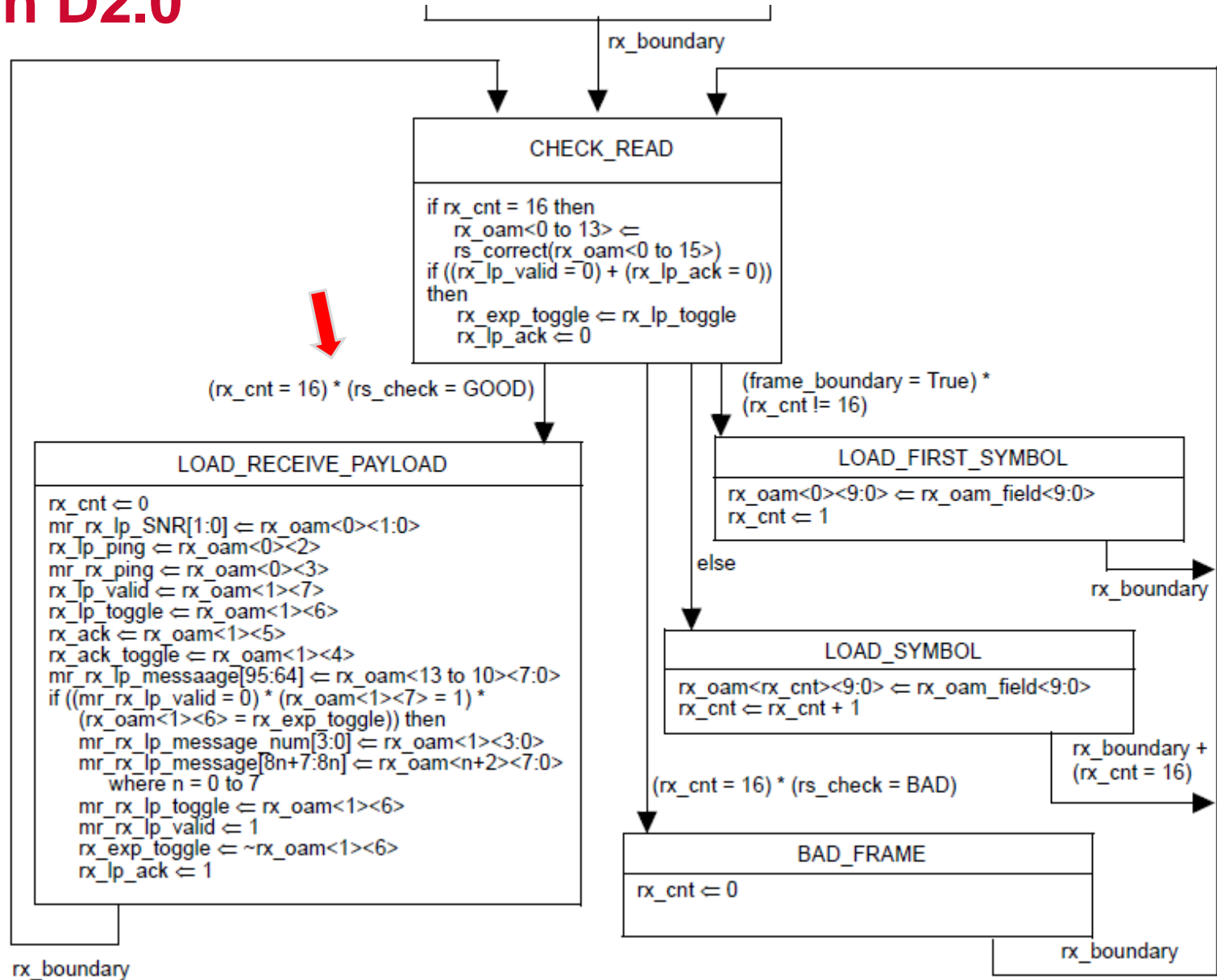
Steven Chen [steven.chen@broadcom.com](mailto:steven.chen@broadcom.com)

## Variable “rs\_correct”

- Function “rs\_correct”
  - This function outputs the 14 corrected data symbols as defined in 149.3.9.2.13 and **sets/clears the rs\_check variable when at least one of the 16 symbols of the OAM frame is embedded in a LPI refresh.**
  - Otherwise, this function returns the 14 data symbols unmodified and sets rs\_check to GOOD if none of the 16 RS(360, 326) frames are uncorrectable.

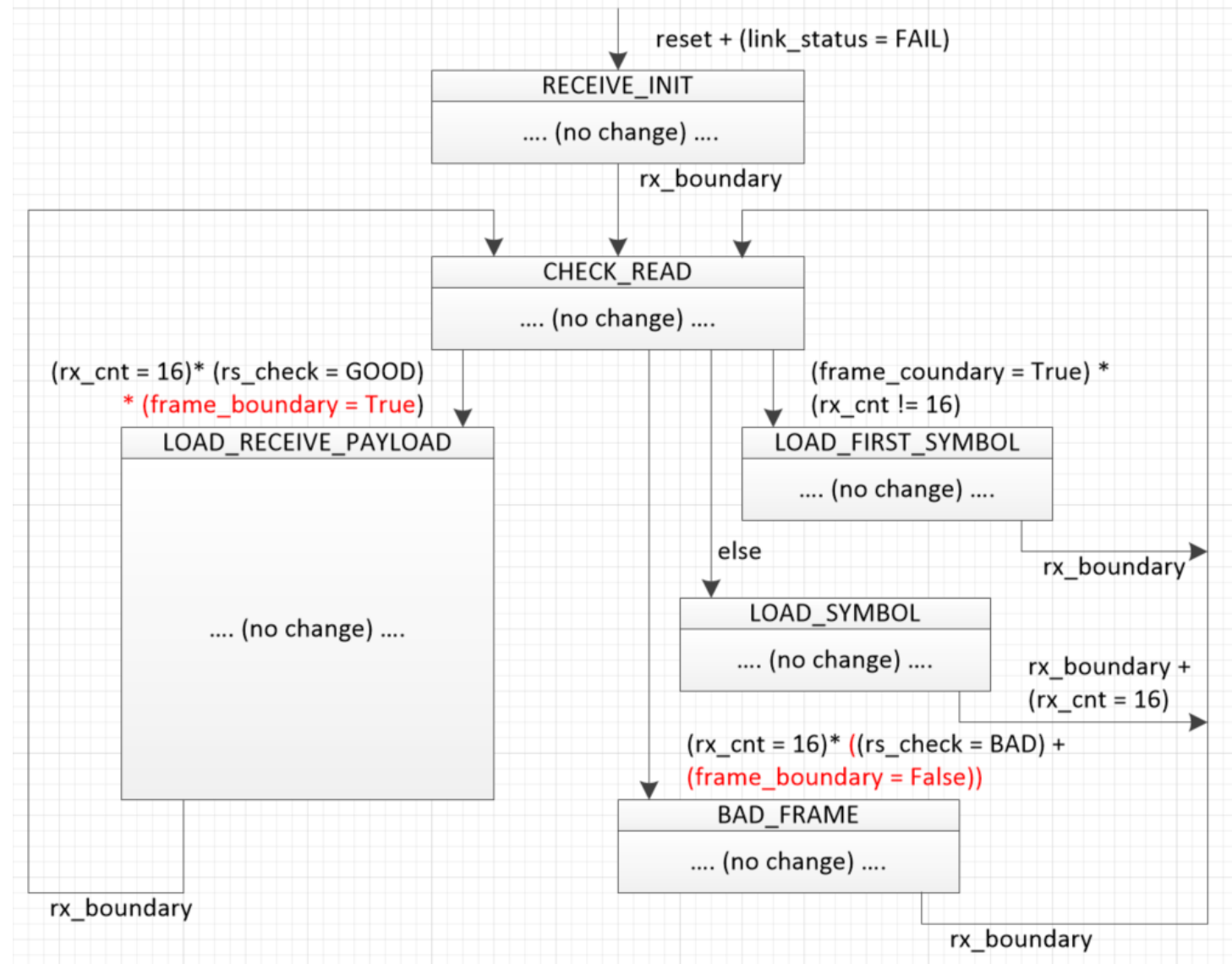
# Issue with Figure 149-24 in D2.0

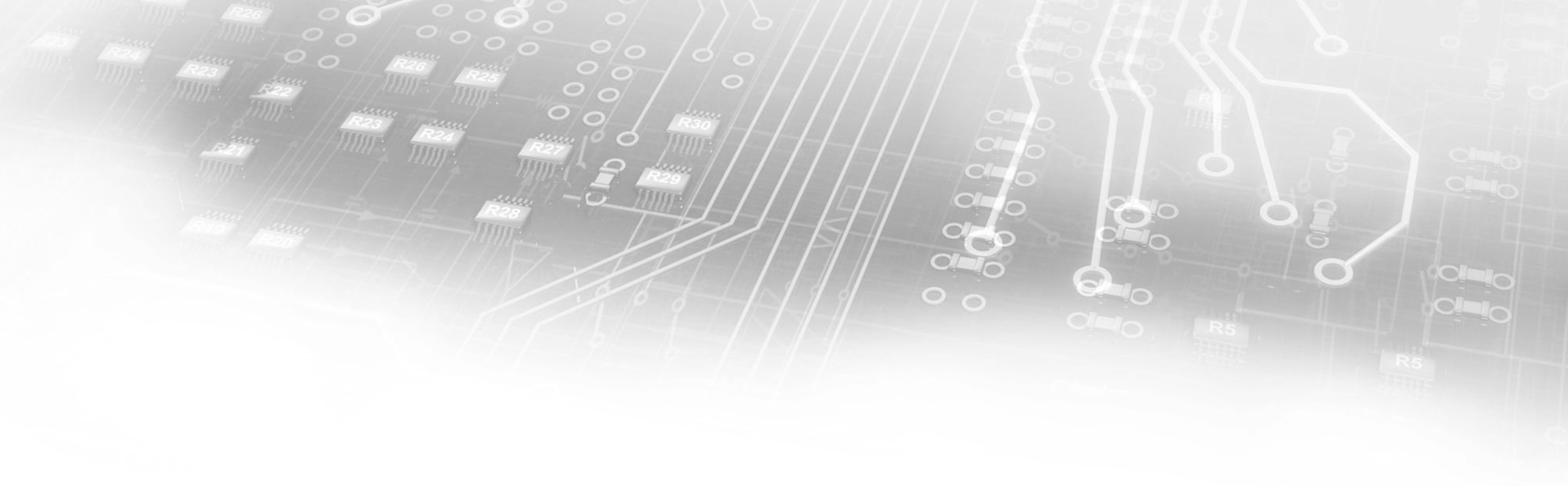
- Assume OAM frame\_boundary is not found yet, and rx\_cnt is currently out of sync.
- Assume the PHY enters LPI, and rs\_check=GOOD (RS parity checked) for the first several OAM symbols when rx\_cnt reaches 16.
- In this case, the OAM Rx state machine enters the “LOAD\_RECEIVE\_PAYLOAD” state by mistake.



## Modified Figure 149-24:

- In 149.3.9.4.6, page 136, line 26, Figure 149-24, make the changes as highlighted in **RED**





# THANK YOU

---