

COM 3.70 with 3.1 Configuration Updates, Fixes, and Exploratory Features including Package/Die Load Ladder

Richard Mellitz, Samtec

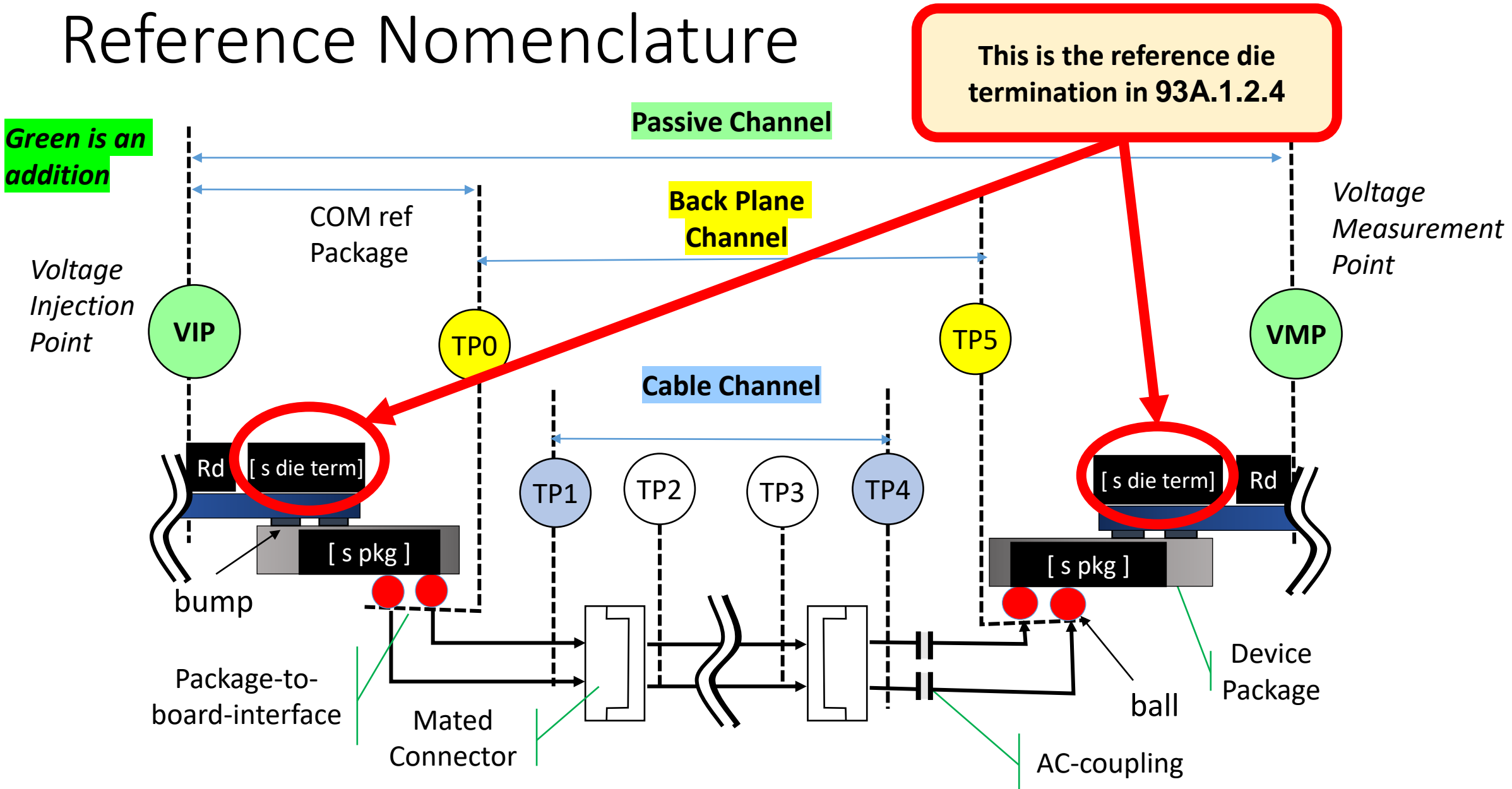
Contributors

Samtec: Adam Gregory, Brandon Gore

Intel: Mike Peng Li, Hsinho Wu, Masashi Shimanouchi, Jenny Xiaohong Jiang

March 23, 2022

Reference Nomenclature



D3.1 update, Additional Exploratory COM Capability, Expanded Tx FFE taps, and minor improvements

- ❑ Changed output report nomenclature
 - `total_IL_wpkgs_dB_at_Fnq` to `VIP_to_VIM_IL_dB_at_Fnq`
- ❑ Fixed .3bj backward compatibility issue.
 - Tr caused error for 100G Base CR4
 - No change to prior configuration spreadsheets.
 - i.e., backward compatible
- ❑ Fix for floating tap algorithm for computing consecutive taps spacing.
 - Impact from a few tests: < 0.05 dB COM
- ❑ Expands syntax for Tx FFE to any number of taps
 - Syntax: `c(n)` where `n` is a positive or negative non-zero integer.
 - Rules: all tap ranges up to `n` must be specified. Set `c(n)` to zero if tap is not used.
 - Example
 - `c(-4) = [0.1 ; 0.05 ; 0]`
 - `c(-3)=0`
 - `c(-2)=[0.1 ; 0.05 ; 0]`
 - `c(-1)=0`
- ❑ Exploratory implementation of `ran_3ck_03_0122` for SNR_{Tx}/SNDR
 - By setting keyword (`SNR_TXwC0`) to 1 (default is 0 if not specified)
- ❑ Speed up for C2M
- ❑ CR and C2M d3.1 spreadsheet change

IEEE802.3 ck Package Model (single sided representation)

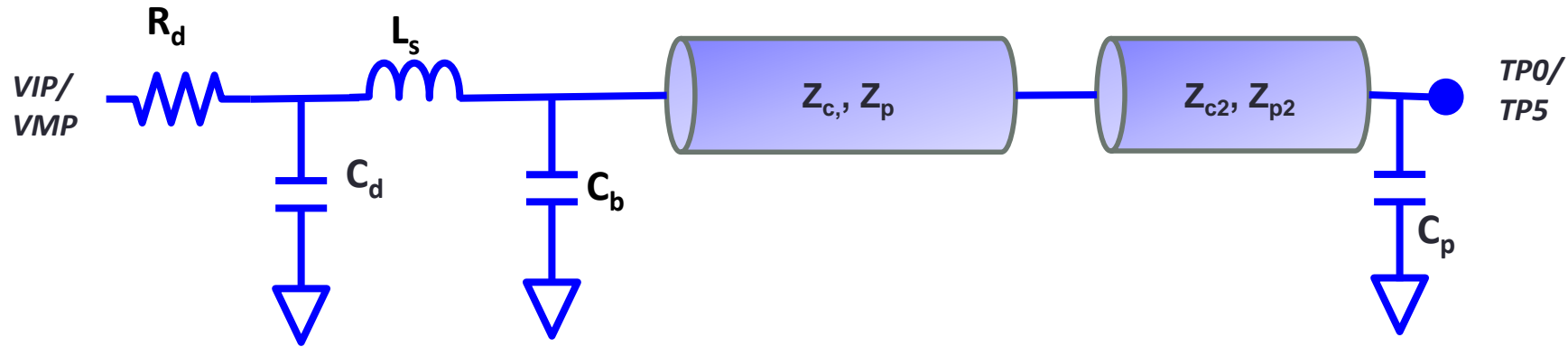


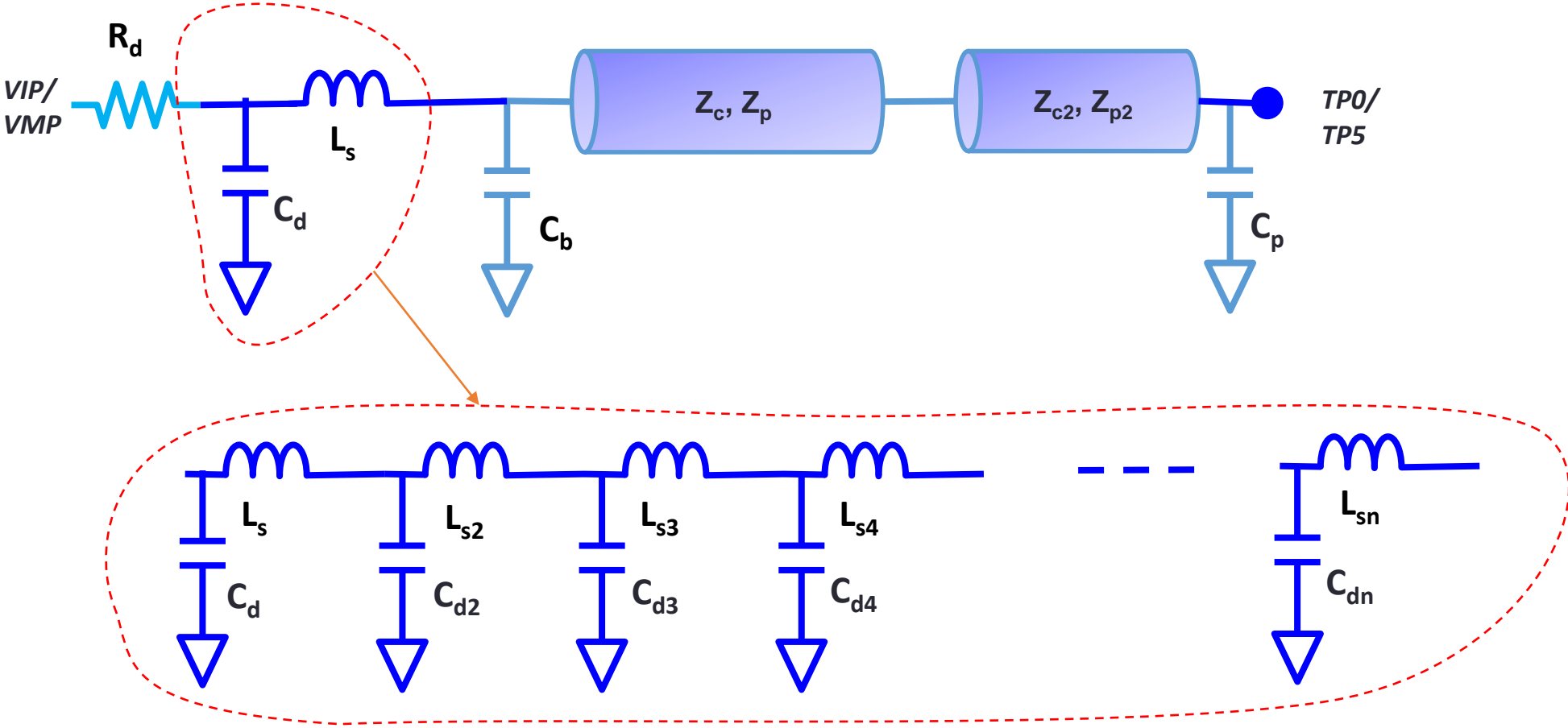
Table 93A-1 parameters

Parameter	Setting	Units	Information
C_d	[1.2e-4 1.2e-4]	nF	[TX RX]
L_s	[0.12, 0.12]	nH	[TX RX]
C_b	[0.3e-4 0.3e-4]	nF	[TX RX]
z_p select	[1 2]		[test cases to run]
z_p (TX)	[12 31; 1.8 1.8]	mm	[test cases]
z_p (NEXT)	[12 29; 1.8 1.8]	mm	[test cases]
z_p (FEXT)	[12 31; 1.8 1.8]		[test cases]
z_p (RX)	[12 29; 1.8 1.8]	mm	[test cases]
C_p	[0.87e-4 0.87e-4]	nF	[TX RX]
R_0	50	Ohm	
R_d	[45 45]	Ohm	[TX RX]
A_v	0.39	V	vp/vf=.694
A_fe	0.39	V	vp/vf=.694
A_ne	0.578	V	

Table 93A-3 parameters

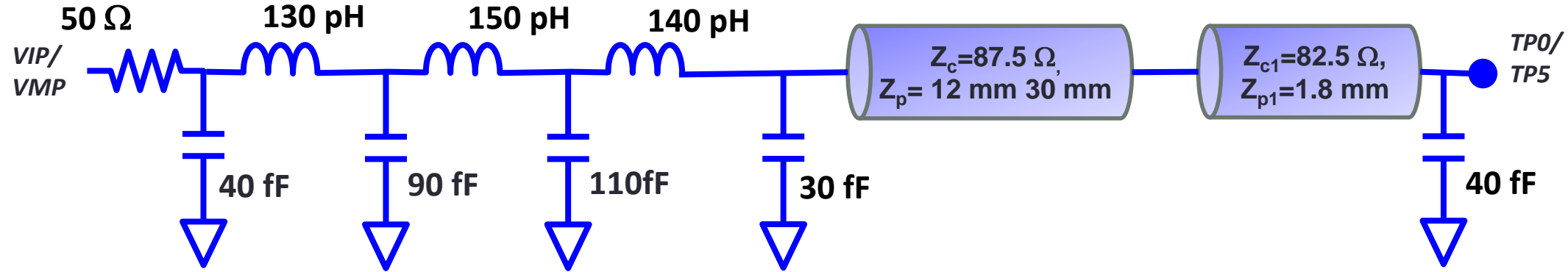
Parameter	Setting	Units
package_tl_gamma0_a1_a2	[0 0.0009909 0.0002772]	
package_tl_tau	6.141E-03	ns/mm
package_Z_c	[87.5 87.5 ; 92.5 92.5]	Ohm

Replace Cd and Ls with a Ladder



C_d	[$C_d C_{d2} C_{d3} C_{d4} \dots C_{dn}$; $C_d C_{d2} C_{d3} C_{d4} \dots C_{dn}$]	nF	[TX ; RX]
L_s	[$L_s L_{s2} L_{s3} L_{s4} \dots L_{sn}$; $L_s L_{s2} L_{s3} L_{s4} \dots L_{sn}$]	nH	[TX ; RX]

Example: T-coil ladder data in li_3df_02_220316



C_d	[0.4e-4 0.9e-4 1.1e-4 ; 0.4e-4 0.9e-4 1.1e-4]	nF	[TX RX]
L_s	[0.13 0.15 0.14; 0.13 .15 0.14]	nH	[TX RX]
C_b	[0.3e-4 0.3e-4]	nF	[TX RX]
z_p select	[1 2 3 4]		[test cases to run]
z_p (TX)	[12 31; 1.8 1.8]	mm	[test cases]
z_p (NEXT)	[12 29; 1.8 1.8]	mm	[test cases]
z_p (FEXT)	[12 31; 1.8 1.8]	mm	[test cases]
z_p (RX)	[12 29; 1.8 1.8]	mm	[test cases]
C_p	[0.4e-4 0.4e-4]	nF	[TX RX]
R_0	50	Ohm	

Parameter	Setting
package_tl_gamma0_a1_a2	[0 8.9e-4 1.55e-4]
package_tl_tau	6.14E-03
package_Z_c	[87.5 87.5 ; 92.5 92.5]

Exploratory for .3df

File list

- ❑ com_ieee8023_93a_370.m
- ❑ mellitz_3ck_01_032322.pdf
- ❑ TPOV_example.m
- ❑ config_sheets_3p1
 - config_com_ieee8023_93a=3ck_d3p1_TPOV_11_30_21.xlsx
 - config_com_ieee8023_93a=3ck_d3p1_120F_C2C_11_30_21.xlsx
 - config_com_ieee8023_93a=3ck_d3p1_120g_C2M_tp1a_9_11_30_21.xlsx
 - config_com_ieee8023_93a=3ck_d3p1_CR_CA_11_30_21.xlsx
 - config_com_ieee8023_93a=3ck_d3p1_KR_11_30_21.xlsx
 - config_com_ieee8023_93a=3ck_d3p1_MTF_tp1a_11-30-21.xlsx
 - keywords_14-Mar-2022.csv

Thank You!