

**IEEE P802.3cn Task Force:**  
50 Gb/s, 100 Gb/s, 200 Gb/s, and 400 Gb/s  
over Single-Mode Fiber and DWDM

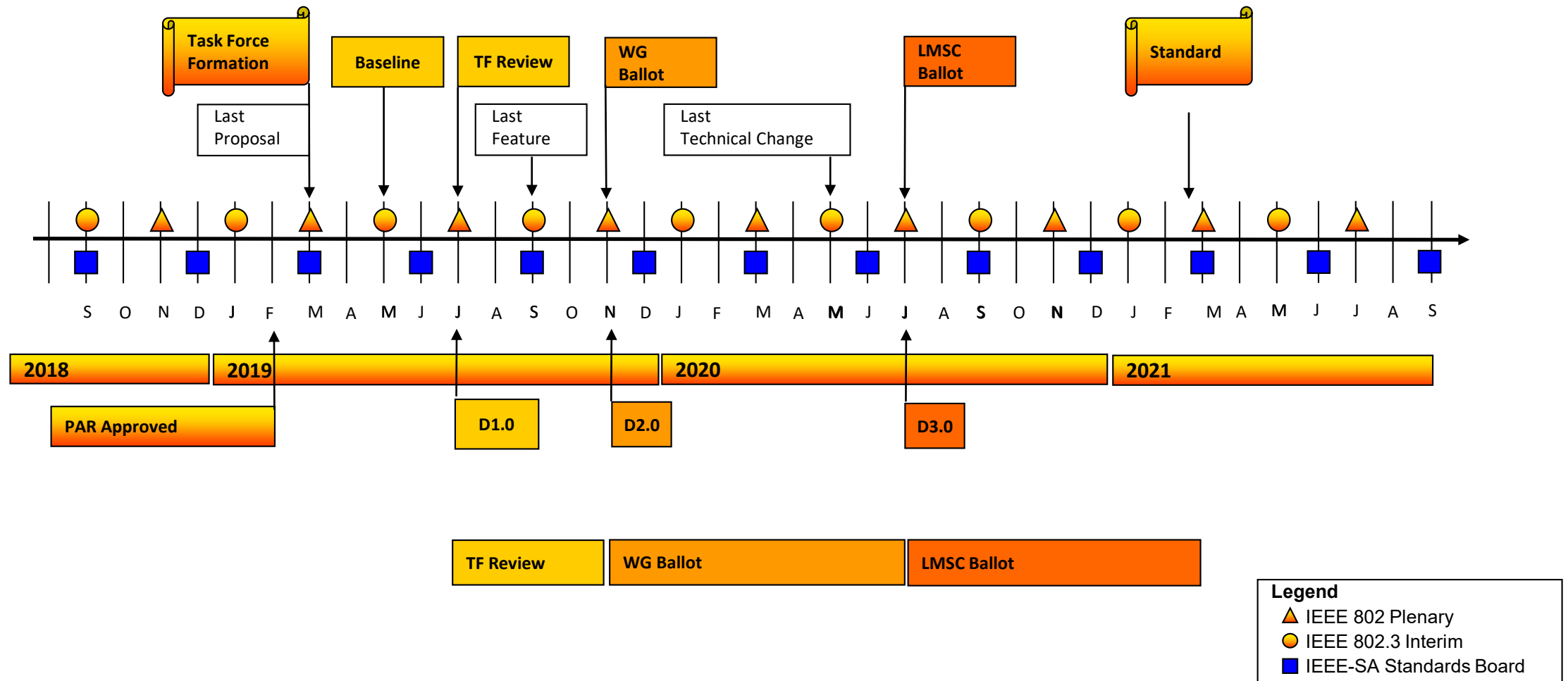
**Proposed IEEE P802.3ct Timeline  
(Updated Per Task Force Discussion)**

John D'Ambrosia,  
Chair, IEEE P802.3cn Task Force  
Futurewei, Subsidiary of Huawei  
IEEE 802.3 Jan 2019 Interim  
Long Beach, CA, USA

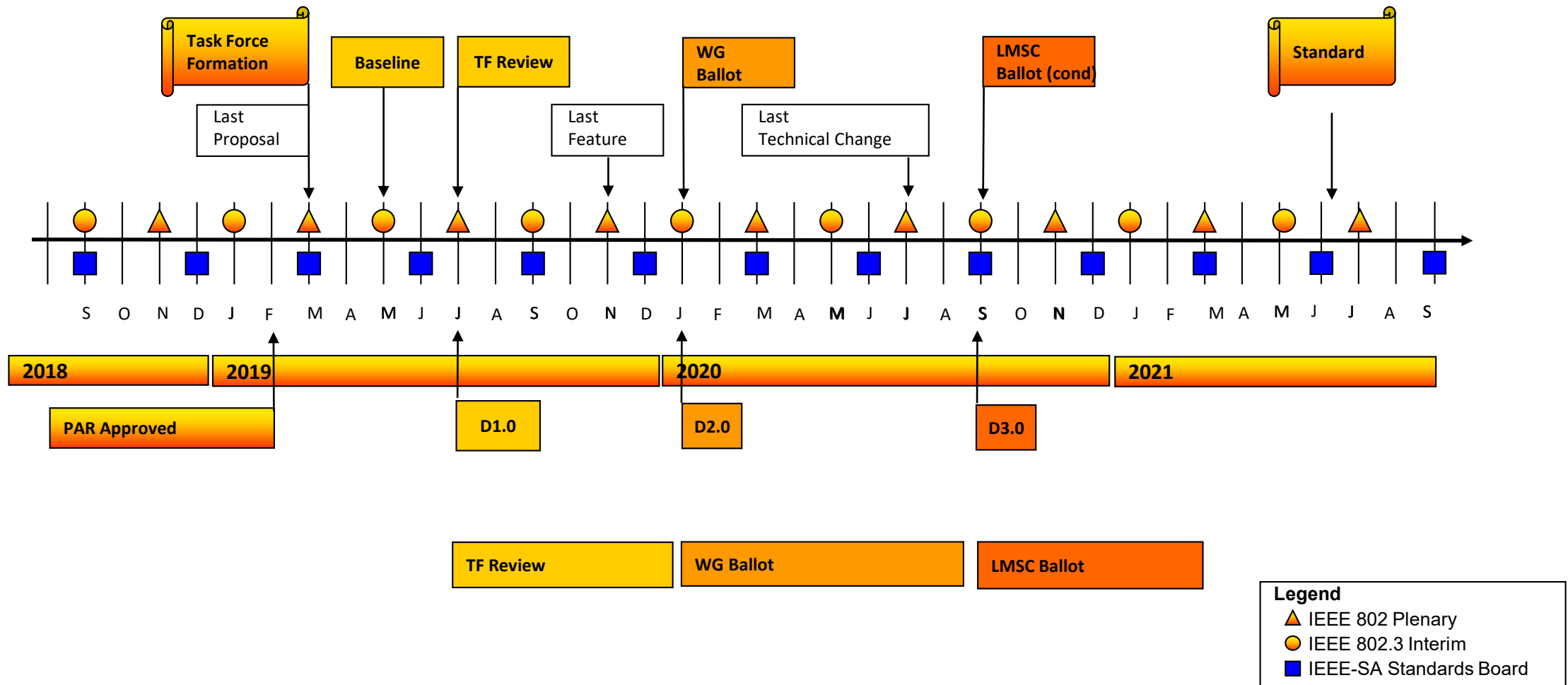
# Introduction

- Proposed timeline is for the IEEE P802.3ct PAR (pending IEEE-SS Std Board approval)
- Proposed timeline based on maintaining completion date, as discussed and reflected on PAR – Feb, 2021 (<https://mentor.ieee.org/802-ec/dcn/18/ec-18-0225-00-00EC-ieee-p802-3ct-draft-par.pdf>)

# IEEE P802.3ct Proposed Timeline (Not Adopted)



# IEEE P802.3ct Proposed Timeline (Not Adopted) – Per TF Discussion, alternate #1



# IEEE P802.3ct Proposed Timeline (Not Adopted) – Per TF Discussion, alternate #2

