

Project Timeline Discussion

John D'Ambrosia
Chair, IEEE P802.3ct Task Force
Futurewei, a U.S. Subsidiary of Huawei

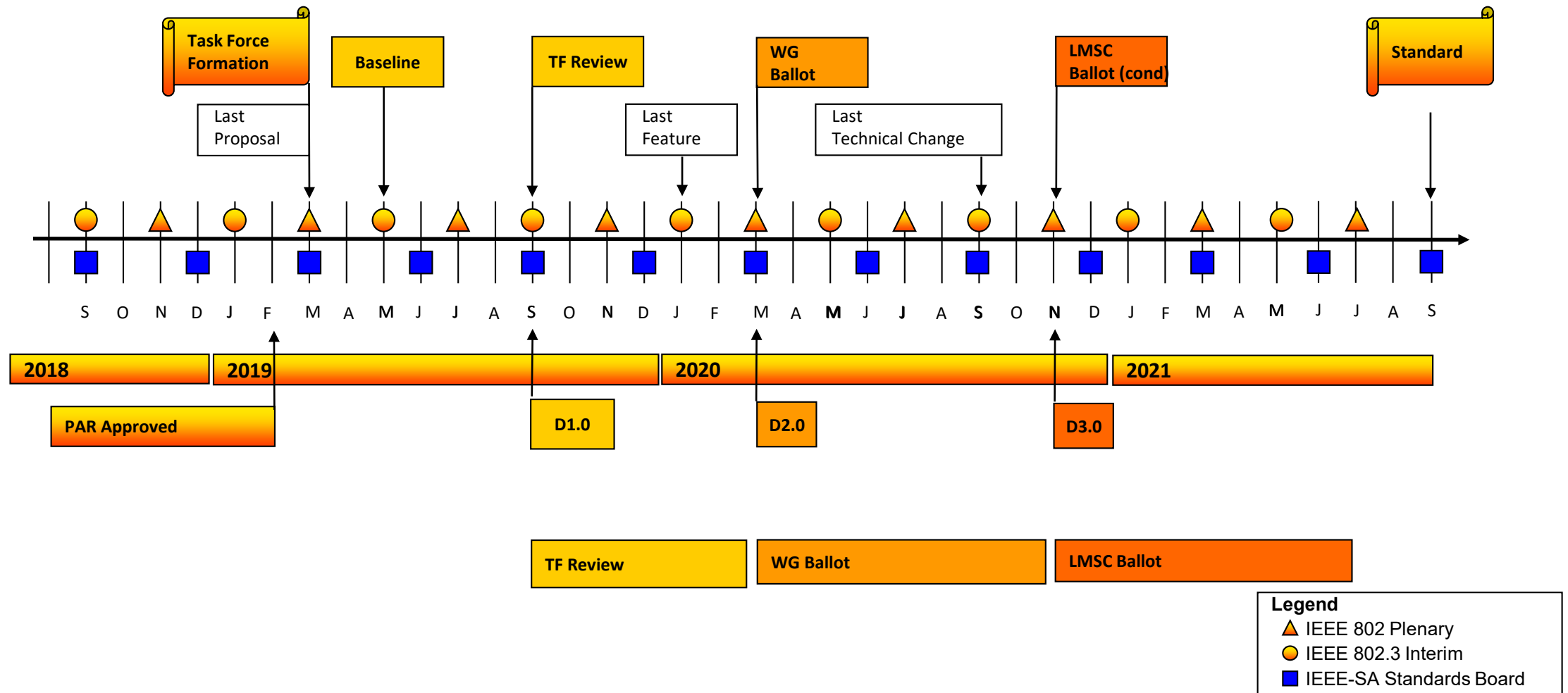
Geneva, CH
IEEE 802.3 Jan 2020 Interim

Introduction

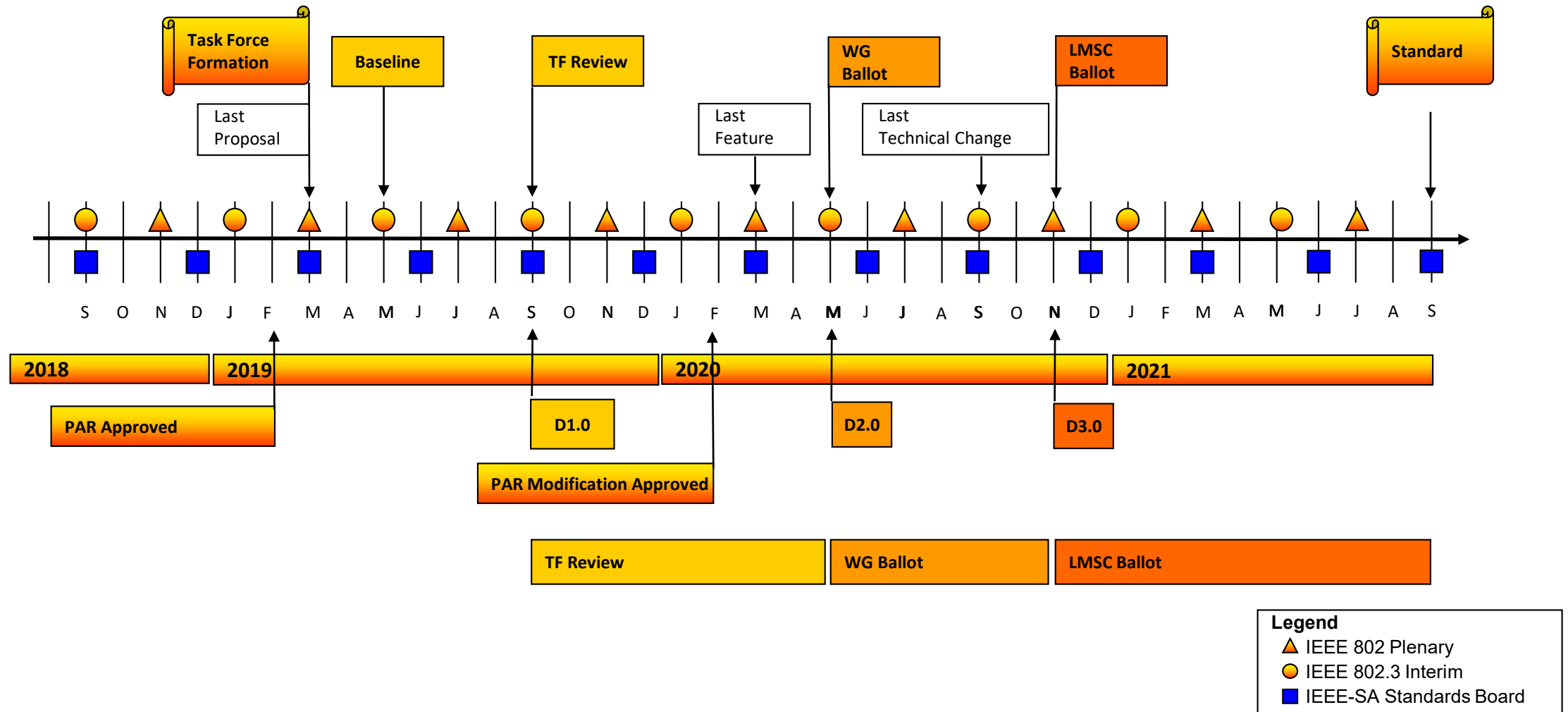
- **Approvals pending (anticipate early Feb)**
 - IEEE P802.3ct PAR Modification
 - IEEE P802.3cw PAR
- **Current schedule assessment based on adopted timeline (Jan 19)**
 - 100 GbE Objectives – on schedule
 - 400 GbE Objectives - behind
- **New timelines proposed for modified IEEE P802.3ct & IEEE P802.3cw**

IEEE P802.3ct Adopted Timeline

Adopted – Jan 2019



Proposed IEEE P802.3ct Timeline



Proposed IEEE P802.3cw Timeline

