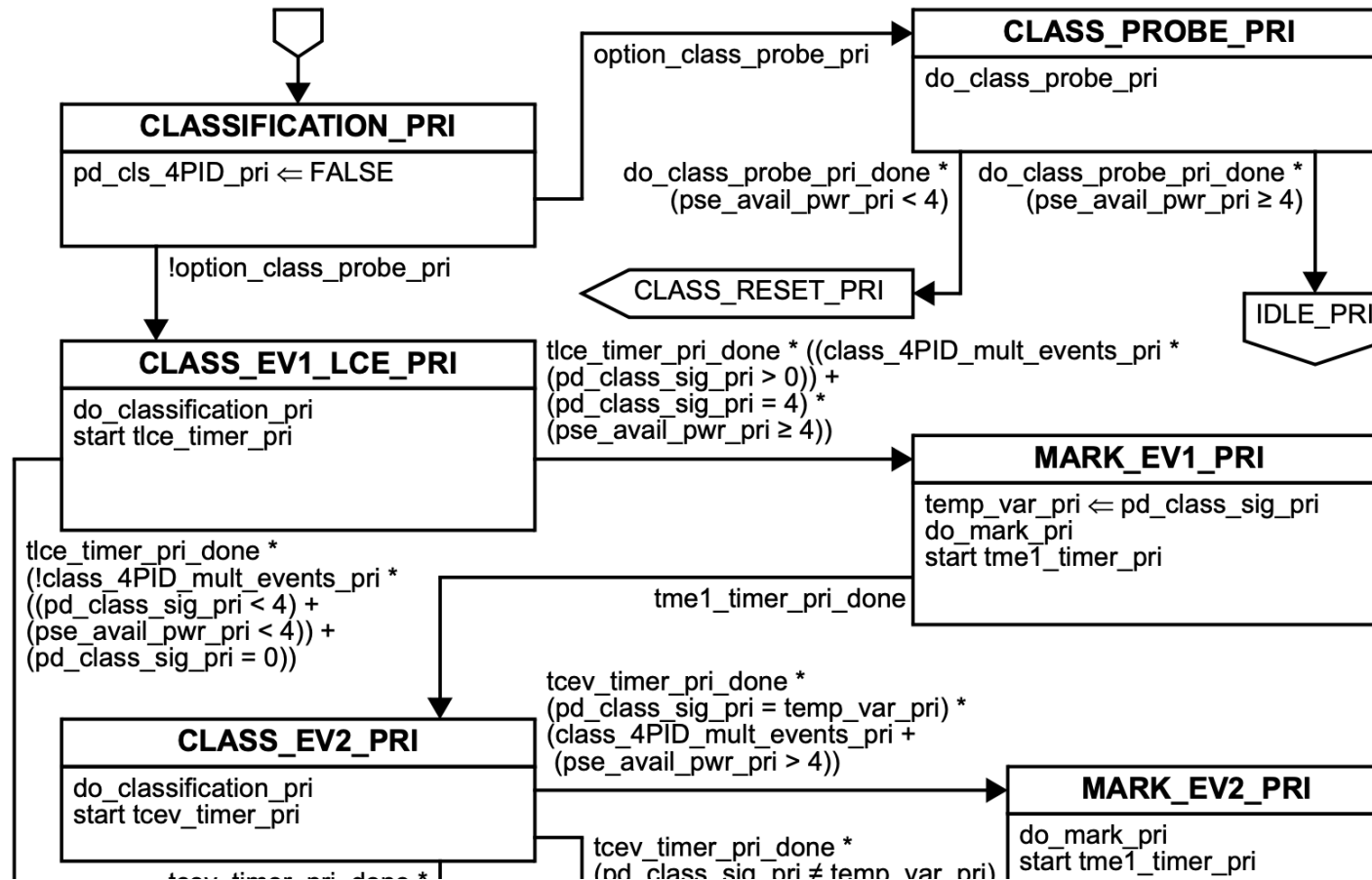


# DS PSE SD MODIFICATION

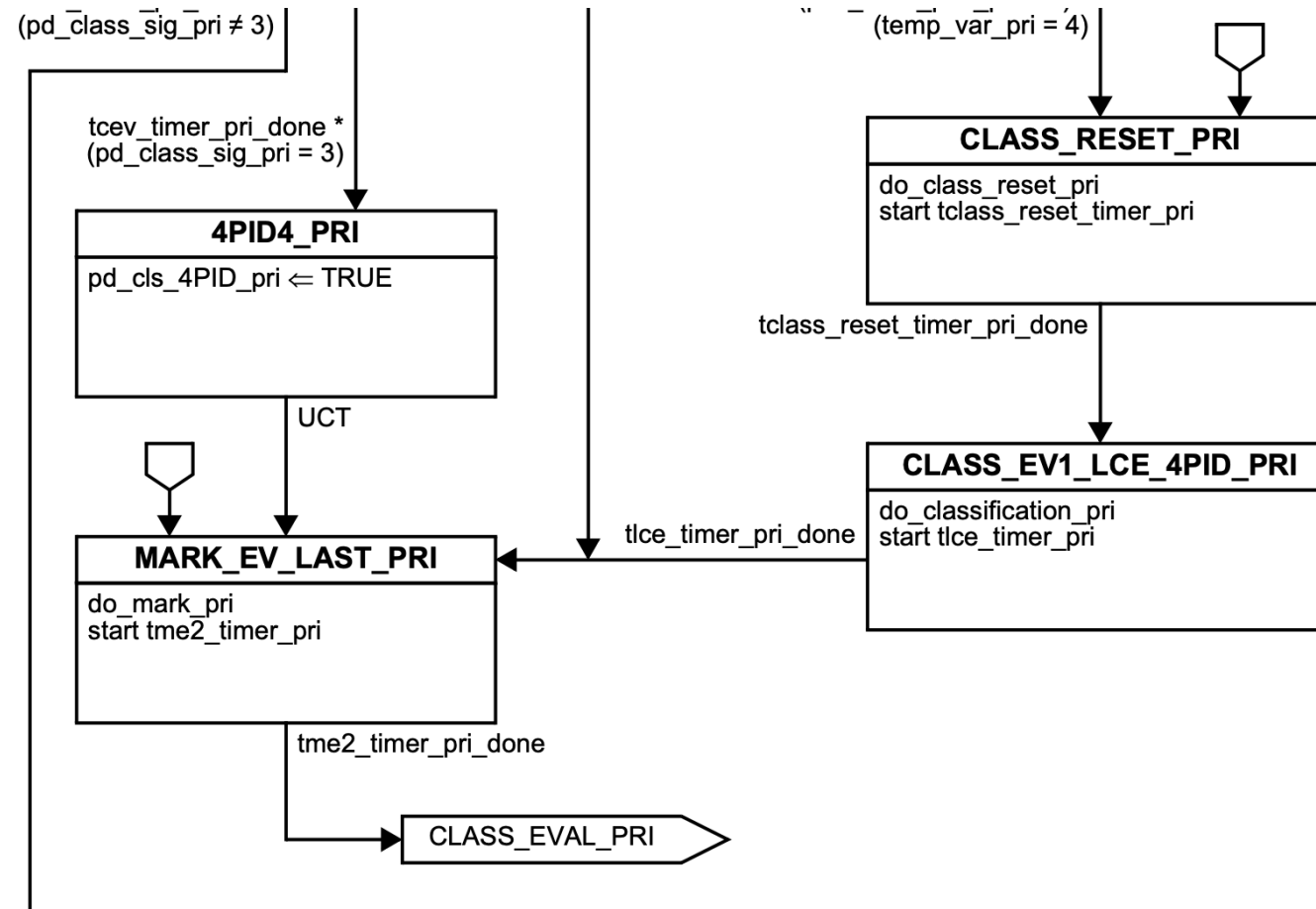
Chad Jones

Cisco Systems, Inc.

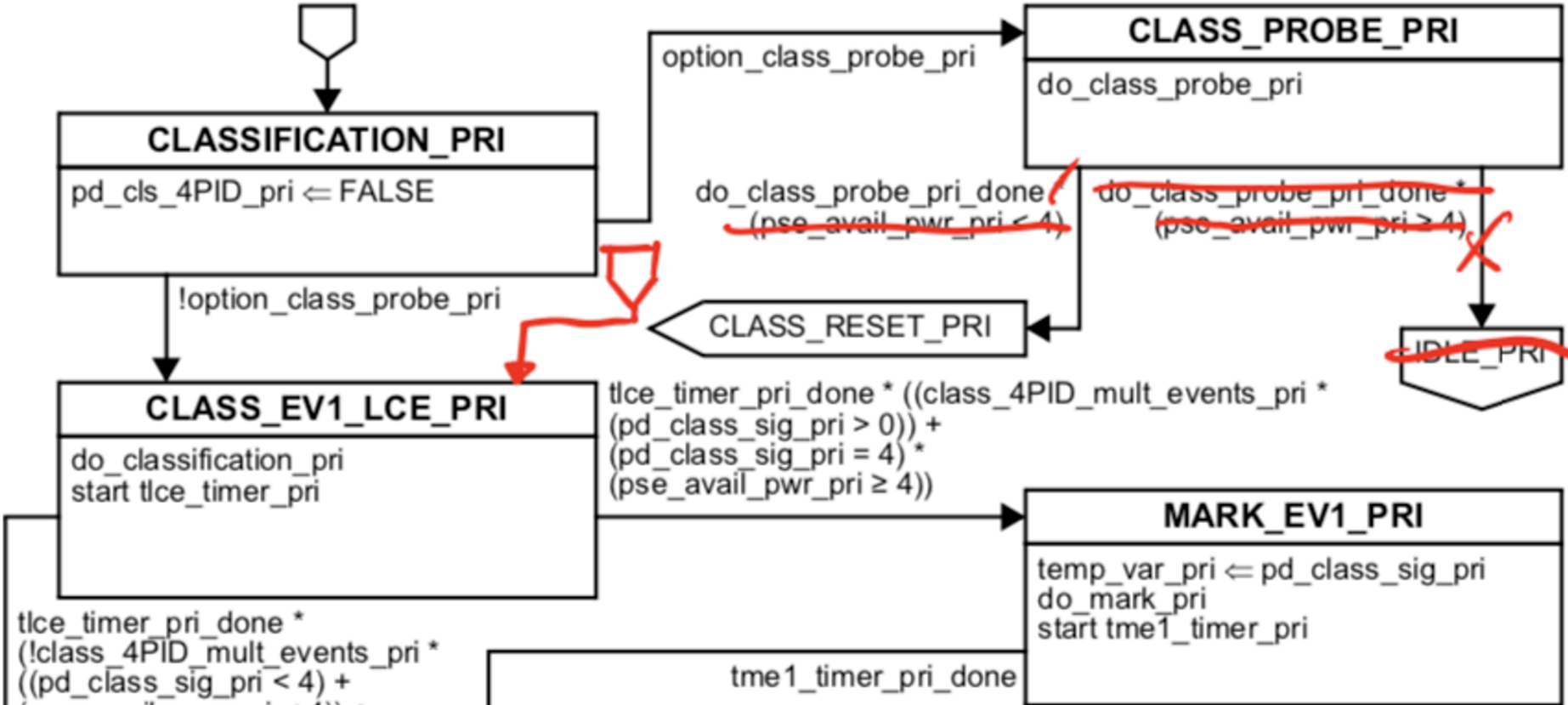
# Primary Alternative dual-signature semi-independent PSE state diagram



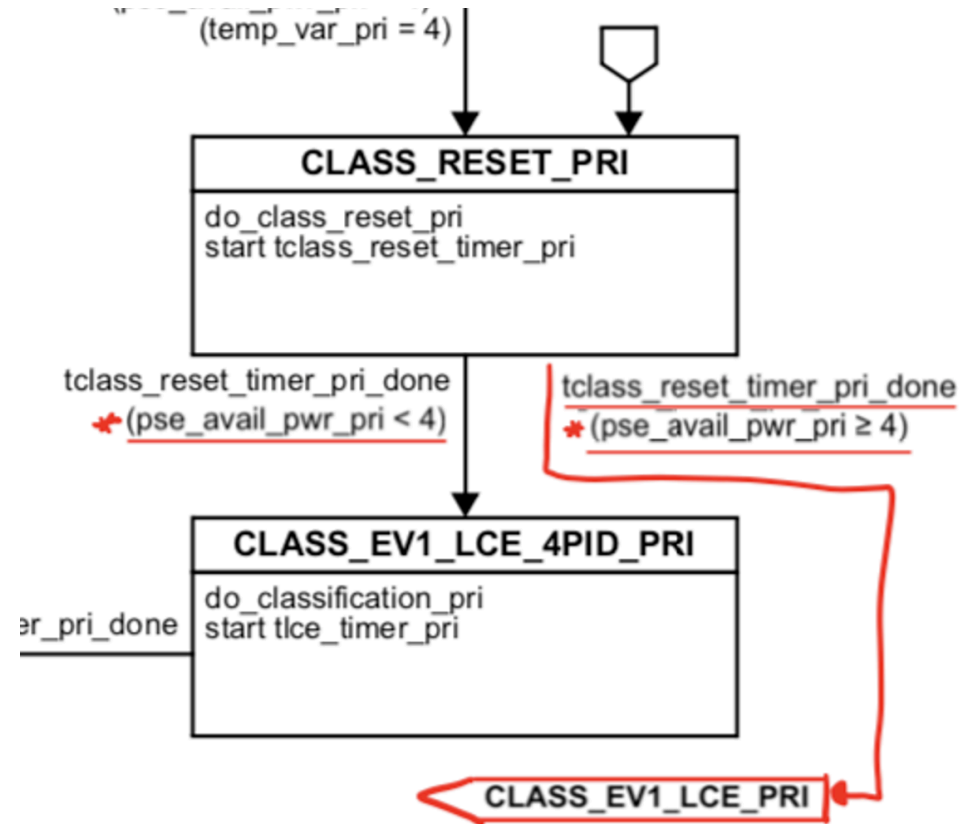
# Primary Alternative dual-signature semi-independent PSE state diagram



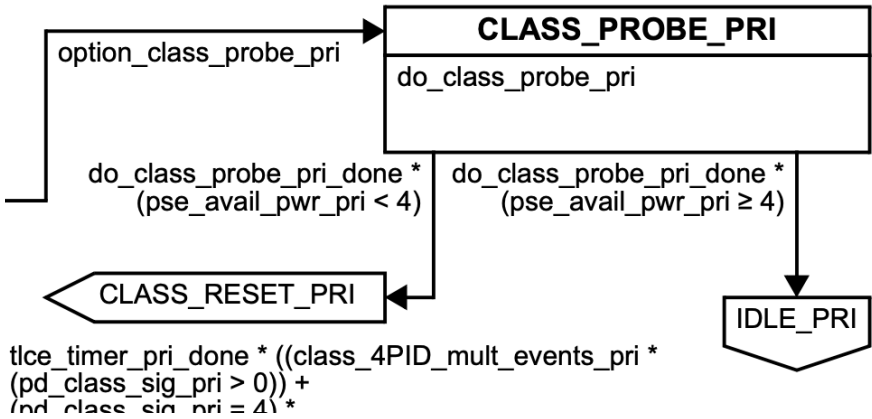
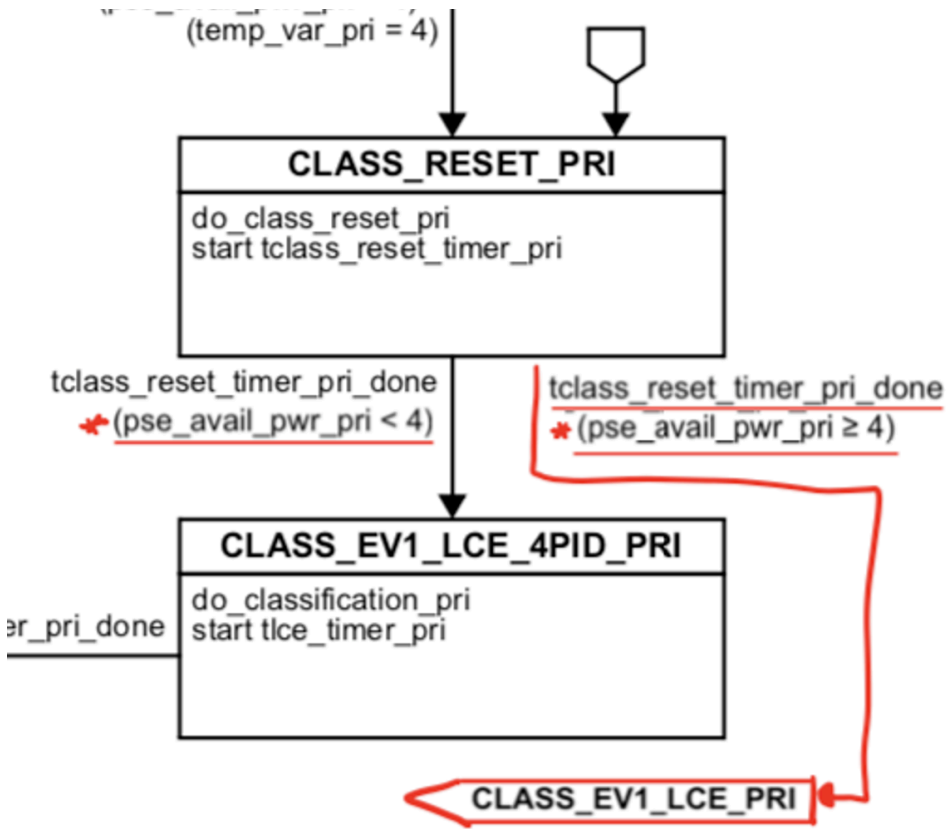
# Modifications



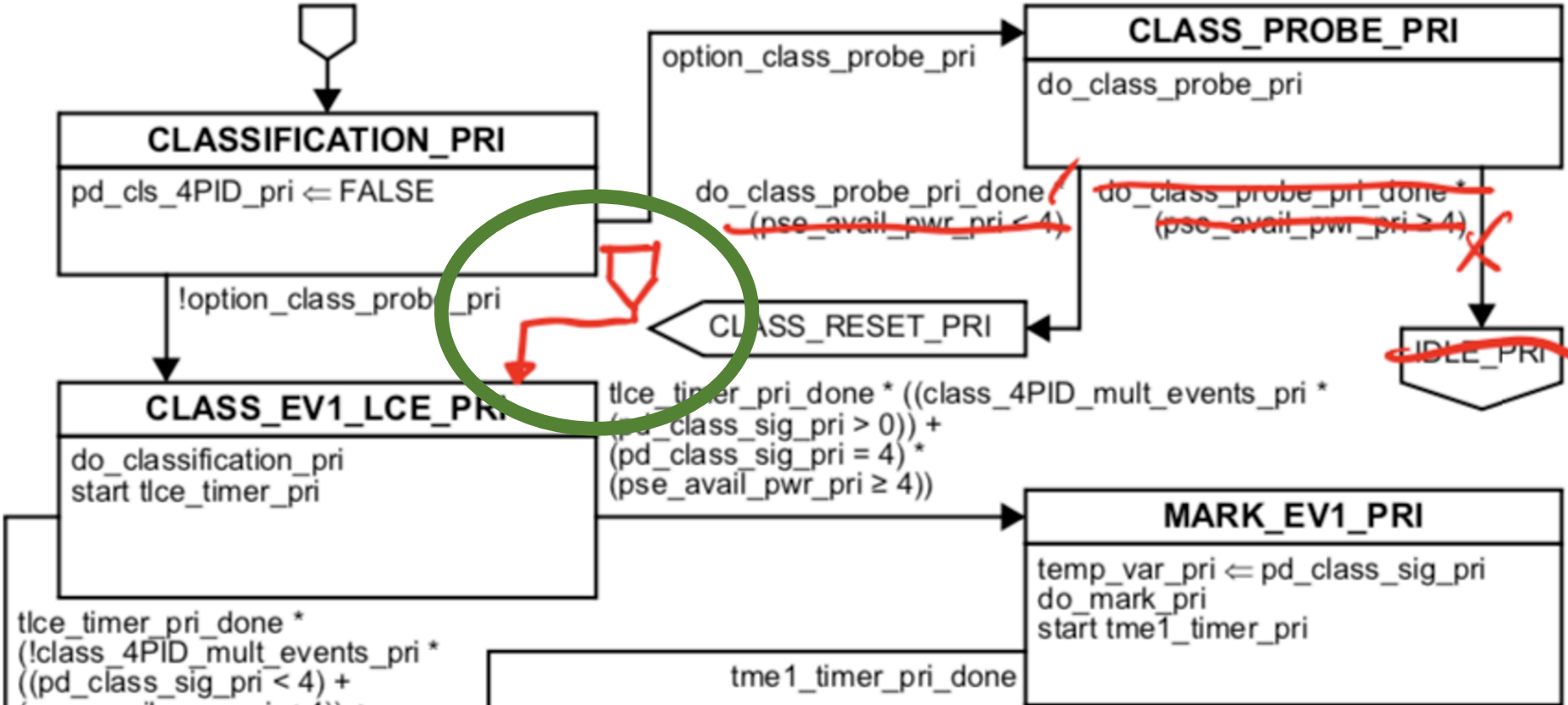
# Modifications continued



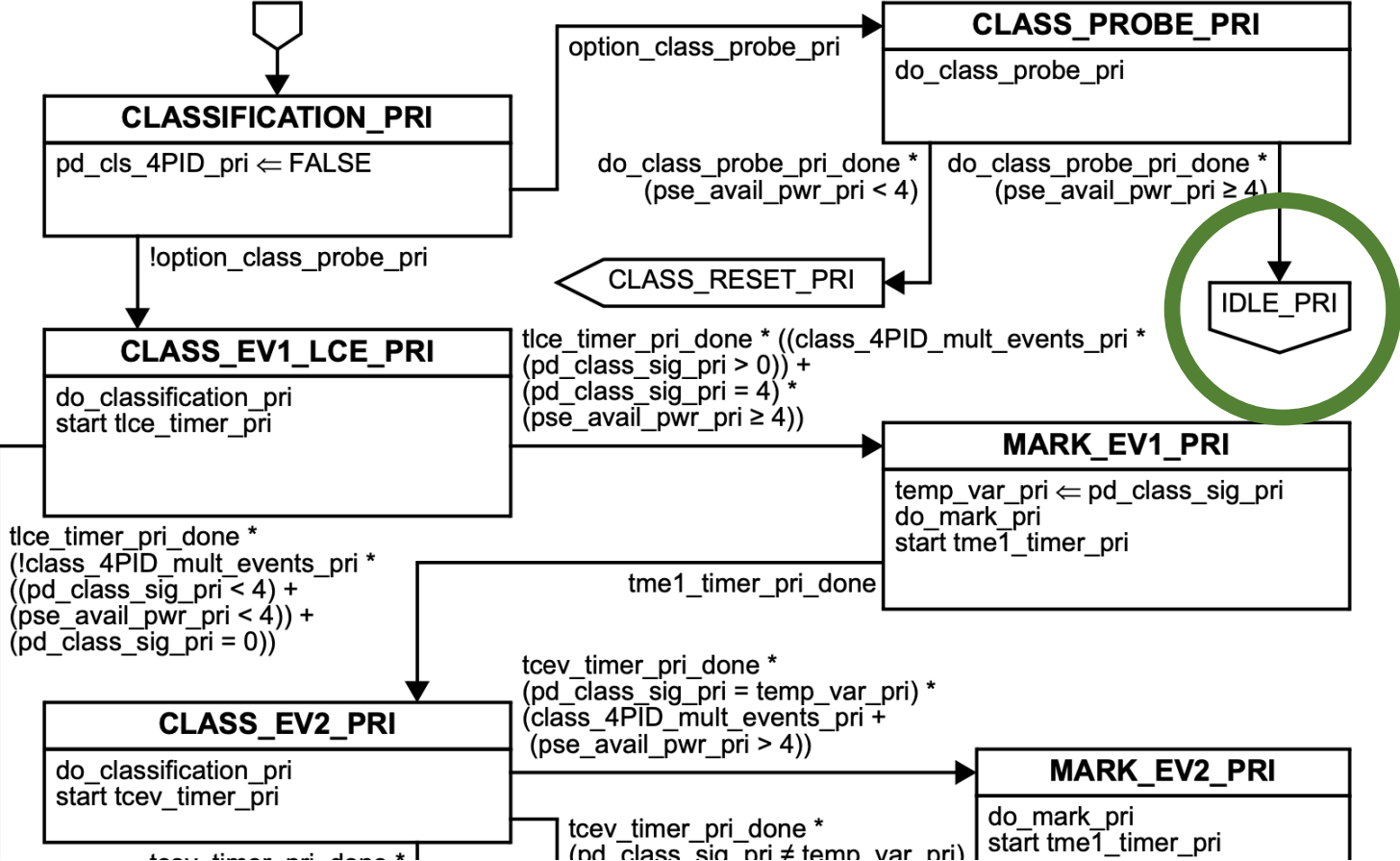
# Modifications continued



# Modifications continued



# Modifications continued



pse\_enable  
 A variable that selects PSE operation. This variable may be set by the PSE at any time. Values:  
 disable: All PSE functions disabled (behavior is as if there was no PSE functionality).  
 enable: Normal PSE operation.



Questions?