
IEEE 802.3ah

Ethernet in the First Mile

Task Force

Agenda and General Information

Fairmont Hotel Vancouver
6-January-2003

Ethernet in the First Mile
IEEE 802.3ah Task Force

Agenda

- **Welcome and introductions**
- **Objectives for this meeting**
- **Reflector and WWW site**
- **Call for Patents**
- **IEEE standards process**
 - **Reviewing draft D1.2 (and 1.1a)**
- **Liaison letter(s)**
- **Big Ticket Items**
 - **EPON FEC bursting**
 - **EPON optics timing parameters**
 - **Copper PHY encapsulation**
 - **Long reach copper PHY baseline proposals**
- **Split into tracks**
- **Motion madness**
- **Future meetings**

Ethernet in the First Mile
IEEE 802.3ah Task Force

802.3ah Officers

- Howard Frazier, 802.3ah Chair, millardo@dominetsystems.com
- Gerry Pesavento, P2MP Chair, gerry.pesavento@teknovus.com
- Hugh Barrass, Copper Chair, hbarrass@cisco.com
- Vipul Bhatt, Optics Chair, vipul_bhatt@ieee.org
- Matt Squire, OAM Chair, mattsquire@acm.org
- Ariel Maislos, P2MP Editor, ariel.maislos@passave.com
- Behrooz Rezvani, Copper Editor, behrooz@ikanos.com
- Wael Diab, Optics Editor, wdiab@cisco.com
- Kevin Daines, OAM Editor, kevin.daines@worldwidepackets.com
- Scott Simon, Recording Secretary, ssimon@cisco.com

Ethernet in the First Mile
IEEE 802.3ah Task Force

Objectives for this meeting

- Respond to comments on P802.3ah™/D1.2 (and 1.1a)
- Big Ticket Items:
 - EPON FEC Bursting
 - EPON optical timing parameters
 - Copper PHY encapsulation method
 - Long reach copper PHY baseline proposals

Reflector and web

- To subscribe to our reflector(s), send email to:

majordomo@ieee.org

and include one or more of the following
in the *body of the message*:

subscribe stds-802-3-efm <your email address>
subscribe stds-802-3-efm-copper <your email address>
subscribe stds-802-3-efm-p2mp <your email address>
subscribe stds-802-3-efm-p2p <your email address>
subscribe stds-802-3-efm-oam <your email address>

- Our email reflector policy is described at:

<http://www.ieee802.org/3/efm/reflector.html>

**Ethernet in the First Mile
IEEE 802.3ah Task Force**

Reflector and web

- Our web site is located at:
<http://www.ieee802.org/3/efm>
- Our private web site is located at:
<http://www.ieee802.org/3/efm/private>

username:
password:

This is where we keep draft documents, and where a set of ITU-T recommendations and drafts is stored

Do NOT distribute this URL, username and password

Do NOT copy or distribute the documents on this site

Ethernet in the First Mile
IEEE 802.3ah Task Force

IEEE-SA Standards Board Bylaws

on Patents in Standards

6. Patents

IEEE standards may include the known use of patent(s), including patent applications, provided the IEEE receives assurance from the patent holder or applicant with respect to patents essential for compliance with both mandatory and optional portions of the standard. This assurance shall be provided without coercion and prior to approval of the standard (or reaffirmation when a patent becomes known after initial approval of the standard). This assurance shall be a letter that is in the form of either

- a) A general disclaimer to the effect that the patentee will not enforce any of its present or future patent(s) whose use would be required to implement the proposed IEEE standard against any person or entity using the patent(s) to comply with the standard or
- b) A statement that a license will be made available without compensation or under reasonable rates, with reasonable terms and conditions that are demonstrably free of any unfair discrimination

This assurance shall apply, at a minimum, from the date of the standard's approval to the date of the standard's withdrawal and is irrevocable during that period.

**Ethernet in the First Mile
IEEE 802.3ah Task Force**

Approved by IEEE-SA Standards Board – December 2002

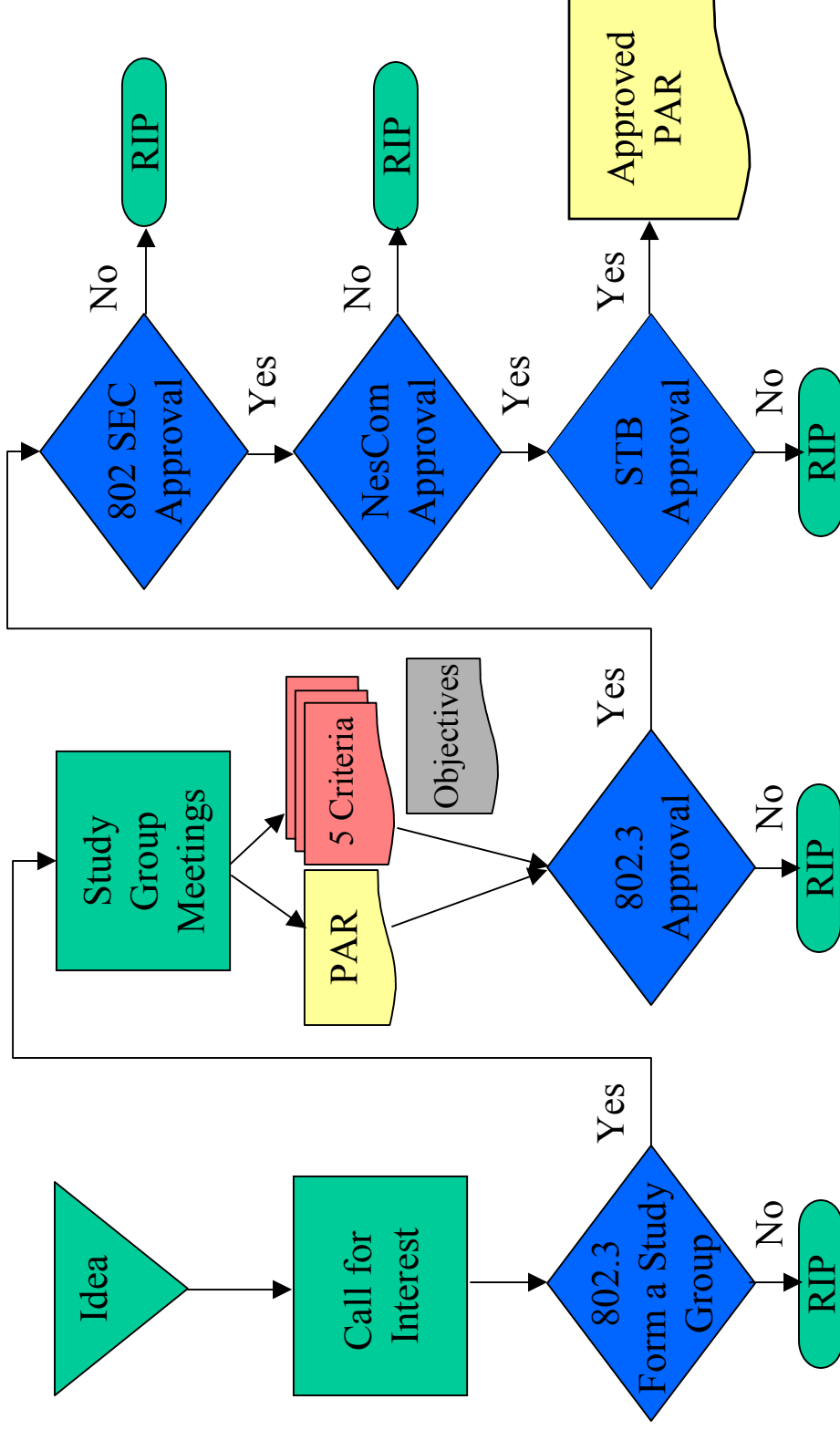
Inappropriate Topics for IEEE WG Meetings

- Don't discuss licensing terms or conditions
- Don't discuss product pricing, territorial restrictions or market share
- Don't discuss ongoing litigation or threatened litigation
- Don't be silent if inappropriate topics are discussed... do formally object.

**If you have questions,
contact the IEEE Patent Committee Administrator
at patcom@ieee.org**

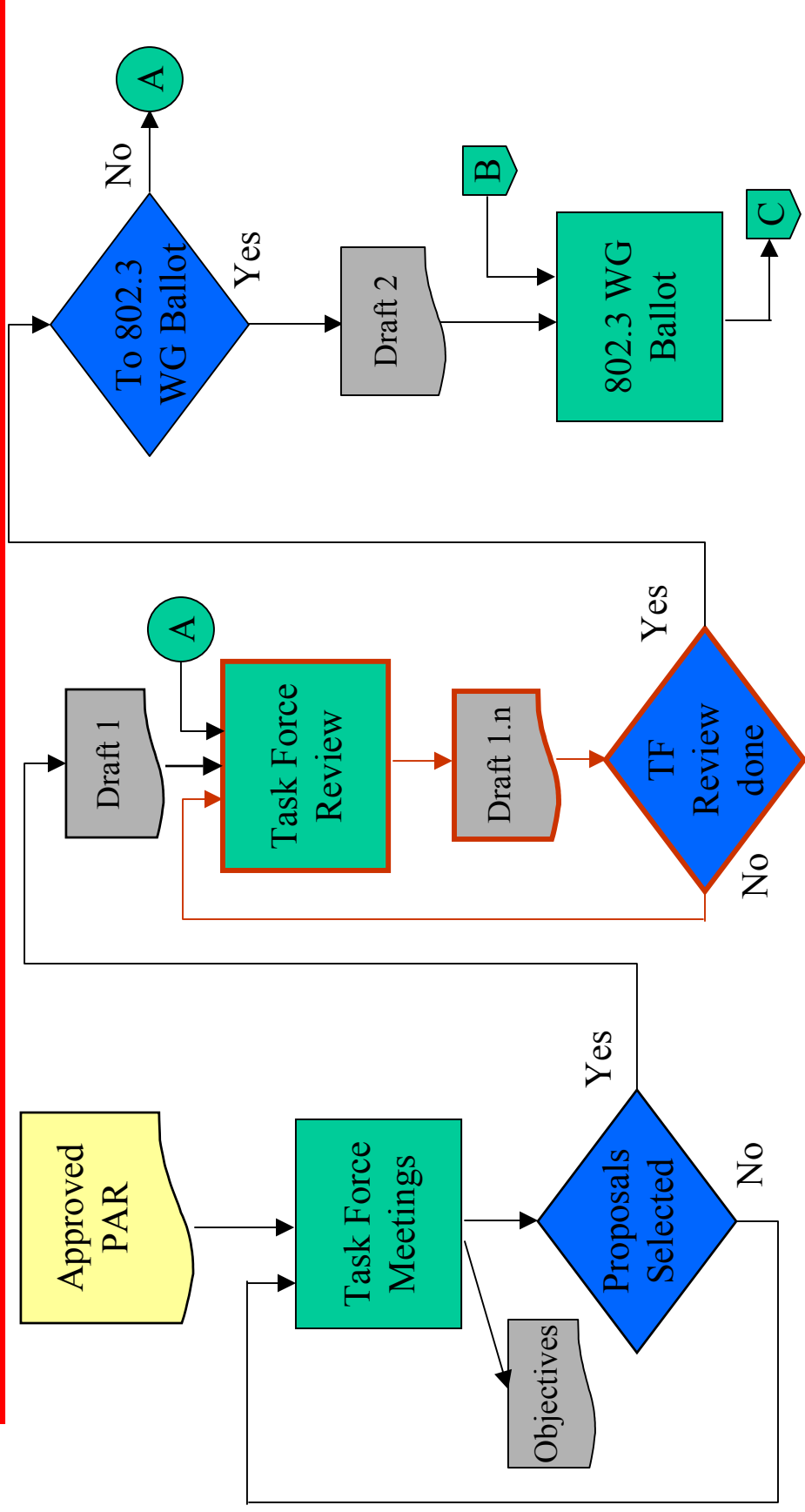
**Ethernet in the First Mile
IEEE 802.3ah Task Force**

IEEE standards process



Ethernet in the First Mile
IEEE 802.3ah Task Force

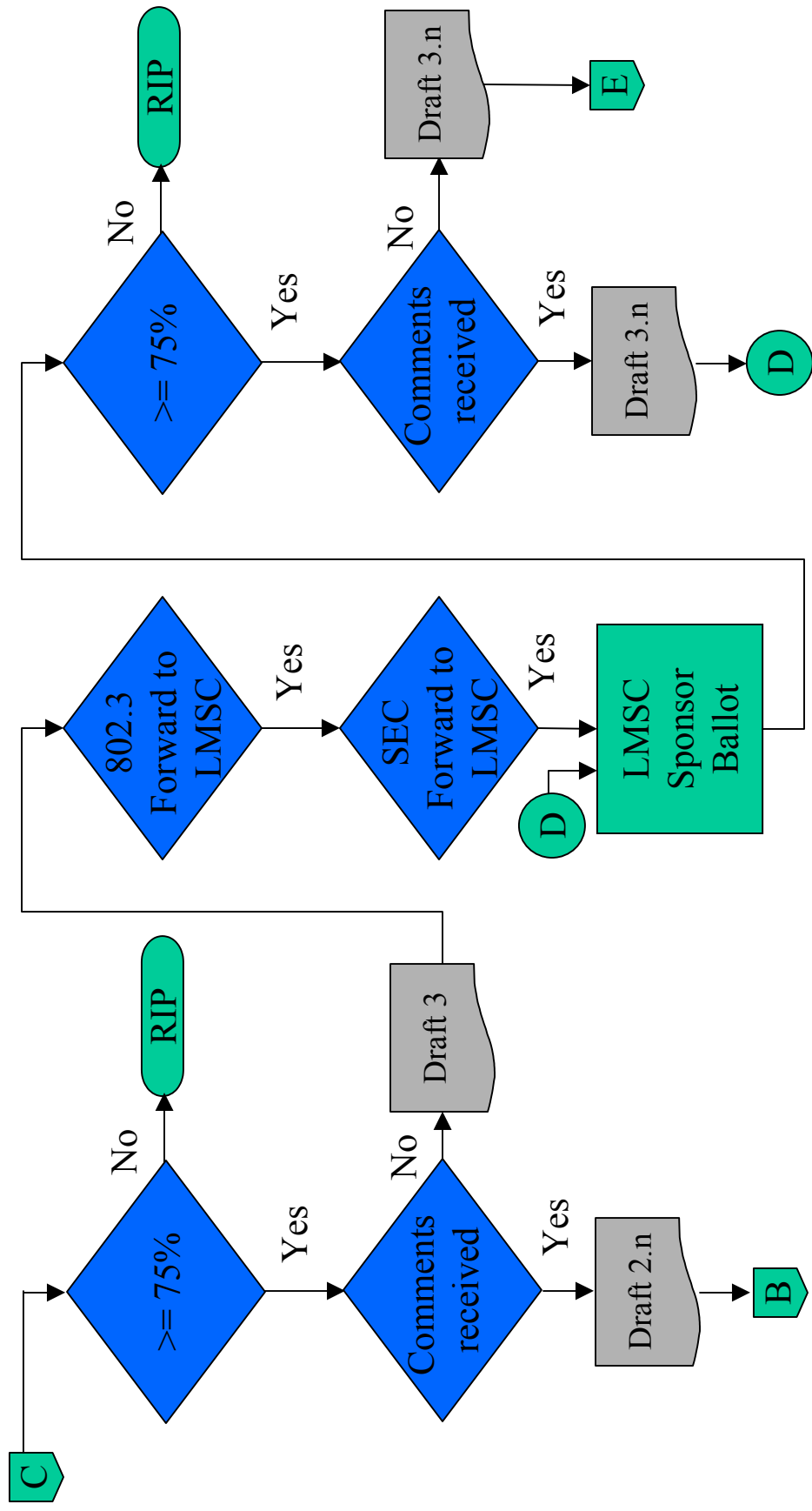
IEEE standards process



Ethernet in the First Mile
IEEE 802.3ah Task Force

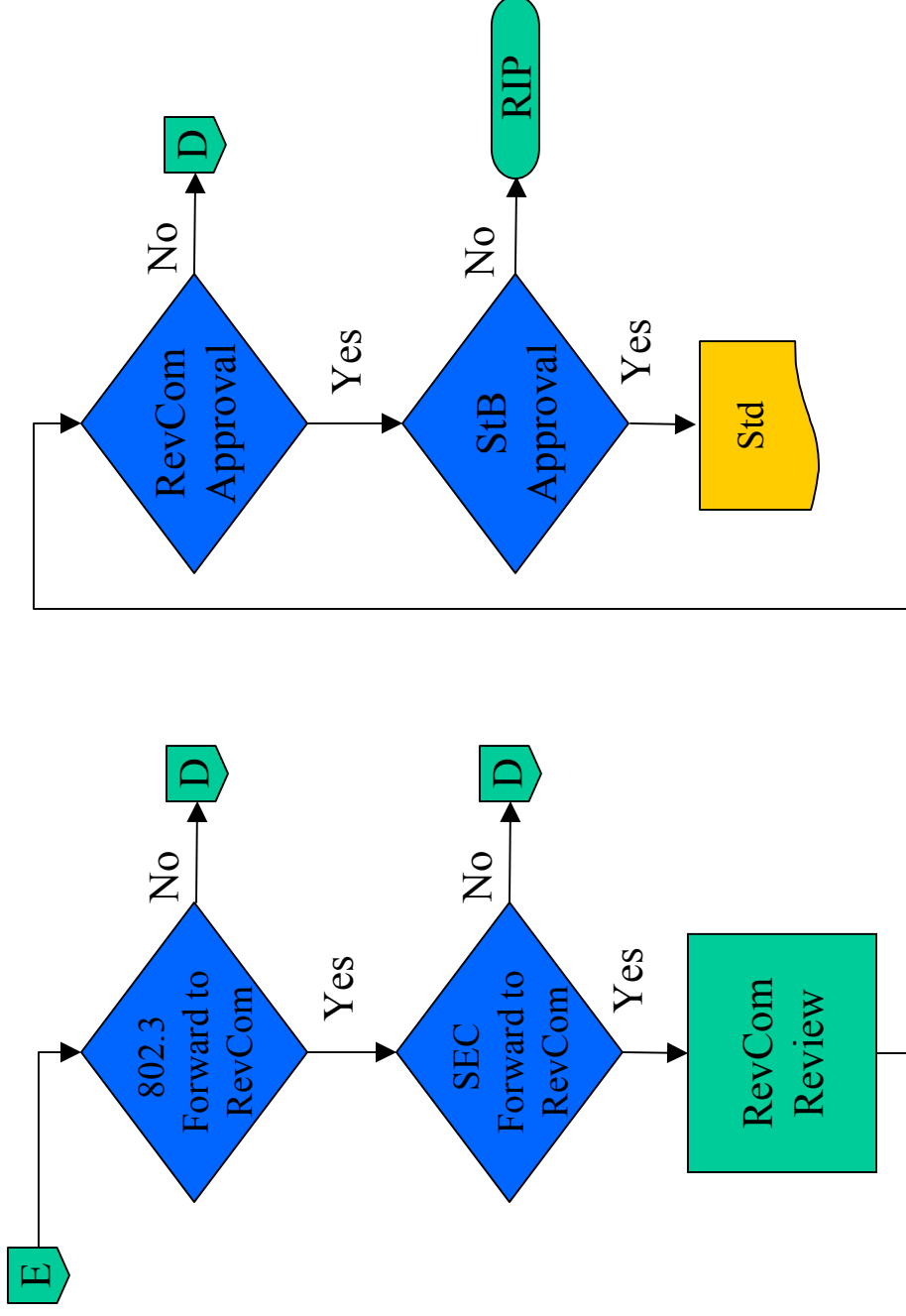


IEEE standards process



Ethernet in the First Mile
IEEE 802.3ah Task Force

IEEE standards process

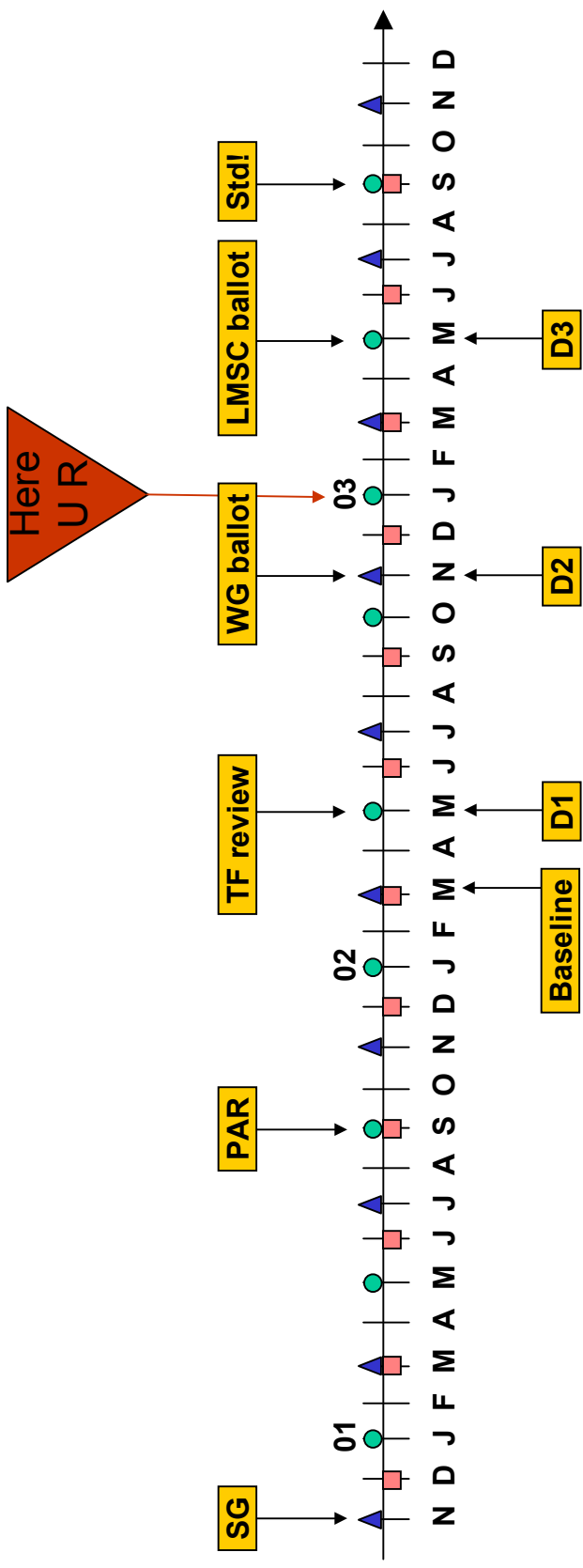


Ethernet in the First Mile
IEEE 802.3ah Task Force

Schedule risk

- Our schedule will suffer a substantial slip
- The causes for the slip are:
 - **Time frame for decision on 10PASS-T line code**
 - ✓ Proposed addition of EPON FEC Bursting
 - ✓ Lack of concensus on EPON Optical PMD timing parameters
 - ✓ Lack of concensus on copper PHY encapsulation
 - ✓ Lack of concensus on 2BASE/PASS-T line code

Previously adopted timeline

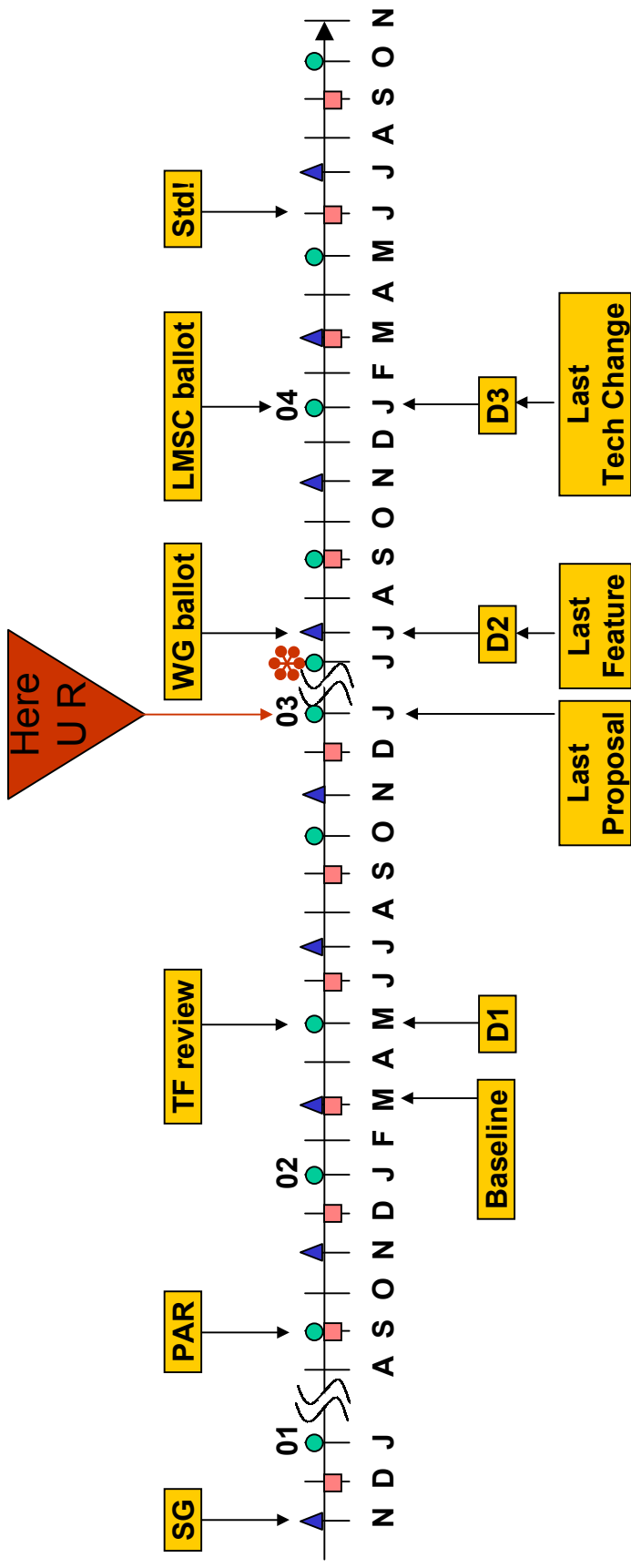


- ▲ 802 Plenary
- 802.3 Interim
- IEEE-SA Standards Board



Ethernet in the First Mile
IEEE 802.3ah Task Force

New adopted timeline



- T1E1 Decision
- 802 Plenary
- 802.3 Interim
- IEEE-SA Standards Board

Adopted by IEEE 802.3ah 9-January-2003

Ethernet in the First Mile
IEEE 802.3ah Task Force

Reviewing draft D1.2

- Our editors have produced P802.3ah/D1.2 (and 1.1a), using D1.1 plus the comments that we resolved in Kauai
- The number of comments dropped off substantially between D1.1 and D1.2
- We must craft and adopt a response to each comment
- Our editors will produce P802.3ah/D1.3 after this meeting, based on the comment responses
- We will continue the Task Force review process

Liaison letters

- Letter received from T1E1



Ethernet in the First Mile
IEEE 802.3ah Task Force



802.3ah Officers (New)

- Howard Frazier, 802.3ah Chair, millardo@dominetsystems.com
- Hugh Barrass, 802.3ah Vice Chair, hbarrass@cisco.com
- Behrooz Rezvani, Executive Secretary, behrooz@ikanos.com
- Scott Simon, Recording Secretary, ssimon@cisco.com
- Wael Diab, 802.3ah Editor in Chief, wdiab@cisco.com
- Gerry Pesavento, P2MP Chair, gerry.pesavento@teknovus.com
- Vipul Bhatt, Optics Chair, vipul_bhatt@ieee.org
- Matt Squire, OAM Chair, mattsquire@acm.org
- Barry O'Mahony, Copper Chair, barry.omahony@intel.com
- Ariel Maislos, P2MP Editor, ariel.maislos@passave.com
- Thomas Murphy, Optics Editor, thomas.murphy@infineon.com
- Kevin Daines, OAM Editor, kevin.daines@worldwidepackets.com
- Michael Beck, Copper Editor, michael.beck@alcatel.be

Affirmed by IEEE 802.3ah 6-January-2003

Ethernet in the First Mile
IEEE 802.3ah Task Force

Plan for the week

	MON	TUE	WED	THU					
8:00	802.3ah EFM Task Force Opening Session Pacific Ballroom	P2MP (EPON) Wadding- ton	Optics Pacific	OAM Cortes Island	Copper Vancouver Island	P2MP (EPON) Wadding- ton	Optics Pacific	OAM Cortes Island	Copper Vancouver Island
8:30									
9:00									
9:30									
10:00									
10:30									
11:00	Lunch (provided)	Lunch (provided)	Lunch (provided)	Lunch (provided)					
11:30									
12:00	802.3ah EFM Task Force Opening Session Pacific Ballroom	P2MP (EPON) Wadding- ton	Optics Pacific	OAM Cortes Island	Copper Vancouver Island	P2MP (EPON) Wadding- ton	Optics Pacific	OAM Cortes Island	Copper Vancouver Island
12:30									
1:00									
1:30									
2:00									
2:30									
3:00									
3:30									
4:00									
4:30									
5:00									
5:30									
6:00	Dinner break	Dinner break	Dinner break	Dinner break					
6:30									
7:00	802.3ah EFM Task Force Closing Session Pacific Ballroom	802.3ah EFM Task Force Closing Session Pacific Ballroom	802.3ah EFM Task Force Closing Session Pacific Ballroom	802.3ah EFM Task Force Closing Session Pacific Ballroom	802.3ah EFM Task Force Closing Session Pacific Ballroom	802.3ah EFM Task Force Closing Session Pacific Ballroom	802.3ah EFM Task Force Closing Session Pacific Ballroom	802.3ah EFM Task Force Closing Session Pacific Ballroom	802.3ah EFM Task Force Closing Session Pacific Ballroom
7:30									
8:00									
8:30									
9:00									
9:30									



Ethernet in the First Mile
IEEE 802.3ah Task Force



Future meetings

- **10-13 March, 2003, Dallas, TX - IEEE 802 Plenary**
- **12-15 May, 2003, South Korea, hosted by Infineon & Samsung**
- **??-?? June, 2003, TBD, co-located with T1E1.4?**
- **20-25 July, 2003, San Francisco, CA - IEEE 802 Plenary**
- **??-?? Sep, 2003, TBD Italy, hosted by Aethra**

Ethernet in the First Mile
IEEE 802.3ah Task Force