
IEEE 802.3ah
Ethernet in the First Mile
Task Force
Report to 802.3
Agenda and General Information

Hyatt DFW

10-March-2003

Ethernet in the First Mile
IEEE 802.3ah Task Force

Agenda

- Reflector and WWW site
- Report from Vancouver interim meeting
- Objectives for this meeting
- IEEE standards process
 - New timeline
 - Reviewing draft D1.3
- Liaison letter(s)
- Split into tracks
 - P2MP
 - Cu
 - P2P
 - OAM
- Motion madness
- Future meetings

Ethernet in the First Mile
IEEE 802.3ah Task Force

802.3ah Officers (New)

- Howard Frazier, 802.3ah Chair, millardo@dominetsystems.com
- Hugh Barrass, 802.3ah Vice Chair, hbarrass@cisco.com
- Wael Diab, 802.3ah Editor in Chief, wdiab@cisco.com
- Scott Simon, Recording Secretary, ssimon@cisco.com
- Behrooz Rezvani, Executive Secretary, behrooz@ikanos.com
- Gerry Pesavento, P2MP Chair, gerry.pesavento@teknovus.com
- Vipul Bhatt, Optics Chair, vipul_bhatt@ieee.org
- Matt Squire, OAM Chair, mattsquire@acm.org
- Barry O'Mahony, Copper Chair, barry.omahony@intel.com
- Ariel Maislos, P2MP Editor, ariel.maislos@passave.com
- Thomas Murphy, Optics Editor, thomas.murphy@infineon.com
- Kevin Daines, OAM Editor, kevin.daines@worldwidepackets.com
- Michael Beck, Copper Editor, michael.beck@alcatel.be

Affirmed by IEEE 802.3ah 6-January-2003

Ethernet in the First Mile
IEEE 802.3ah Task Force

Reflector and web

- To subscribe to our reflector(s), send email to:

majordomo@ieee.org

and include one or more of the following
in the ***body of the message:***

subscribe stds-802-3-efm <your email address>
subscribe stds-802-3-efm-copper <your email address>
subscribe stds-802-3-efm-p2mp <your email address>
subscribe stds-802-3-efm-p2p <your email address>
subscribe stds-802-3-efm-oam <your email address>

- Our email reflector policy is described at:

<http://www.ieee802.org/3/efm/reflector.html>

**Ethernet in the First Mile
IEEE 802.3ah Task Force**

Reflector and web

- Our web site is located at:
<http://www.ieee802.org/3/efm>
- Our private web site is located at:
<http://www.ieee802.org/3/efm/private>

username:
password:

This is where we keep draft documents, and where a set of ITU-T recommendations and drafts is stored

Do NOT distribute this URL, username and password

Do NOT copy or distribute the documents on this site

Ethernet in the First Mile
IEEE 802.3ah Task Force

Report from Vancouver

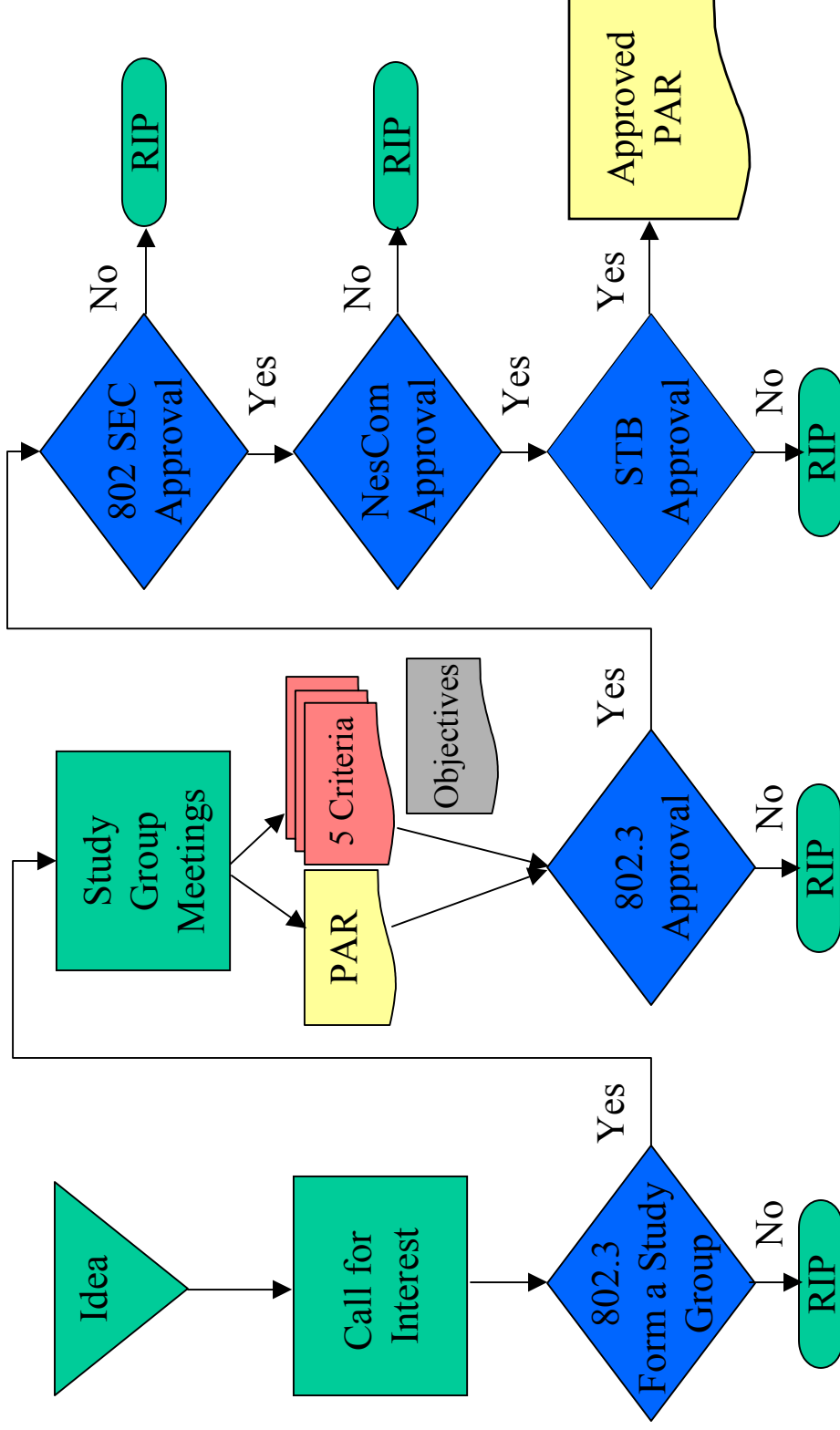
- 4 day meeting - January 6-9 - hosted by IEEE 802 LMSC
- ~140 attendees in 802.3ah, ~250 overall
- Reviewed P802.3ah/D1.2
- Responded to 713 comments
- Big ticket items resolved!
 - Rejected EPON FEC bursting
 - Adopted EPON optical timing parameters
 - Adopted a copper PHY encapsulation method
 - Adopted a long reach copper PHY baseline proposal
- Sent letter to T1E1

Objectives for this meeting

- Respond to comments on P802.3ah™/D1.3
- Big Ticket Items:
 - Extended temperature optics
 - Copper PHY management
 - 10Gig or not 10Gig?

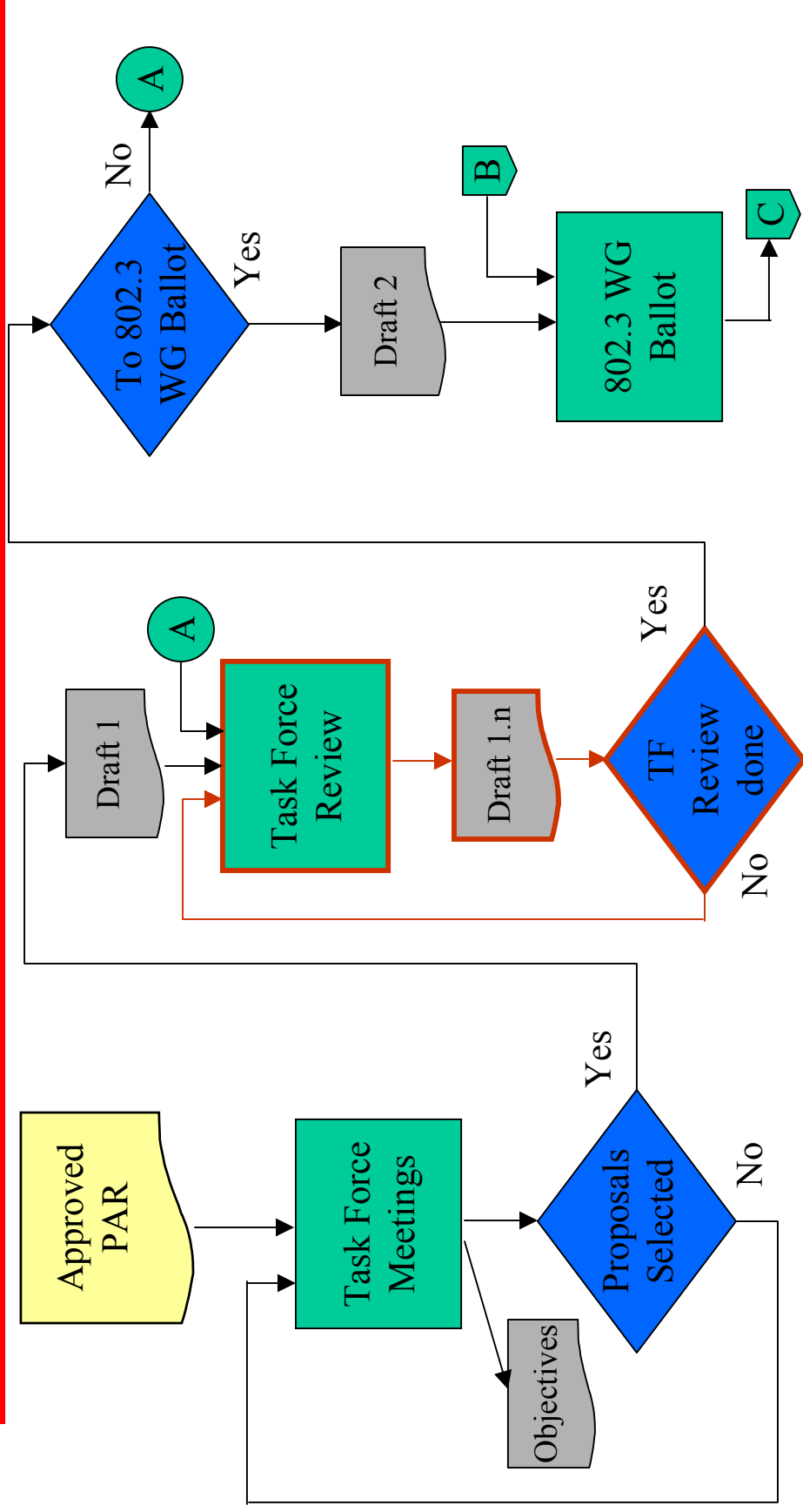
Ethernet in the First Mile
IEEE 802.3ah Task Force

IEEE standards process



Ethernet in the First Mile
IEEE 802.3ah Task Force

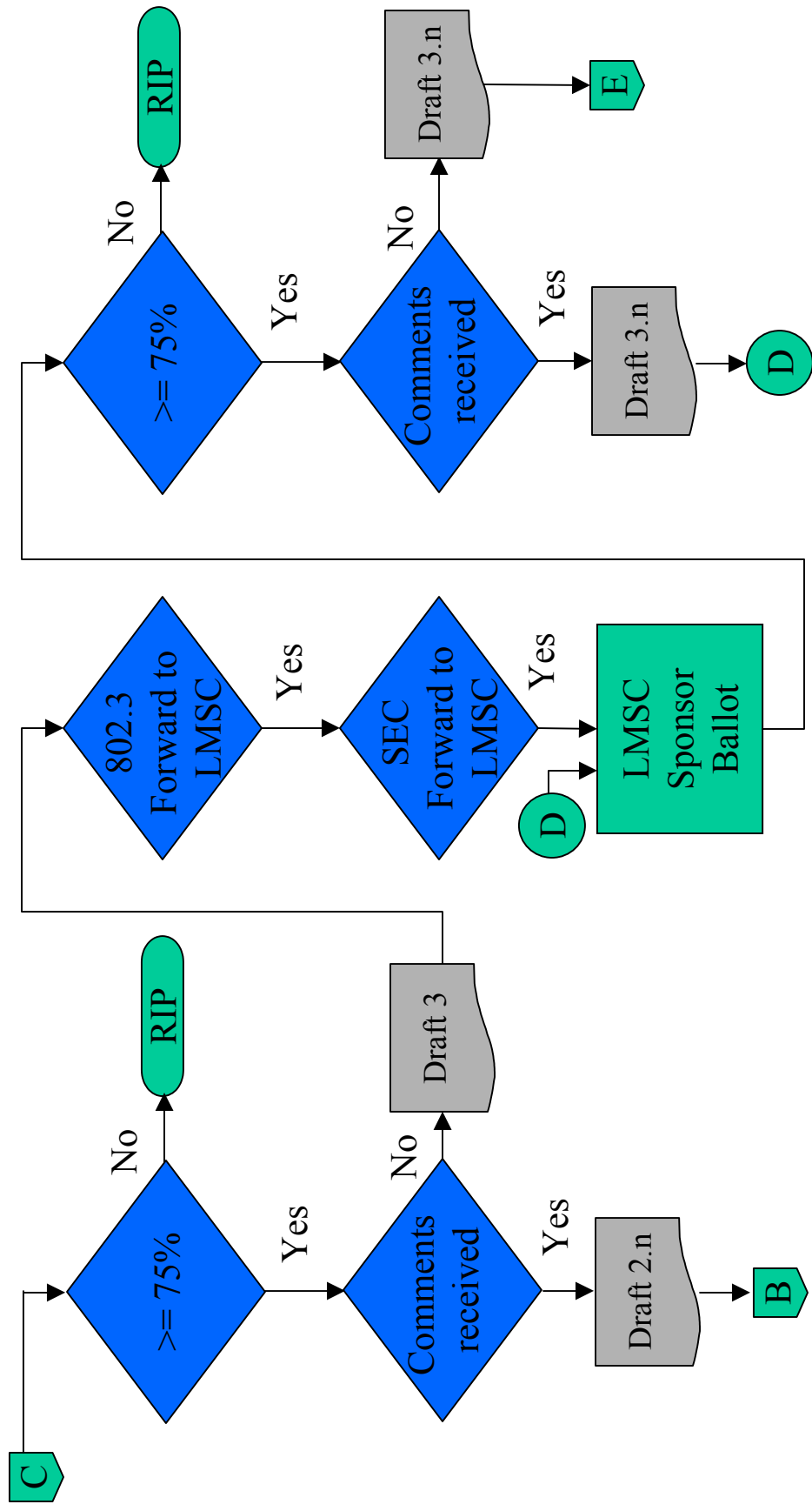
IEEE standards process



Ethernet in the First Mile
IEEE 802.3ah Task Force

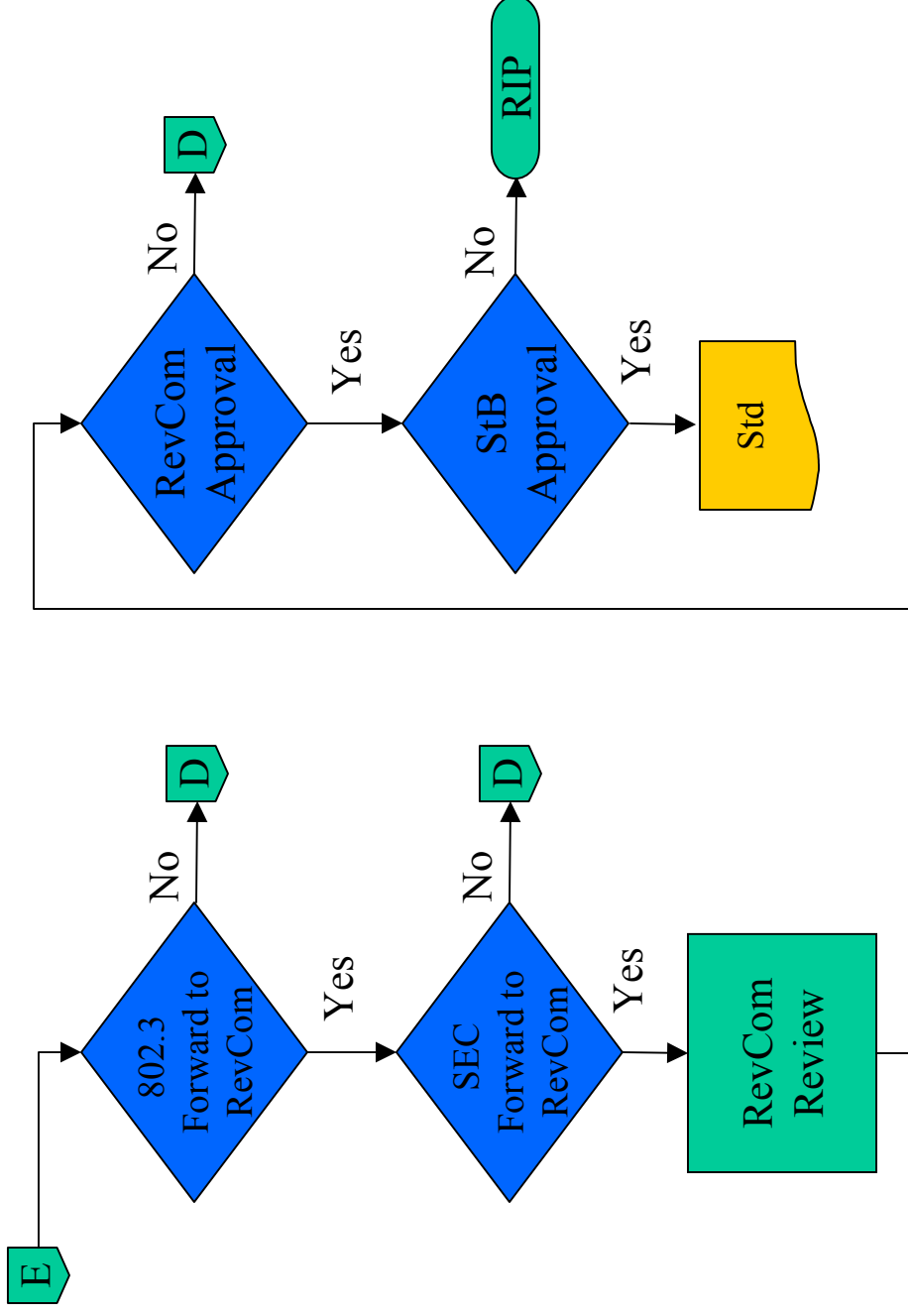


IEEE standards process



Ethernet in the First Mile
IEEE 802.3ah Task Force

IEEE standards process

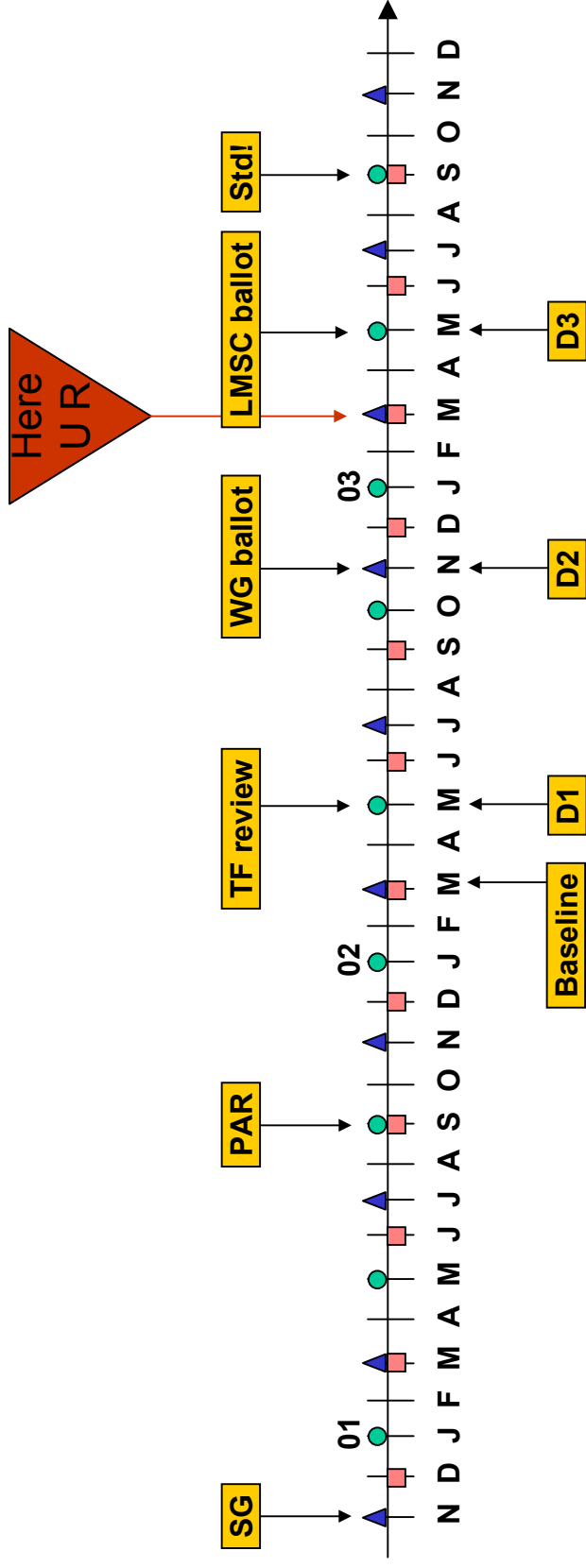


Ethernet in the First Mile
IEEE 802.3ah Task Force

Schedule risk

- Our schedule has suffered a substantial slip
- The causes for the slip include:
 - ✓ Delay in adopting FEC baseline
 - ✓ Delay in adopting EPON optical timing parameters
 - ✓ Delay in adopting a copper PHY encapsulation baseline
 - ✓ Delay in adopting a long reach copper PHY baseline
- **Time frame for decision on 10PASS-T line code**

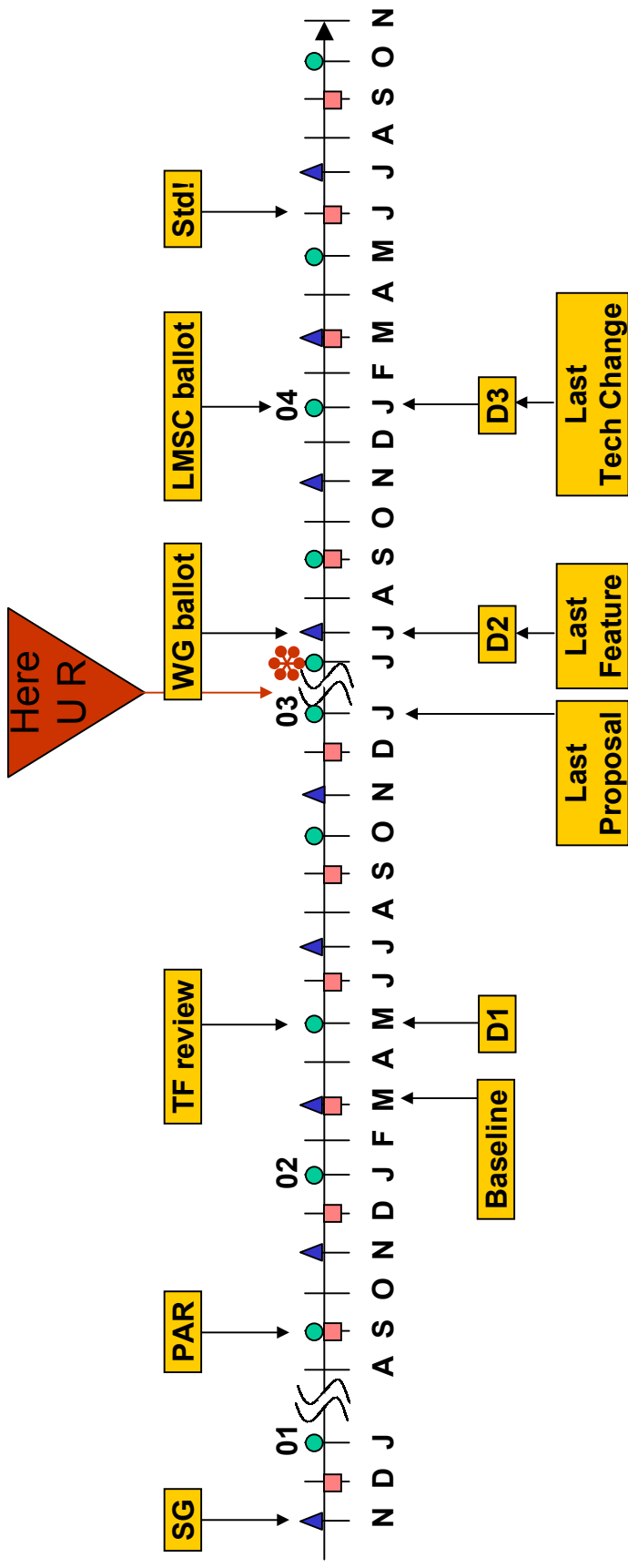
Previously adopted timeline



- ▲ 802 Plenary
- 802.3 Interim
- IEEE-SA Standards Board

Ethernet in the First Mile
IEEE 802.3ah Task Force

Newly adopted timeline



- T1E1 Decision
- 802 Plenary
- 802.3 Interim
- IEEE-SA Standards Board

Adopted by IEEE 802.3ah 9-January-2003

Ethernet in the First Mile
IEEE 802.3ah Task Force

Reviewing draft D1.3

- Our editors have produced P802.3ah/D1.3, using D1.2 plus the comments that we resolved in Vancouver
- We have received ~1053 comments on D1.3 (Thank you!)
- We must craft and adopt a response to each comment
- Our editors will produce P802.3ah/D $\sqrt{2}$ after this meeting, based on the comment responses
- We will continue the Task Force review process

Liaison letters

- Letter received from T1E1 (Copper)
- Letter received from ITU-T Q4/15 (Copper)
- Letter received from ITU-T Q12/15 (OAM)
- Another letter received from ITU-T Q12/15 (OAM)
- Letter received from ITU-T Q13/4 (OAM)
- Letter received from ITU-T Q14/4 (EPON)
- Letter received from TR42 (Optics)

Ethernet in the First Mile
IEEE 802.3ah Task Force

Plan for the week

	MON	TUE	WED	THU									
8:00	802.3 CSMA/CD Opening Plenary	P2MP (EPON) Cons 11	P2MP (EPON) Cons 11	802.3ah EFM Task Force Closing Session									
8:30					Lunch break	Lunch break	Lunch break						
9:00								OAM Cons 10	OAM Cons 10	Copper Cons 13			
9:30											Optics Cons 12	Optics Cons 12	Copper Cons 13
10:00													
10:30	Social	Copper Cons 13											
11:00			Dinner break	Dinner break	Copper Cons 13								
11:30						Dinner break	Dinner break	Copper Cons 13					
12:00									Dinner break	Dinner break	Copper Cons 13		
12:30												Dinner break	Dinner break
1:00	Tutorial	Tutorial											
1:30			Tutorial	Tutorial	Copper Cons 13								
2:00						Tutorial	Tutorial	Copper Cons 13					
2:30									Tutorial	Tutorial	Copper Cons 13		
3:00												Tutorial	Tutorial
3:30	Tutorial	Tutorial											
4:00			Tutorial	Tutorial	Copper Cons 13								
4:30						Tutorial	Tutorial	Copper Cons 13					
5:00									Tutorial	Tutorial	Copper Cons 13		
5:30												Tutorial	Tutorial
6:00	Tutorial	Tutorial											
6:30			Tutorial	Tutorial	Copper Cons 13								
7:00						Tutorial	Tutorial	Copper Cons 13					
7:30									Tutorial	Tutorial	Copper Cons 13		
8:00												Tutorial	Tutorial
8:30	Tutorial	Tutorial											
9:00			Tutorial	Tutorial	Copper Cons 13								
9:30						Tutorial	Tutorial	Copper Cons 13					



Ethernet in the First Mile
IEEE 802.3ah Task Force



Future meetings

- **12-15 May 2003, Seoul, South Korea - J.W. Marriot**
hosted by Infineon & Samsung
- **23-24 June 2003, Ottawa,**
hosted by Nortel Networks
- **20-25 July 2003, San Francisco,**
IEEE 802 Plenary
- **15-18 September 2003, Ancona Italy,**
hosted by Aethra

Ethernet in the First Mile
IEEE 802.3ah Task Force