

EFM Copper

MIB Organization

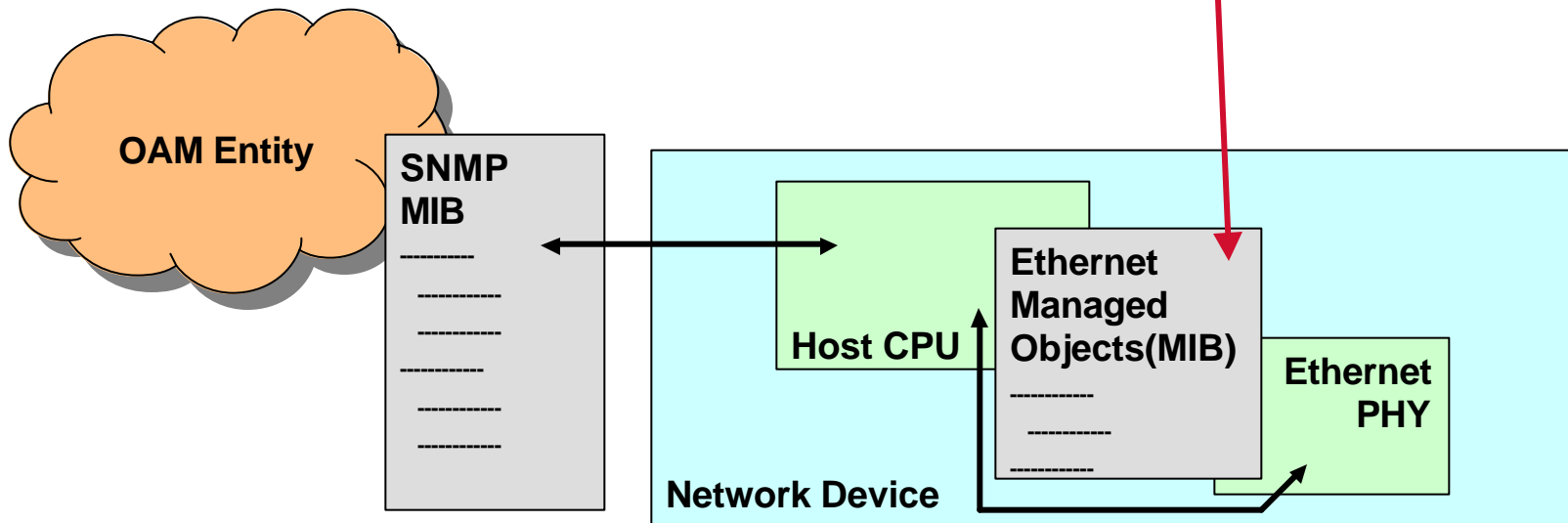
EFM May, 2002

Scott Simon

(Cisco Systems, Inc.)

Introduction

- The copper PHY standard will include a set of managed objects (MIB) to describe and control operation.
- The Copper STF needs to start thinking about how this MIB will be organized.



About the EFM_{Cu} MIB

- There is already a VDSL MIB from the IETF
 - Portions of this MIB may be applicable to our work but
 - IETF MIB applies to the application layer, not the PHY layer
- The PHY MIB is closely related to the physical hardware
 - MIB objects must be non-derived
- How do we represent PHYs, links and loops?
- How do we represent the relationship between local and remote PMD's?

One Possible MIB Heirarchy

