

Logical Port Availability from Carrier's Viewpoint

Yukihiro Fujimoto fujimoto@ansl.ntt.co.jp

Osamu Yoshihara yoshi@ansl.ntt.co.jp

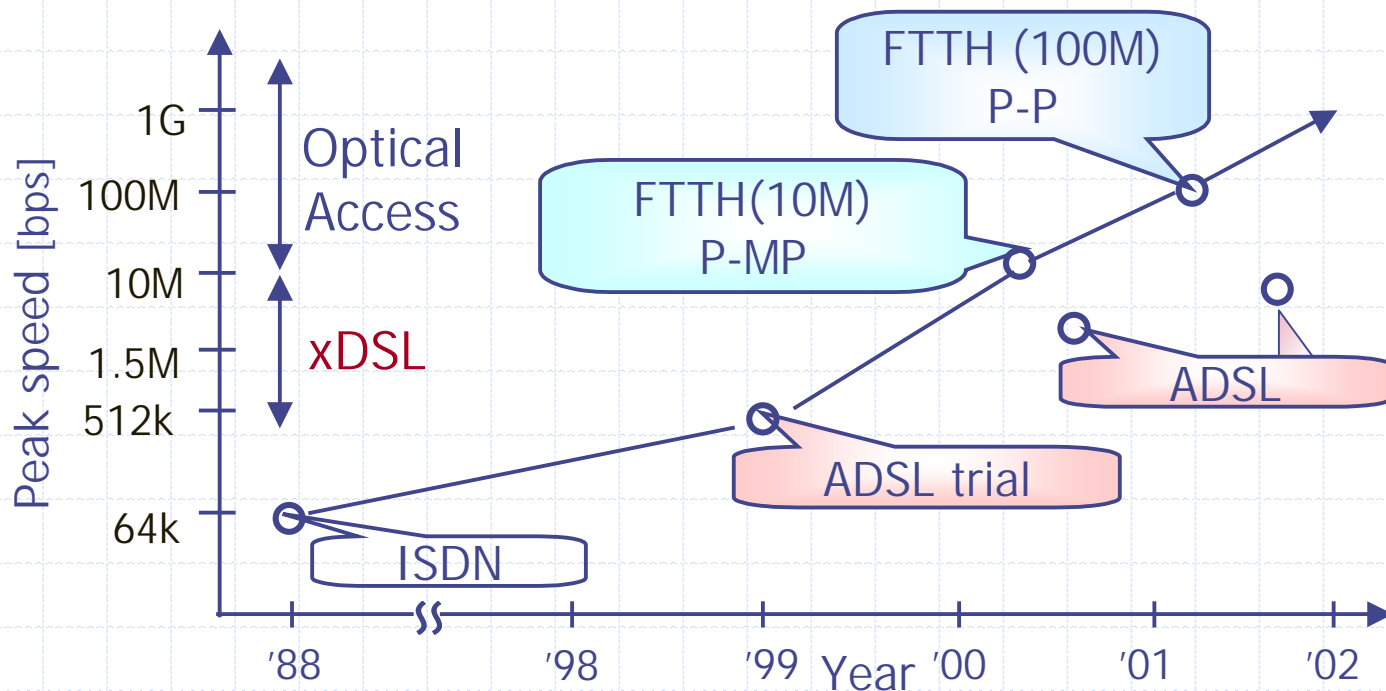
Noriyuki Oota oota@ansl.ntt.co.jp

Noriki Miki noriki@ansl.ntt.co.jp

NTT Access Network Service Systems Laboratories

BB Access Services in NTT

- Broadband access services with low tariff available in Japan.
 - Internet access and Inter-LAN connection services



Non-Flexible Issues of Existing Services

- ◆ Restrict customers to use VLAN
 - Segregate user traffic by using VLAN on P-MP for security reason
 - Single ONU cannot accommodate multiple users

- ◆ Not support multiple grades of services
 - Single ONU cannot accommodate multiple grades of services

Logical Port Availability

◆ Achieving flexibility

- User traffic segregation without VLAN
- Accommodate multiple users and multiple services

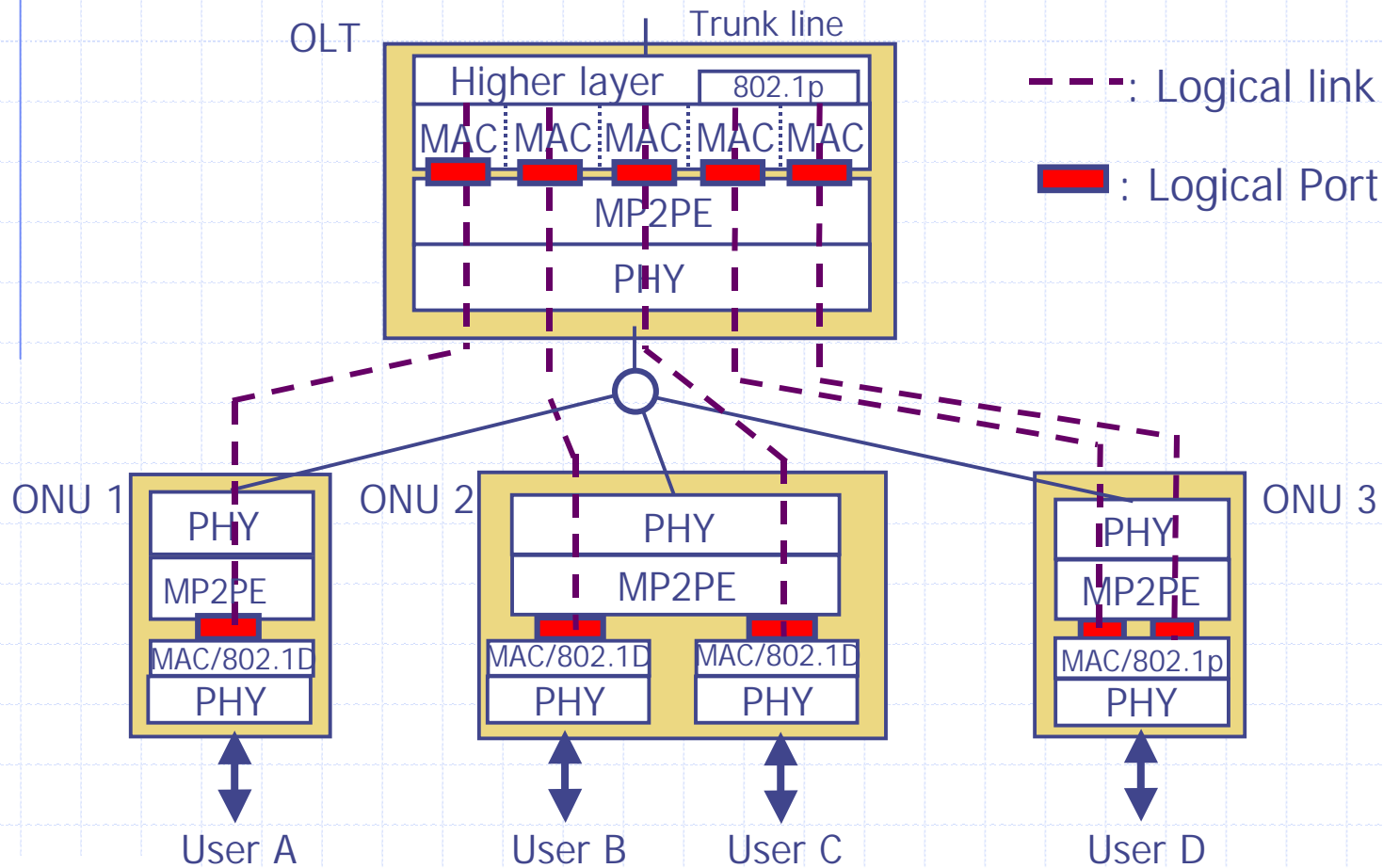
“Logical port”, which is independent of ONU physical port, enables us to provide flexible services

“Logical PHY ID” for P2PE: proposed by Hiroshi Suzuki Cisco Systems

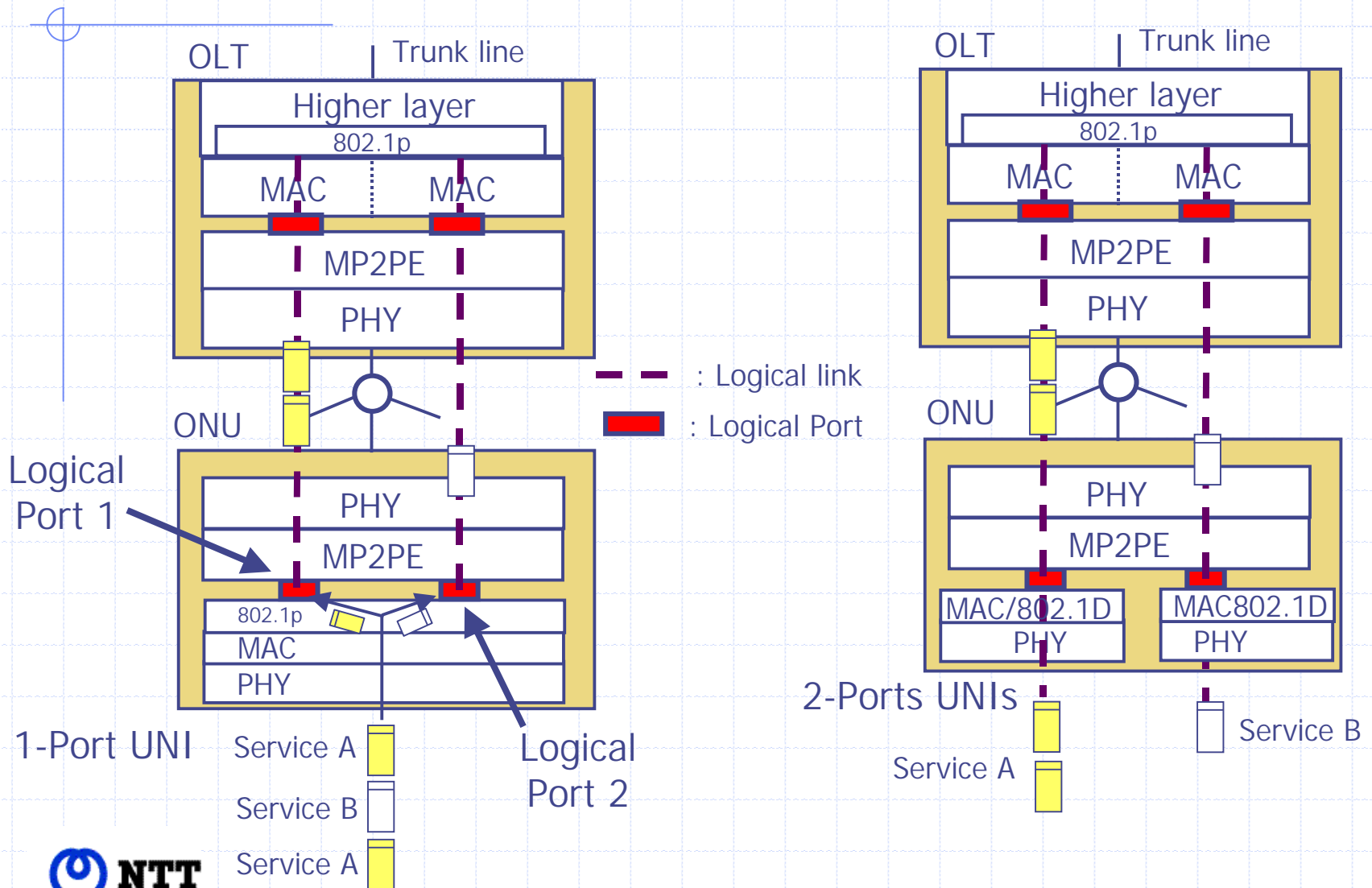
“EPON Compatibility with Peer-Peer, 802.1D Bridging, Pause Operation and Link Aggregation”, July 2001

“EPON P2P Emulation Detail Behaviors”, Oct 2001

User traffic segregation by logical ports



Service Classification by logical ports



Conclusion

Logical Port allows us;

- User traffic segregation

- Without VLAN
- Single ONU can accommodate multiple users

- Service classification

- Single ONU can support multiple grades of services
- Single physical port supports multiple grades of services