

Clause 33 MPS Fix: A Simple State Diagram Approach

David Abramson

Texas Instruments

March 2019

The Simple Fix (1)

- Remove MPS portion of Figure 33-10 (current the Inrush and MPS state diagram)
 - Rename Figure 33-10 to “PSE monitor inrush state diagram”

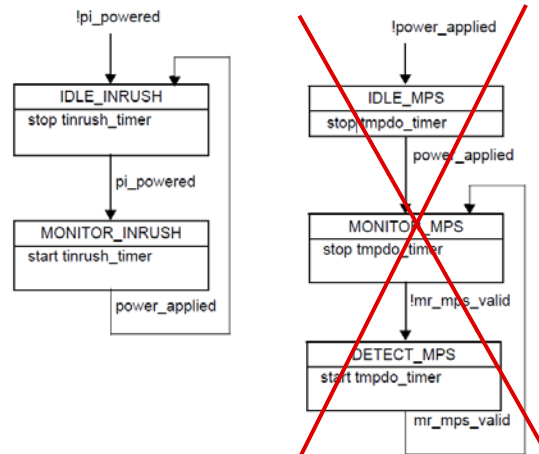


Figure 33–10—PSE monitor inrush and monitor MPS state diagrams

- Change 33.2.9 as follows:

33.2.9 PSE power removal

Figure 33–10 shows the PSE monitor state diagrams. ~~These~~ state diagrams monitor for inrush current ~~and the absence of the Maintain Power Signature (MPS)~~. If ~~any of these~~ this condition exists for longer than its related time limit, the power is removed from the PI.

The Simple Fix (3)

- Define new variable `mps_power_removal` in a way that references/matches the requirements in the text (Section 33.2.9).

`mps_power_removal`

A variable indicating that the MPS has been absent for longer than TMPDO. See 33.2.9 for MPS requirements.

Values: True: The MPS has been absent for longer than TMPDO.

False: The MPS has not been absent for longer than TMPDO.