

-----+
| 8802-3/802.3 REVISION REQUEST 1148 |
-----+

DATE: 21th May, 2004
NAME: Thomas Mathey
COMPANY/AFFILIATION: Independent
E-MAIL: tmathey@concentric.net

REQUESTED REVISION:
STANDARD: IEEE Std 802.3-2002
CLAUSE NUMBER: Figure 27-1
CLAUSE TITLE: 100BASE-T repeater set

PROPOSED REVISION TEXT:

Remove text

LAN
CSMA/CD
LAYERS

See attached draft.

RATIONALE FOR REVISION:

Figure has text hanging out in midspace with no attachment to a layer.
Figure in Clause 41 has more detail and text has a reference point.

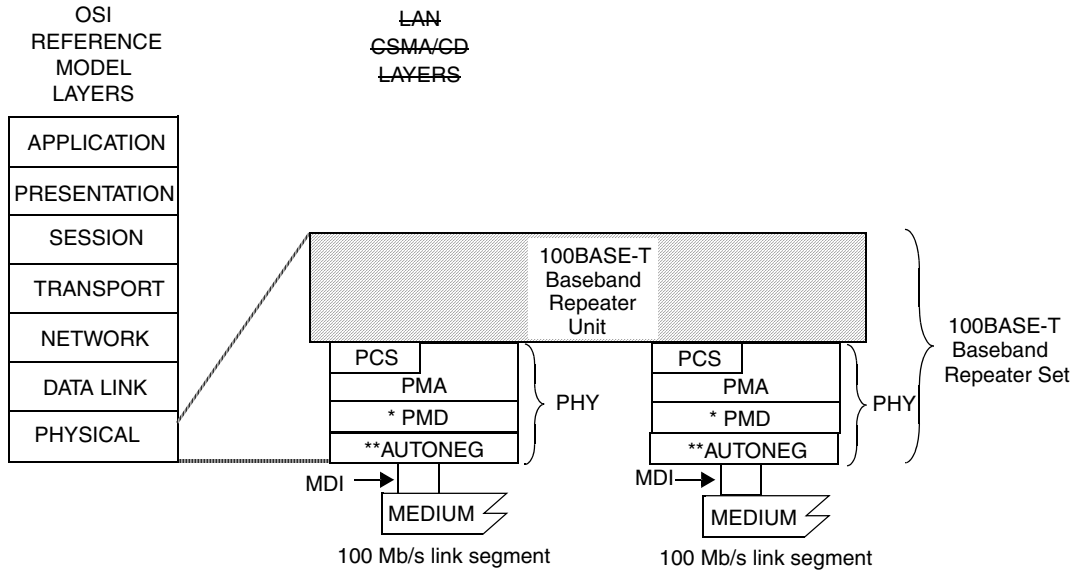
IMPACT ON EXISTING NETWORKS:

Editorial change only.

-----+
| Please attach supporting material, if any |
| Submit to:- Bob Grow, Chair IEEE 802.3 |
| E-Mail: Bob.Grow@intel.com |
| |
| +----- For official 802.3 use -----+ |
| REV REQ NUMBER: 1148 |
| DATE RECEIVED: 21th May, 2004 |
| EDITORIAL/~~TECHNICAL~~ |
| ACCEPTED/~~DENIED~~ |
| BALLOT REQ'D YES/~~NO~~ |
| COMMENTS: 08-Mar-06 Ver: D2.0 Status: P |
-----+

| For information about this Revision Request see - |
| http://www.ieee802.org/3/maint/requests/revision_history.html#REQ1148 |
-----+

Change Figure 27-1 as follows:



MDI = MEDIUM DEPENDENT INTERFACE
MII = MEDIA INDEPENDENT INTERFACE

PCS = PHYSICAL CODING SUBLAYER
PMA = PHYSICAL MEDIUM ATTACHMENT
PHY = PHYSICAL LAYER DEVICE
PMD = PHYSICAL MEDIUM DEPENDENT

* PMD is specified for 100BASE-TX and -FX only; 100BASE-T4 does not use this layer.
Use of MII between PCS and baseband repeater unit is optional.
** AUTONEG is optional.

Figure 27-1—100BASE-T repeater set relationship to the ISO/IEC OSI reference model

1
2
3
4
5
6
7
8
9
10
11
12
13
14
15
16
17
18
19
20
21
22
23
24
25
26
27
28
29
30
31
32
33
34
35
36
37
38
39
40
41
42
43
44
45
46
47
48
49
50
51
52
53
54