

IEEE 802.3
Interpretations Report

March 18th, 2004

Orlando, FL

David Law, Pat Thaler

Activities this week

- Met Wednesday afternoon

1 Interpretation considered

Interpretation Number: 1-03/04
Topic: Functions: Check_end
Relevant Clause: 48.2.6.1.4
Classification:

Interpretation Request

The XGMII Error control character is returned in all lanes less than n in the ||T||, where n identifies the specific Terminate ordered-set ||Tn||, for which a running disparity error or any code-groups other than /A/ or /K/ are recognized in the column following ||T||.

Query:-

Please refer to situation below.

PCS Code Groups

	Column A	Column B	Column C
Lane0	D	D	A
Lane1	D	T	A
Lane2	D	K	K
Lane3	D	K	A

In the above situation, the column C is the mix of /A/ and /K/.

What should be the resulting XGMII code groups?.

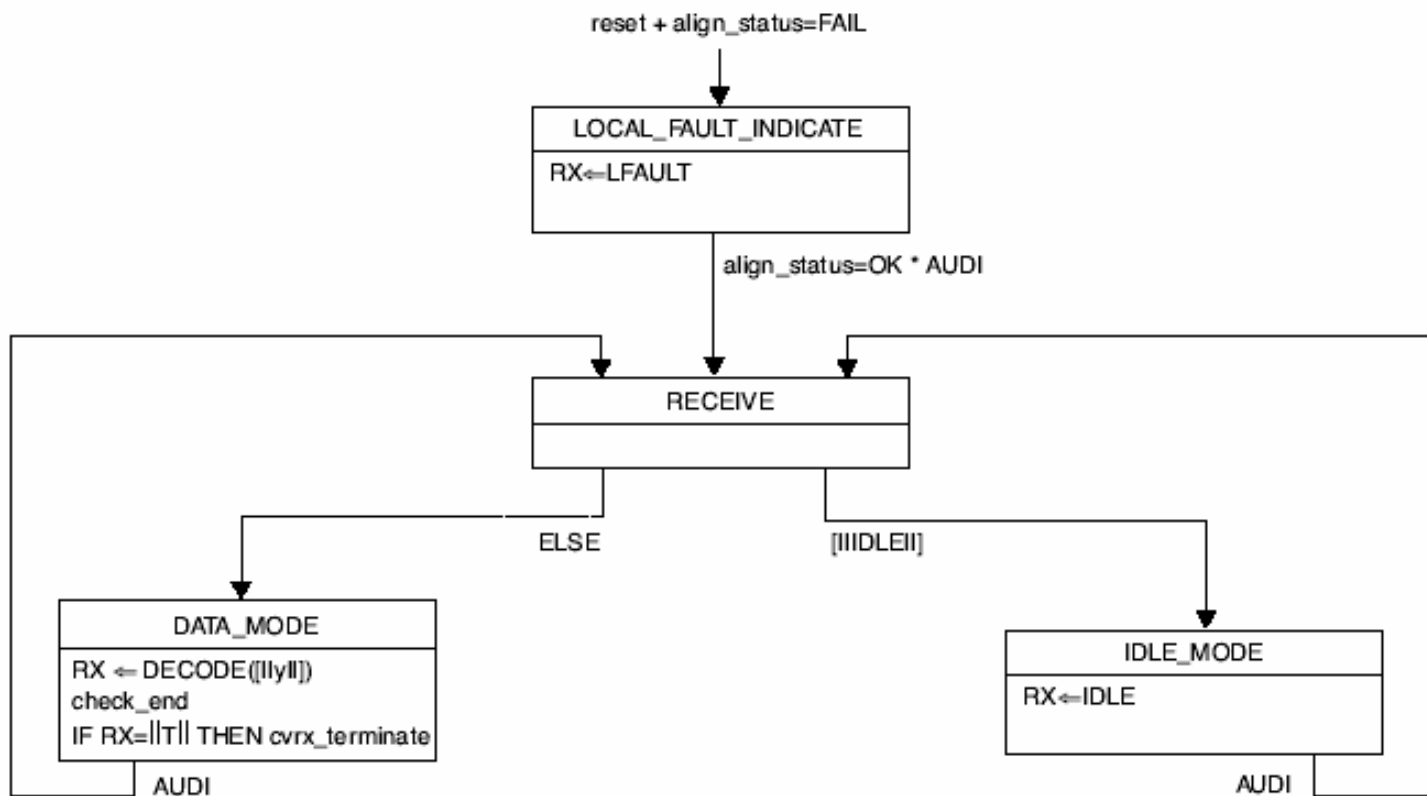


Figure 48-9—PCS receive state diagram

Interpretation Number: 1-03/04
Topic: Functions: Check_end
Relevant Clause: 48.2.6.1.4
Classification: Unambiguous

Interpretation for IEEE std 802.3-2002

In this case, the Check_end function does not take any action. Columns A and B are sent with the same characters that they received. Therefore the XGMII Code Groups sent will be:

XGMII Code Groups

	Column A	Column B	Column C
Lane0	D	D	A
Lane1	D	T	A
Lane2	D	K	K
Lane3	D	K	A

Explanation, on all lanes less than n in the ||T||, the code-group in the following column is /A/. Therefore, there are not lanes in the ||T|| meeting the criteria "...less than n ... for which a running disparity error or any code-groups other than /A/ or /K/ are recognized in the column following the ||T||." Note that the Check_end function only requires that the next character in the lane be checked, so the answer would be the same even if there were multiple lanes less than n which had a mix of /A/ and /K/ in column C (see supplementary example).

Note also that Column C does not fit the definition of ||I|| so it is sent to the XGMII as received. It is not converted to // characters.

Supplementary Example:

PCS Code Groups

	Column A	Column B	Column C
Lane0	D	D	A
Lane1	D	D	A
Lane2	D	D	K
Lane3	D	T	A

XGMII Code Groups

	Column A	Column B	Column C
Lane0	D	D	A
Lane1	D	D	A
Lane2	D	D	K
Lane3	D	T	A

IEEE 802.3 Motion

IEEE 802.3 approves the proposed Interpretation responses to the Interpretation request 1-03/04 as presented without the need for a 30 day letter ballot.

M: David Law

PASSED/FAILED

Y: 51

N: 0

S: Steve Carlson

A: 4

Tech 75%/Proc ~~50%~~

Date: 18th March 2004

Time: 4:00PM