




IEEE P802.3ba 40Gb/s and 100Gb/s Ethernet

Closing Plenary Report

Vancouver, BC Canada
March 2009

John D'Ambrosia
jdambrosia@ieee.org



IEEE P802.3ba Task Force Officers and Editors

<u>John D'Ambrosia</u>	Task Force Chair
<u>Ilango Ganga</u>	Task Force Chief Editor Editor – Clauses 1, 4, 80, Annexes A, 4A
<u>Mark Gustlin</u>	Chair, “Logic” Sub-task Force Editor – Clauses 81, 82
<u>Chris DiMinico</u>	Chair, “Cu” Sub-task Force Editor – Clause 85
<u>Pete Anslow</u>	Chair, “Optical” Sub-task Force Editor – Clause 88
<u>Hugh Barrass</u>	Editor – Clauses 30, 45
<u>Jonathan King</u>	Editor – Clause 87
<u>Arthur Marris</u>	Editor – Clauses 69, 73, 74, 84, Annexes 69A, 69B
<u>Steve Trowbridge</u>	Editor – Clause 83, Annex 83C
<u>Ryan Latchman</u>	Editor – Annex 83A, 83B Chair, “nAUI” Ad Hoc
<u>Piers Dawe</u>	Editor – Clause 86 Chair – “Statistical Eye” Ad Hoc
<u>Alessandro Barbieri</u>	Co-chair – Extended Reach Parallel MMF Ad Hoc
<u>John Petrilla</u>	Co-chair - Extended Reach Parallel MMF Ad Hoc
<u>George Oulundsen</u>	Task Force Secretary
<u>Frank Chang</u>	Task Force Web Master

Reflector and Web

- To subscribe to the IEEE P802.3ba Task Force reflector, send an email to:

ListServ@ieee.org

with the following in the body of the message (do not include “<>”):

***subscribe stds-802-3-hssg <yourfirstname> <yourlastname>
end***

- Send IEEE P802.3ba Task Force reflector messages to:

STDS-802-3-HSSG@listserv.ieee.org

- Task Force web page URL:

http://www.ieee802.org/3/ba/

IEEE P802.3ba Private Area

- URL: <http://www.ieee802.org/3/ba/private/>
 - Username: 802.3ba
 - Password: xxxxxxx
 - Password is case sensitive

- Write it down...

- Note - The draft is posted for your review only, and neither the draft nor access information should be copied or redistributed to others in violation of document copyrights.

Task Force Approved Project Documents

■ PAR

- http://ieee802.org/3/ba/PAR/par_0308.pdf

■ 5 Criteria (pending IEEE 802 EC Approval)

- http://ieee802.org/3/ba/PAR/P802.3ba_5C_0308.pdf

■ Objectives

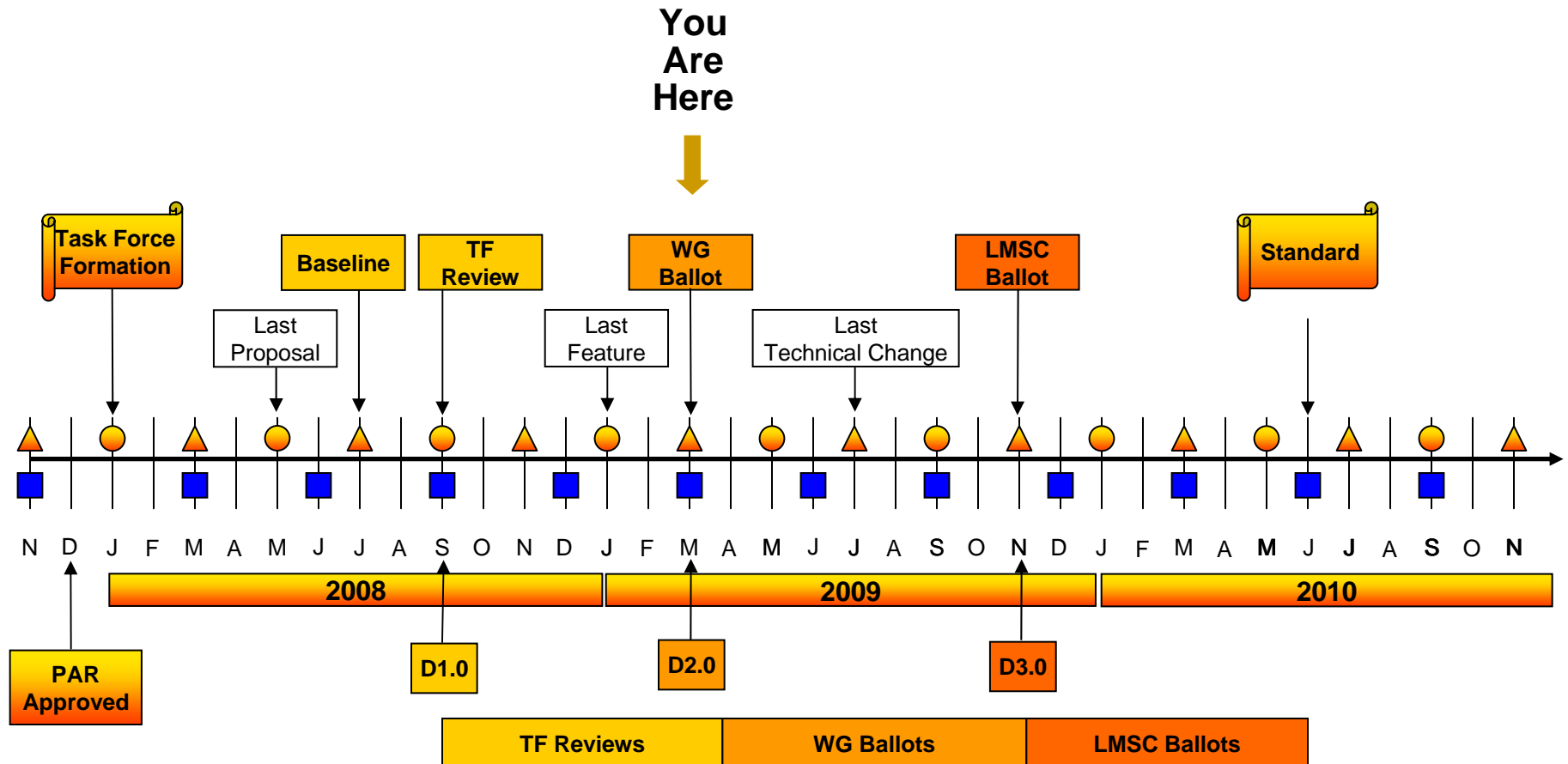
- http://ieee802.org/3/ba/PAR/P802.3ba_Objectives_0308.pdf

Task Force Objectives

- Support full-duplex operation only
- Preserve the 802.3 / Ethernet frame format utilizing the 802.3 MAC
- Preserve minimum and maximum FrameSize of current 802.3 standard
- Support a BER better than or equal to 10⁻¹² at the MAC/PLS service interface
- Provide appropriate support for OTN
- Support a MAC data rate of 40 Gb/s
- Provide Physical Layer specifications which support 40 Gb/s operation over:
 - at least 10km on SMF
 - at least 100m on OM3 MMF
 - at least 10m over a copper cable assembly
 - at least 1m over a backplane
- Support a MAC data rate of 100 Gb/s
- Provide Physical Layer specifications which support 100 Gb/s operation over:
 - at least 40km on SMF
 - at least 10km on SMF
 - at least 100m on OM3 MMF
 - at least 10m over a copper cable assembly

Adopted by IEEE P802.3ba and approved by 802.3 at Mar 2008 Plenary

IEEE P802.3ba Task Force Timeline



* Adopted by IEEE P802.3ba TF at March 08 Plenary

Legend	
▲	IEEE 802 Plenary
●	IEEE 802.3 Interim
■	IEEE-SA Standards Board

Comments Received Against D1.2

Description	Clause	Editor	T/TRs	E/ERs	Total
Front matter, MAC, 40G & 100G Intro	00, 01, A, 4, 4A, 80, 99	Ilango Ganga	1	0	1
Management	30, 45	Hugh Barrass	2	0	2
RS/MII and PCS	81, 82	Mark Gustlin	6	0	6
PMA	83, 83C	Steve Trowbridge	4	0	4
XLAUI/CAUI	83A	Ryan Latchman	20	15	35
XLAUI/CAUI module	83B	Ryan Latchman	18	0	18
Backplane KR4 related	69, 69A, 69B, 73, 74, 84	Arthur Marris	2	0	2
Copper CR4 & CR10	85	Chris Di Minico	27	6	33
Optical SR4 & SR10	86	Piers Dawe	17	8	25
Optical 40G LR4	87	Jonathan King	2	5	7
Optical 100G LR4 & ER4	88	Pete Anslow	5	2	7
Total comments			104	36	140

* Comments received on the clauses/annexes highlighted in blue

Accomplishments for the Week (1 of 2)

- Completed comment resolution
 - We resolved all 140 comments received on D1.2
 - 6 technical presentations
 - 5 presentations in support of comments
 - 1 presentation exploring ideas for test procedure / Informative XR MMF Reach
- Informal Communications
 - ITU-T SG15: Communication of latest draft
 - ISO/IEC JTC 1/SC 25/WG 3, Document #N 882A: Update of status in IEEE P802.3ba related to XR MMF
- Generation, Review, and Approval Draft 2.0
 - Motion #3: Approve Draft 2.0, based on Draft 1.2 and all resolved comments as recorded in “p8023ba-D12_Finala_Responses_byClause.pdf”.
 - Results: All (y/n/a): 71 / 0 / 1

Accomplishments for the Week (2 of 2)

- Approval to request Working Group Ballot:
 - Motion #4: Move that the Task Force request that 802.3 circulate IEEE P802.3ba Draft 2.0 for a 35 day 802.3 Working Group Ballot and comment, and conduct recirculations as necessary.
 - Results: All (y/n/a): 73 / 0 / 0

Working Group Motion

- Request that 802.3 circulate IEEE P802.3ba Draft 2.0 for a 35 day 802.3 Working Group Ballot and comment, and conduct recirculations as necessary.
- Moved by John D'Ambrosia on behalf of the Task Force
- Technical Motion (=> 75%)
- Results
- 802.3: Y: N: A:
- **Motion**

Working Group Motion (as amended)

- Request that 802.3 circulate IEEE P802.3ba Draft 2.0 for a 35 day 802.3 Working Group Ballot and conduct recirculations as necessary, and authorize IEEE P802.3ba Task Force to respond to comments
- Moved by John D'Ambrosia on behalf of the Task Force
- Technical Motion (=> 75%)
- Results
- 802.3: Y: 82 N: 0 A: 0
- **Motion Passes**

Next Steps

- WG Ballot Announcement send 3/12/09
- Comments due 4/16/09
- May Interim - Comment Response to WG Ballot on Draft 2.0

Future Meetings

- Future Meeting information at:
 - <http://ieee802.org/3/interims/index.html>

- May 2009 IEEE 802.3 Interim
 - To be announced

- July 2009 IEEE 802 Plenary
 - July 12 – 17
 - Hyatt Regency San Francisco at Embarcadero Center
 - San Francisco, CA, USA



Thank You!

