

IEEE P802.3bs 200 GbE and 400GbE Task Force Closing Report

John D'Ambrosia
Futurewei, Subsidiary of Huawei
Vancouver, BC, Canada
March 16, 2017

IEEE P802.3bs Task Force

Project information

Task Force Organization

John D'Ambrosia, IEEE P802.3bs Task Force Chair

Pete Anslow, IEEE P802.3bs Task Force Chief Editor, Clauses FM, 00, 1, 4, 30, 45, 78, 116, A, 4A, 31B, 90, 93A, 120B, 120C Editor

Mark Gustlin, Clause 117, 118, 119, 119A Editor

Jonathan King, Clause 123 Editor

Andre Szczepanek, Annexes 120D, 120E

Peter Stassar, Clause 121, 122, 124 Editor

Steve Trowbridge, Clause 120, 120A Editor

Task force web and reflector information

Reflector: <http://www.ieee802.org/3/400GSG/reflector.html>

Home page: <http://www.ieee802.org/3/bs/index.html>

PAR: http://www.ieee802.org/3/bs/PAR_P802.3bs_16_0516.pdf

CSD: <https://mentor.ieee.org/802-ec/dcn/16/ec-16-0057-00-ACSD-802-3bs.pdf>

Objectives: http://www.ieee802.org/3/bs/Objectives_16_0317.pdf

Timeline http://www.ieee802.org/3/bs/timeline_3bs_0915.pdf

Ad Hoc page <http://www.ieee802.org/3/bs/public/adhoc/index.shtml>

This Week

- ≈ 103 Attendees
- 166 comments considered and resolved
- Reviewed 17 technical presentations
- Resolved all big ticket items
- Motions (See Next Page)
- Liaisons & Communications
 - Approved liaisons to
 - OIF
 - T11.2
 - ITU-T Study Group 15

Task Force Motions

Motion #3 –

Move to:

- Adopt proposed responses to remaining comments, noted as “bucket” on slide 12 of anslow_3bs_01_0317.pdf
- Generate Draft 3.1 for WG Recirculation from D3.0 and closed comments

Results (y/n/a) 63 / 0 / 0

Motion #4 –

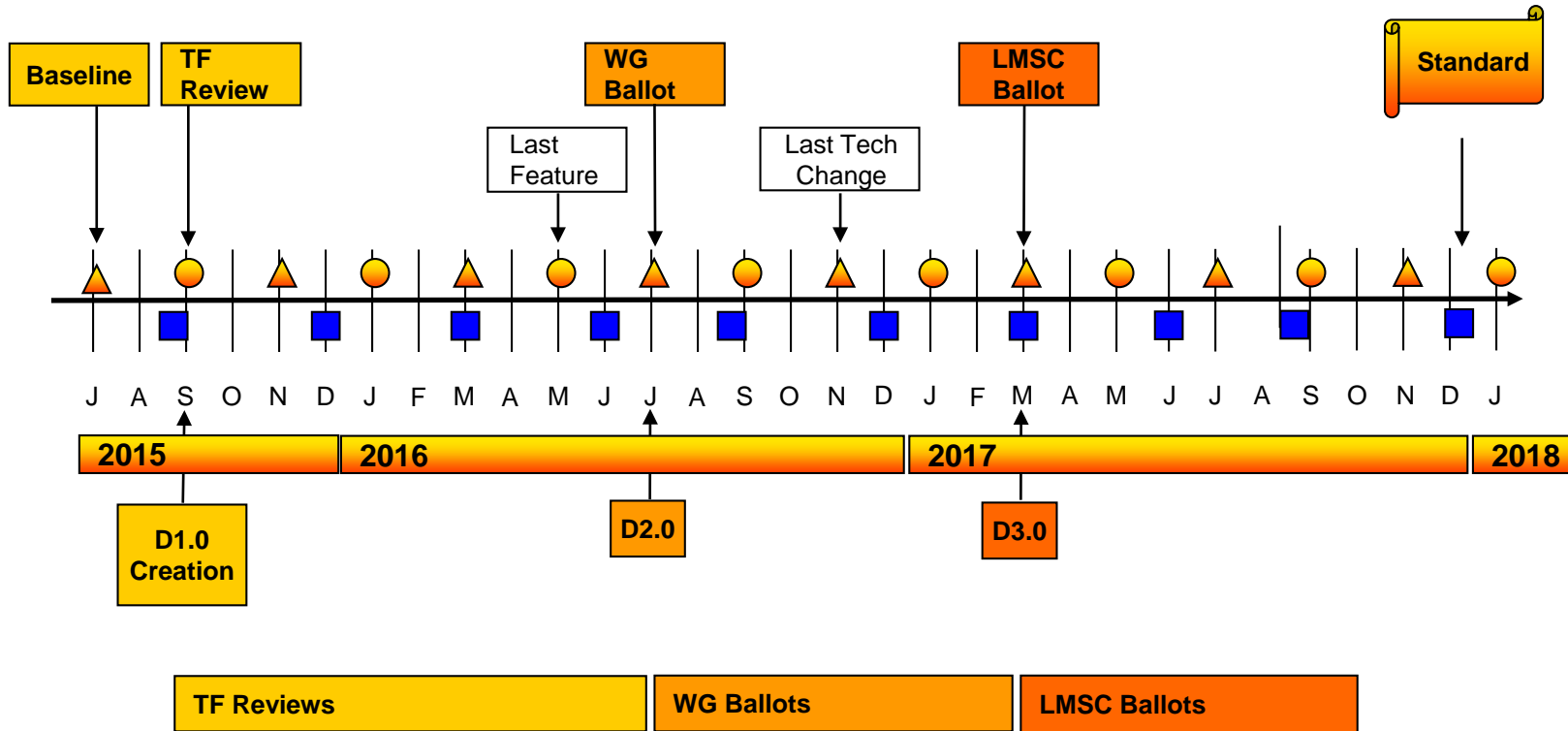
Move that the IEEE P802.3bs Task Force approve as liaison communications:

- to INCITS Fibre Channel T11.2: IEEE_802d3bs_to_FC_0317_liaison
- to ITU-T Study Group 15: IEEE_802d3bs_to_ITU_0317_liaison
- to OIF: IEEE_802d3bs_to_OIF_CEI_0317_liaison

with editorial license granted to the Chair (or his appointed agent) from the IEEE 802.3 Working Group

Results approved by voice vote without opposition

IEEE P802.3bs 200GbE and 400GbE Adopted timeline



Adopted by IEEE P802.3bs 400GbE Task Force, Sept 2015 Interim.

Legend

- ▲ IEEE 802 Plenary
- IEEE 802.3 Interim
- IEEE-SA Standards Board

802.3 WG Motion

Move that the IEEE 802.3 Working Group approve:

- IEEE_802d3_to_OIF_bs_0317_draft
- IEEE_802d3_to_T11d2_0317_draft
- IEEE_802d3_to_ITU_SG15_0317_draft

with editorial license granted to the Chair (or his appointed agent) as liaison communications from the IEEE 802.3 Working Group to OIF, T11.2, ITU-T Study Group 15.

Moved by: John D'Ambrosia

Second by: Pete Anslow

Technical ($\geq 75\%$)

Results

Future Meetings

See: <http://www.ieee802.org/3/interims/index.html>

May 2017 Interim

Week of May 22

New Orleans, LA, USA

July 2017 Plenary

Week of July 9

Berlin, Germany

Sept 2017 Interim

Week of Sept 11

North American Location

Nov 2017 Plenary

Week of Nov 6

Orlando, FL, USA

Questions?

Thank you!