

# IEEE P802.3 Maintenance

November 15th, 2004

San Antonio, TX

David Law

David\_Law@3Com.com

# Agenda

- Maintenance Request Status
- IEEE P802.3REVam Working Group ballot results
- Report from Ottawa maintenance interim meeting
- IEEE P802.3REVam Sponsor ballot group formation
- Plan for the week
- IEEE 802.3 maintenance WWW site

# Maintenance Request Status

- 43 Open Maintenance requests
- No new requests since July !!!!!
- Current status of open requests -

Balloting (IEEE P802.3REVam)	38
Awaiting clarification	1
Errata	8
To be categorised	2

# IEEE P802.3REVam/D1.0

## Working Group ballot results

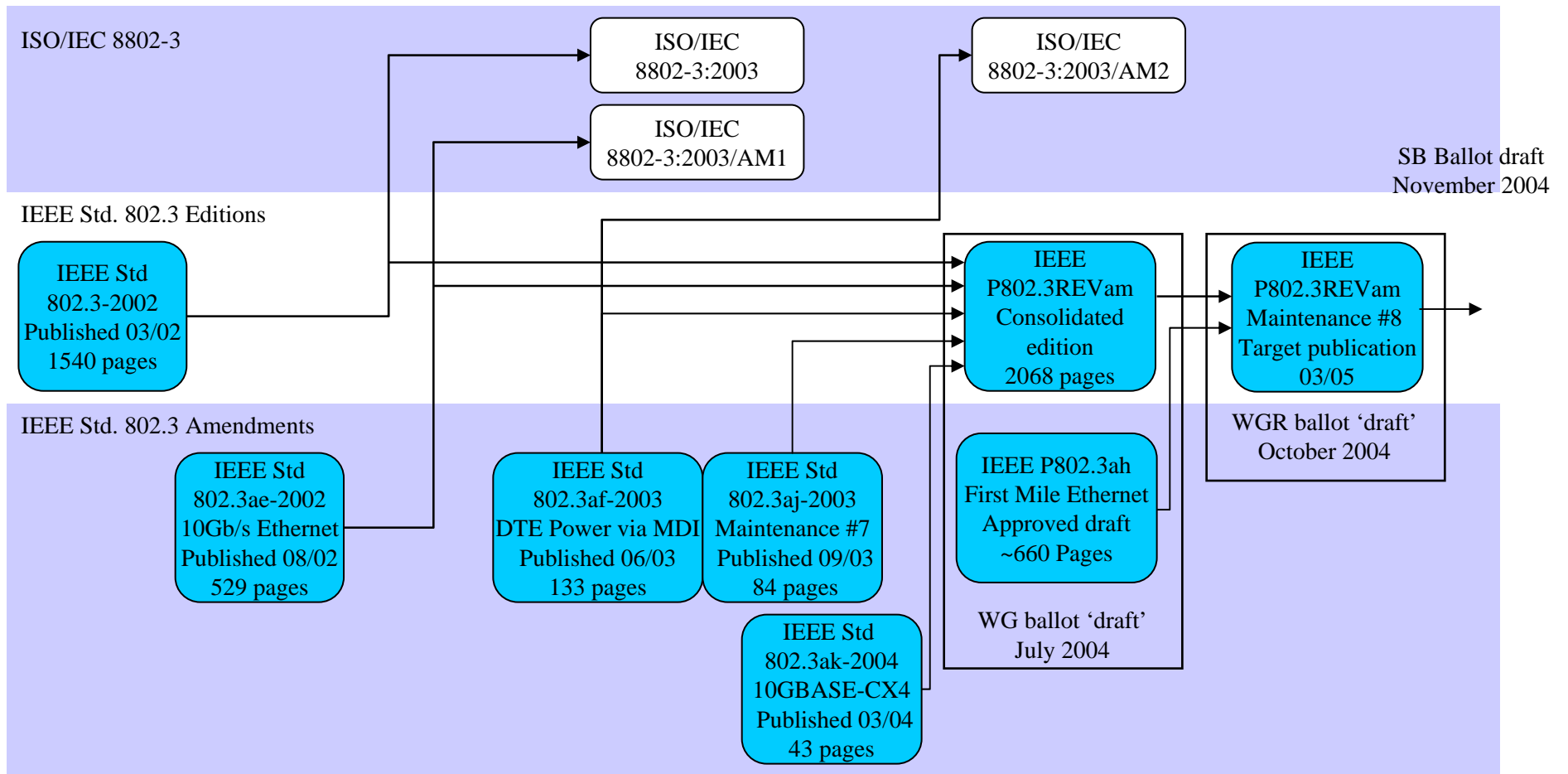
- Ballot opened 13<sup>th</sup> August, closed 22<sup>nd</sup> September

	#	%		Status
		Actual	Require	
Abstain	17	17.70	< 30	OK
Disapprove	9	-	-	-
Approve	70	88.61	> 75	OK
Ballots returned	96	52.75	> 50	OK
WG Voters	182	-	-	-

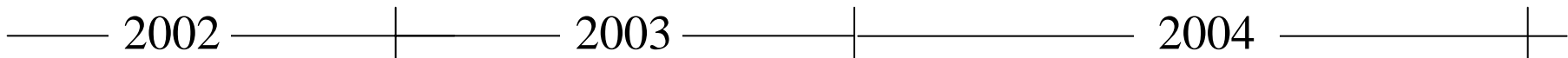
# Report from Ottawa meeting

- Met evening 29<sup>th</sup> September
  - Thanks to those that attended
- Reviewed P802.3REVam/D1.0
- Responded to 125 comments
  - Requests #1122 removed from package
  - Errata uncovered in IEEE Std 802.3ak-2004 10GBASE-CX4
    - Errata published last week
  - 5 TR comments not resolved to balloters satisfaction
- Issued recirculation ballot on D1.1
  - Ballot opened 1<sup>st</sup> November, closes 16<sup>th</sup> November

# IEEE Std 802.3REVam document plan



Note: Target publication date is target standards board approval plus three months.



# IEEE P802.3REVam draft D1.1

- Part 1 – Consolidation

IEEE Std 802.3-2002 as modified by, IEEE Std 802.3ae-2002 10Gb/s Ethernet, IEEE Std 802.3af-2003 DTE Power via MDI, IEEE Std 802.3aj-2003 Maintenance #7, IEEE Std 802.3ak-2004 10GBASE-CX4 and IEEE Std 802.3ah-2004 Ethernet in the First Mile

- SECTION ONE: Clauses 1 through 20 and Annexes A through H.
- SECTION TWO: Clauses 21 through 33 and Annexes 22A through 32A.
- SECTION THREE: Clauses 34 through 43 and Annexes 36A through 43C.
- SECTION FOUR: Clauses 44 through 55 and Annexes 44A through 50A.
- SECTION FIVE: Clauses 56 through 67 and Annexes 58A through 67A.

- Part 2 - Maintenance requests

# Sponsor balloting

- IEEE P802.3REVam is first use of myBallot
  - Please try to attend this evenings tutorial
- To join IEEE P802.3REVam sponsor ballot group
  - Log onto myBallot (requires a IEEE Web Account)
    - URL - <http://standards.ieee.org/myballot>
    - Click on "Show/Join Open Ballot Invitations."
    - Check the invitation, choose your interest category.
    - Click OK to enroll in the ballot group
- See IEEE 802.3 E-mail archive message
  - ‘Invitation to Ballot, P802.3-REVam ’
  - <http://www.ieee802.org/3/private/email/msg00582.html>



# Plans for the week

- Maintenance committee meeting
  - Tentatively: Wednesday
    - Review status of existing revision requests
  - IEEE P802.3REVam
    - Review D1.1 Ballot results
      - Comment resolution
    - Decide next step
      - Working Group recirculation or Sponsor ballot
  - IEEE 802.3 Type field tutorial

# Maintenance Web Information

- The Maintenance web site is at:

**<http://www.ieee802.org/3/maint/index.html>**

- The Maintenance request form is available at:

**[http://www.ieee802.org/3/private/maint/revision\\_request.html](http://www.ieee802.org/3/private/maint/revision_request.html)**

Username: \*\*\*\*\*

- Password: \*\*\*\*\*

Password is case sensitive