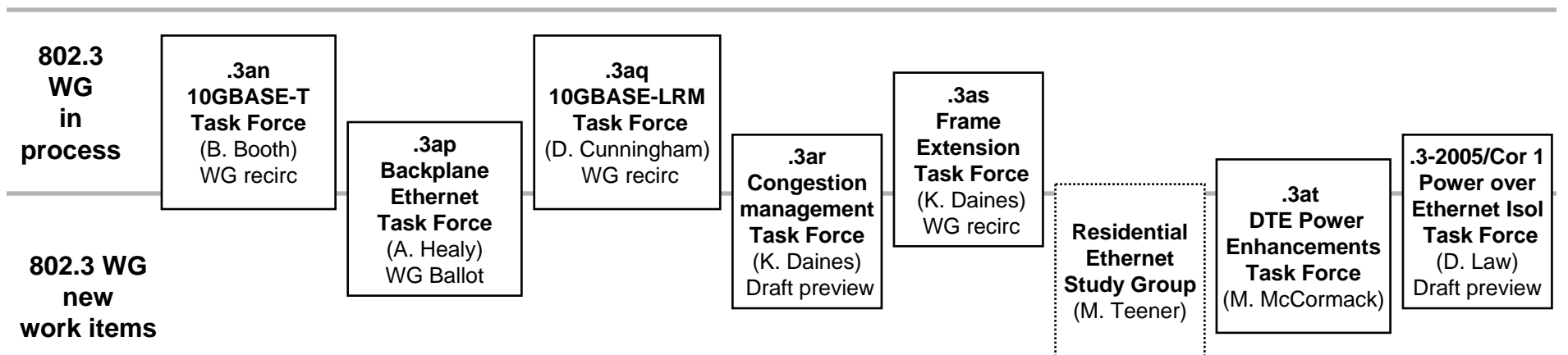


IEEE 802.3 Working Group Standards Status November 14th, 2005

ISO/IEC approved		ISO/IEC 8802-3:2000																								
<p>.3 Policy and Procedures Approved Nov-97</p> <p>Network Systems Tutorial Published Jun-95</p>		<p align="center">ANSI/IEEE Std 802.3-2005 (Was IEEE project 802.3REVam) To be published as 5 Books (Sections) Target publication date – 9th December</p> <table border="1"> <tr> <td> <p>Section 1 Clause 1 to 20 Annex A to H</p> <p>CSMA/CD Overview MAC PLS/AUI 10BASE5 MAU 10BASE2 MAU 10BROAD36 MAU 10BASE-T MAU 10BASE-F MAUs 10Mb/s Repeater 10Mb/s Topology</p> <p>1BASE5 DTE & MAU Mgmt Repeater Mgmt</p> </td> <td> <p>Section 2 Clause 21 to 33 Annex 22A to 32A</p> <p>100Mb/s Overview MII 100BASE-T2 100BASE-T4 100BASE-TX 100BASE-FX 100Mb/s Repeater 100Mb/s Topology</p> <p>MAC Control Auto Negotiation Management</p> </td> <td> <p>Section 3 Clause 34 to 43 Annex 36A to 43C</p> <p>1000Mb/s Overview GMII 1000BASE-X AutoNeg 1000BASE-SX 1000BASE-LX 1000BASE-CX 1000BASE-T 1000Mb/s Repeater 1000Mb/s Topology</p> <p>Link Aggregation</p> </td> <td> <p>Section 4 Clause 44 to 54 Annex 44A to 50A</p> <p>10Gb/s Overview MDC/MDIO XGMII XAUI XSBI 10GBASE-SR 10GBASE-LR 10GBASE-ER 10GBASE-SW 10GBASE-LW 10GBASE-EW 10GBASE-LX4 10GBASE-CX4</p> <p>Maintenance 7</p> </td> <td> <p>Section 5 Clause 56 to 67 Annex 58A to 67A</p> <p>Subscriber Access Overview OAM Multi-point MAC Control 100BASE-LX10 100BASE-BX10 1000BASE-LX10 1000BASE-BX10 1000BASE-PX10 1000BASE-PX20 10PASS-TS 2BASE-TL Subscriber Access Topology</p> </td> </tr> <tr> <td>Maintenance 6</td> <td>DTE Power</td> <td>Maintenance 6</td> <td></td> <td></td> </tr> <tr> <td>Maintenance 7</td> <td>Maintenance 6</td> <td>Maintenance 7</td> <td></td> <td></td> </tr> <tr> <td></td> <td>Maintenance 7</td> <td></td> <td></td> <td></td> </tr> </table>					<p>Section 1 Clause 1 to 20 Annex A to H</p> <p>CSMA/CD Overview MAC PLS/AUI 10BASE5 MAU 10BASE2 MAU 10BROAD36 MAU 10BASE-T MAU 10BASE-F MAUs 10Mb/s Repeater 10Mb/s Topology</p> <p>1BASE5 DTE & MAU Mgmt Repeater Mgmt</p>	<p>Section 2 Clause 21 to 33 Annex 22A to 32A</p> <p>100Mb/s Overview MII 100BASE-T2 100BASE-T4 100BASE-TX 100BASE-FX 100Mb/s Repeater 100Mb/s Topology</p> <p>MAC Control Auto Negotiation Management</p>	<p>Section 3 Clause 34 to 43 Annex 36A to 43C</p> <p>1000Mb/s Overview GMII 1000BASE-X AutoNeg 1000BASE-SX 1000BASE-LX 1000BASE-CX 1000BASE-T 1000Mb/s Repeater 1000Mb/s Topology</p> <p>Link Aggregation</p>	<p>Section 4 Clause 44 to 54 Annex 44A to 50A</p> <p>10Gb/s Overview MDC/MDIO XGMII XAUI XSBI 10GBASE-SR 10GBASE-LR 10GBASE-ER 10GBASE-SW 10GBASE-LW 10GBASE-EW 10GBASE-LX4 10GBASE-CX4</p> <p>Maintenance 7</p>	<p>Section 5 Clause 56 to 67 Annex 58A to 67A</p> <p>Subscriber Access Overview OAM Multi-point MAC Control 100BASE-LX10 100BASE-BX10 1000BASE-LX10 1000BASE-BX10 1000BASE-PX10 1000BASE-PX20 10PASS-TS 2BASE-TL Subscriber Access Topology</p>	Maintenance 6	DTE Power	Maintenance 6			Maintenance 7	Maintenance 6	Maintenance 7				Maintenance 7			
<p>Section 1 Clause 1 to 20 Annex A to H</p> <p>CSMA/CD Overview MAC PLS/AUI 10BASE5 MAU 10BASE2 MAU 10BROAD36 MAU 10BASE-T MAU 10BASE-F MAUs 10Mb/s Repeater 10Mb/s Topology</p> <p>1BASE5 DTE & MAU Mgmt Repeater Mgmt</p>	<p>Section 2 Clause 21 to 33 Annex 22A to 32A</p> <p>100Mb/s Overview MII 100BASE-T2 100BASE-T4 100BASE-TX 100BASE-FX 100Mb/s Repeater 100Mb/s Topology</p> <p>MAC Control Auto Negotiation Management</p>	<p>Section 3 Clause 34 to 43 Annex 36A to 43C</p> <p>1000Mb/s Overview GMII 1000BASE-X AutoNeg 1000BASE-SX 1000BASE-LX 1000BASE-CX 1000BASE-T 1000Mb/s Repeater 1000Mb/s Topology</p> <p>Link Aggregation</p>	<p>Section 4 Clause 44 to 54 Annex 44A to 50A</p> <p>10Gb/s Overview MDC/MDIO XGMII XAUI XSBI 10GBASE-SR 10GBASE-LR 10GBASE-ER 10GBASE-SW 10GBASE-LW 10GBASE-EW 10GBASE-LX4 10GBASE-CX4</p> <p>Maintenance 7</p>	<p>Section 5 Clause 56 to 67 Annex 58A to 67A</p> <p>Subscriber Access Overview OAM Multi-point MAC Control 100BASE-LX10 100BASE-BX10 1000BASE-LX10 1000BASE-BX10 1000BASE-PX10 1000BASE-PX20 10PASS-TS 2BASE-TL Subscriber Access Topology</p>																						
Maintenance 6	DTE Power	Maintenance 6																								
Maintenance 7	Maintenance 6	Maintenance 7																								
	Maintenance 7																									
ANSI/IEEE approved																										
<p>IEEE Std 1802.3-2001 Conformance Test 10BASE-T Published 19-Oct-01</p>																										



IEEE 802.3 Working Group Standards Status November 14th, 2005

ISO/IEC approved

**.3
Policy and
Procedures**
Approved
Nov-97

**Network
Systems
Tutorial**
Published
Jun-95

**IEEE Std 1802.3-2001
Conformance Test
10BASE-T**
Published 19-Oct-01

ANSI/IEEE approved

**IEEE Std 802.3ae-2002
10Gb/s Ethernet**
10Gb/s Overview
XGMII XAUI
XBSI MDIO
10GBASE-LX4
10GBASE-ER/LR/SR
10GBASE-EW/LW/SW
Published 30-Aug-02

Corrections to
IEEE Std 802.3ae-2002

**IEEE Std 802.3ah-2004
Ethernet in the First Mile**
Published 7-Sep-04

**IEEE Std 802.3af-2003
DTE Power via MDI**
Published 18-Jun-03

**IEEE Std 802.3aj-2003
Maintenance 7**
Published 26-Sep-03

**IEEE Std 802.3ak-2004
10GBASE-CX4**
Published 1-Mar-04

Corrections to
IEEE Std 802.3ak-2004

ISO/IEC 8802-3:2000

ANSI/IEEE Std 802.3-2002 Published 8-Mar-02
Published as 3 Books (Sections)

Section 1
Clauses 1 to 20
Annexes A to H

CSMA/CD Overview
MAC
PLS/AUI
10BASE5 MAU
10BASE2 MAU
10BROAD36 MAU
10BASE-T MAU
10BASE-F MAUs
10Mb/s Repeater
10Mb/s Topology

1BASE5
DTE & MAU Mgmt
Repeater Mgmt

Section 2
Clauses 21 to 32
Annexes 22A to 32A

100Mb/s Overview
MII
100BASE-T2
100BASE-T4
100BASE-TX
100BASE-FX
100Mb/s Repeater
100Mb/s Topology

MAC Control
Auto Negotiation
Management

Section 3
Clauses 34 to 43
Annexes 36A to 43C

1000Mb/s Overview
GMII
1000BASE-X AutoNeg
1000BASE-SX
1000BASE-LX
1000BASE-CX
1000BASE-T
1000Mb/s Repeater
1000Mb/s Topology

Link Aggregation

Maintenance 6 changes

Corrections to
IEEE Std 802.3-2002

802.3 WG in process

**.3an
10GBASE-T
Task Force**
(B. Booth)
WG recirc

**.3ap
Backplane
Ethernet
Task Force**
(A. Healy)
WG Ballot

**.3aq
10GBASE-LRM
Task Force**
(D. Cunningham)
WG recirc

**.3ar
Congestion
management
Task Force**
(K. Daines)
Draft preview

**.3as
Frame
Extension
Task Force**
(K. Daines)
WG recirc

**Residential
Ethernet
Study Group**
(M. Teener)

**.3at
DTE Power
Enhancements
Task Force**
(M. McCormack)

**.3-2005/Cor 1
Power over
Ethernet Isol
Task Force**
(D. Law)
Draft preview

802.3 WG new work items