

Closing Report

IEEE P802.3bs 400GbE Task Force

John D'Ambrosia

Independent

Dallas, TX, USA

Nov 12, 2015

IEEE P802.3bs 400GbE Task Force

Project information

- Task Force Organization
 - John D’Ambrosia, IEEE P802.3bs Task Force Chair
 - Kent Lusted, IEEE P802.3bs Task Force Secretary
 - Pete Anslow, IEEE P802.3bs Task Force Chief Editor
 - Mark Gustlin, Clause 117 Editor
 - Jonathan King, Clause 121 Editor
 - Andre Szczepanek, Annexes 120D, 120E
 - Peter Stassar, Clause 124 Editor
- Task force web and reflector information
 - Reflector information: <http://www.ieee802.org/3/400GSG/reflector.html>
 - Home page: <http://www.ieee802.org/3/bs/index.html>
 - PAR: http://www.ieee802.org/3/bs/PAR_P802.3bs_14_0612.pdf
 - CSD (including 5C): http://www.ieee802.org/3/bs/CSD_400_14_0121.pdf
 - Objectives: http://www.ieee802.org/3/bs/Objectives_14_0320.pdf
 - Approved Timeline http://www.ieee802.org/3/bs/timeline_3bs_0514.pdf
- Private area: <http://ieee802.org/3/bs/private/index.html>
 - Username: xxxxxxxx
 - Password: xxxxxxxx
 - Note: The draft, and any other content, is posted for your review only, and neither the content nor access information should be copied or redistributed to others in violation of document copyrights

This Week

- \approx 132 Attendees
- 261 comments reviewed / approved by Task Force, Logic , Optics, and Electrical Interface Tracks
- Reviewed 12 Technical Presentations
- Brainstorming sessions on remaining items
 - Logic – hi BER, sublayer delay constraints, 400G AM Fields, criteria for achieving AM lock, deleting idles, FEC bypass indication
 - Optics – SMF TDP discussion
 - Electrical - Host and module transition TBDs, CPU bandwidth, jitter tolerance measurement, C2M LF equalizer
- Generated proposed liaison for 802.3 WG to OIF on FlexE Liaison
- Motions (See Next Page)

Motions Summary

- Both motions approved by voice vote without opposition.
- Motion #3: Move to:
 - Adopt remaining proposed responses to “bucket” comments detailed on Slide 14 of anslow_3bs_01_1115.pdf
 - Generate Draft 1.1 for Task Force review from Draft 1.0 and closed comments
- Motion #4
 - Move that the IEEE P802.3bs 400 GbE Task Force approve the text in trowbridge_3bs_02_1115.pdf with editorial license granted to the IEEE 802.3 WG Chair (or his appointed agent) as a liaison to OIF.

802.3 WG Motion

Move that the IEEE 802.3 Working Group approve IEEE_802d3_to_oif_1115_draft.pdf with editorial license granted to the Chair (or his appointed agent) as liaison communication from the IEEE 802.3 Working Group to OIF.

Moved by: John D'Ambrosia

Second by: Pete Anslow

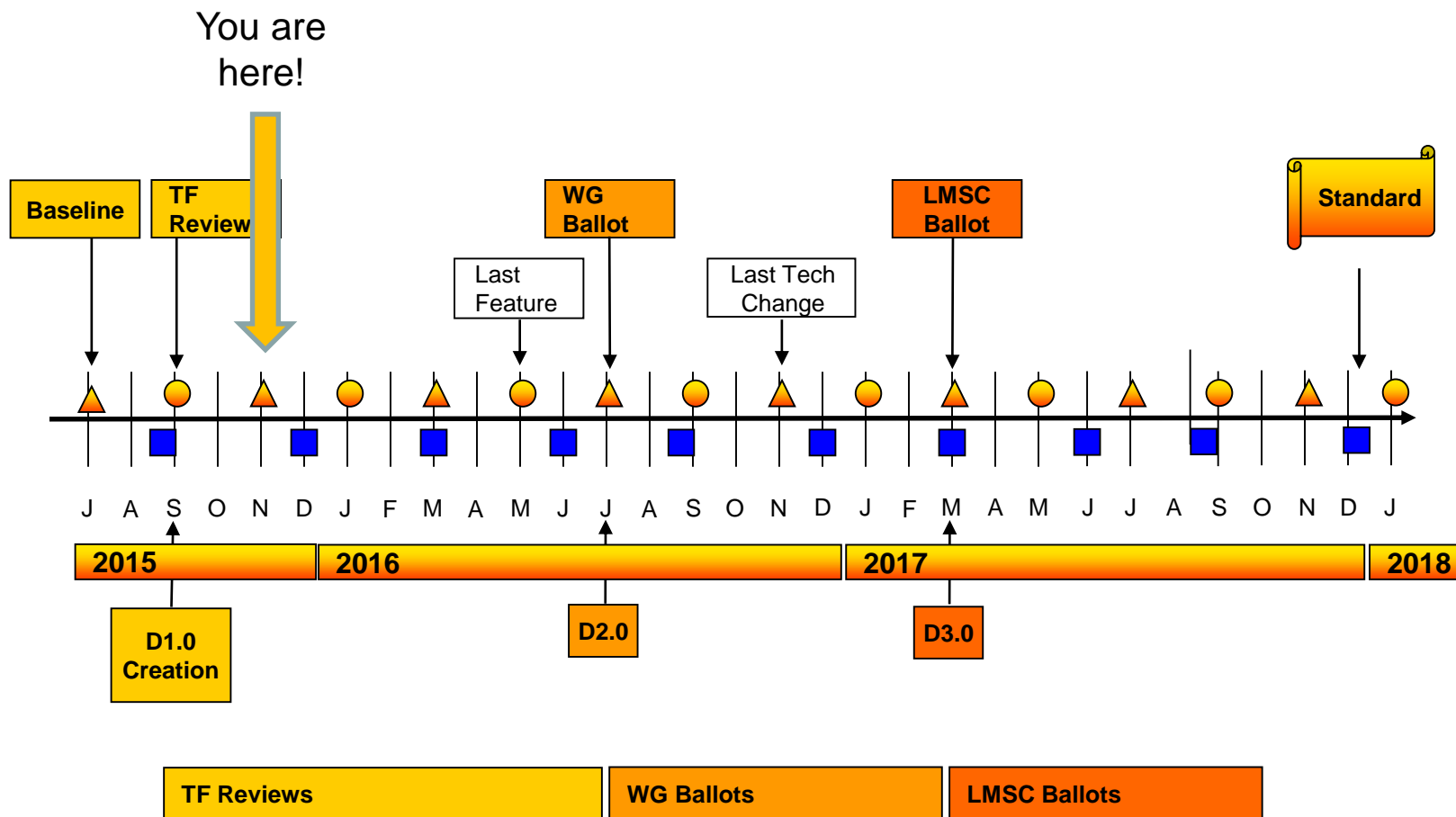
Technical ($\geq 75\%$)

Results approved by voice without opposition

Moving Forward

- Major issues detailed in closing track reports
 - Logic - http://www.ieee802.org/3/bs/public/15_11/gustlin_3bs_04_1115.pdf
 - Optical - http://www.ieee802.org/3/bs/public/15_11/anslow_3bs_03_1115.pdf
 - Electrical - http://www.ieee802.org/3/bs/public/15_11/szczepanek_3bs_02_1115.pdf
- 2nd Task Force Review – targeting Dec 1 to Dec 20.

IEEE P802.3bs 400GbE Adopted Timeline



Adopted by IEEE P802.3bs 400GbE Task Force, Sept 2015 Interim.

- Legend**
- ▲ IEEE 802 Plenary
 - IEEE 802.3 Interim
 - IEEE-SA Standards Board

Future Meetings

- See: <http://www.ieee802.org/3/interims/index.html>
- Ad Hoc Teleconferences to be announced - <http://www.ieee802.org/3/bs/public/adhoc/index.shtml>
- **Jan 2016 Interim**
 - Week of Jan 18
 - Atlanta, GA, USA
- **Mar 2016 Plenary**
 - Week of Mar 18
 - Macau China
- **May 2016 Interim**
 - Week of May 23
 - Location TBA
- **July 2016 Plenary**
 - Week of July 24
 - Location San Diego, CA, USA
- **Sept 2016 Interim**
 - Week of Sept 12
 - Location TBA
- **Nov 2016 Plenary**
 - Week of Nov 6
 - San Antonio, TX, USA
- Anyone interested in hosting a meeting or webex contact me.

Thank You!