

# IEEE P802.3bs 200 GbE and 400GbE Task Force Closing Report

John D'Ambrosia  
Futurewei, Subsidiary of Huawei  
San Antonio, TX, USA  
Nov 10, 2016

# IEEE P802.3bs Task Force

## Project information

---

### Task Force Organization

John D'Ambrosia, IEEE P802.3bs Task Force Chair

Pete Anslow, IEEE P802.3bs Task Force Chief Editor, Clauses FM, 00, 1, 4, 30, 45, 78, 116, A, 4A, 31B, 90, 93A, 120B, 120C Editor

Mark Gustlin, Clause 117, 118, 119, 119A Editor

Jonathan King, Clause 123 Editor

Andre Szczepanek, Annexes 120D, 120E

Peter Stassar, Clause 121, 122, 124 Editor

Steve Trowbridge, Clause 120, 120A Editor

### Task force web and reflector information

Reflector: <http://www.ieee802.org/3/400GSG/reflector.html>

Home page: <http://www.ieee802.org/3/bs/index.html>

PAR: [http://www.ieee802.org/3/bs/PAR\\_P802.3bs\\_16\\_0516.pdf](http://www.ieee802.org/3/bs/PAR_P802.3bs_16_0516.pdf)

CSD: <https://mentor.ieee.org/802-ec/dcn/16/ec-16-0057-00-ACSD-802-3bs.pdf>

Objectives: [http://www.ieee802.org/3/bs/Objectives\\_16\\_0317.pdf](http://www.ieee802.org/3/bs/Objectives_16_0317.pdf)

Timeline [http://www.ieee802.org/3/bs/timeline\\_3bs\\_0915.pdf](http://www.ieee802.org/3/bs/timeline_3bs_0915.pdf)

Ad Hoc page <http://www.ieee802.org/3/bs/public/adhoc/index.shtml>

# This Week

---

- ≈ 106 Attendees
- 164 comments considered and resolved
- Reviewed 11 technical presentations
- Decisions (See Next Page)
- Liaisons & Communications
  - Approved joint (w P802.3cd) informal communications
    - OIF
    - COBO

# Task Force Motions

---

## Motion #3 –

### Move to:

- Adopt proposed responses to remaining comments, noted as “bucket” on slide 12 of anslow\_3bs\_01\_1116.pdf
- Generate Draft 2.2 for WG Recirculation from D2.1 and closed comments

Results (y/n/a) 17 / 0 / 0

## Motion #4 –

### Move:

- The IEEE P802.3bs Task Force re-affirms the CSD responses in <https://mentor.ieee.org/802-ec/dcn/16/ec-16-0057-00-ACSD-802-3bs.pdf>
- The IEEE P802.3bs Task Force requests the 802.3 WG request conditional approval to progress the IEEE P802.3bs draft to IEEE 802 LMSC sponsor ballot once the Working Group ballot process has been successfully completed.

Results (y/n/a) 13 / 0 / 2

# WG Motion

---

Move that the IEEE 802.3 Working Group re-affirm the CSD responses in <https://mentor.ieee.org/802-ec/dcn/16/ec-16-0057-00-ACSD-802-3bs.pdf> and request conditional approval to progress the IEEE P802.3bs draft to IEEE 802 LMSC sponsor ballot once the Working Group ballot process has been successfully completed.

Moved: John D'Ambrosia

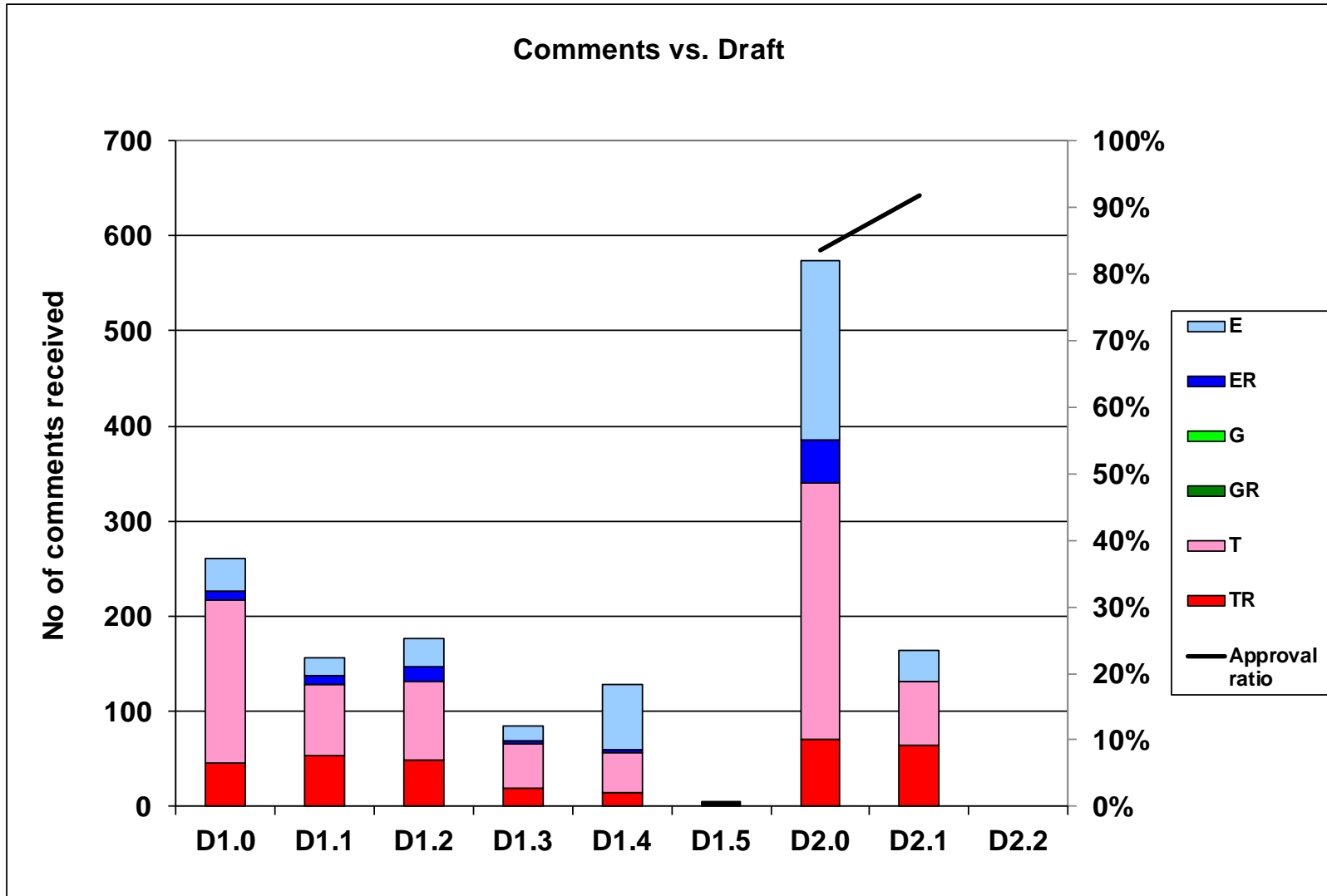
Second: Pete Anslow

Technical ( $\geq 75\%$ )

Results (y/n/a) : 73 / 0 / 1

Motion Passes

# Comment history



# Statistics

	D 2.1		
Voters	212		
Approve	122	91.7%	≥ 75%
Disapprove w comment	11		
Disapprove w/o comment	1		
Abstain	18	11.8%	< 30%
Returns	152	71.7%	> 50%

	D 2.1 after resolution		
Voters	212		
Approve	128	95.5%	≥ 75%
Disapprove w comment	6		
Disapprove w/o comment	0		
Abstain	18	11.8%	< 30%
Returns	152	71.7%	> 50%

# Unsatisfied Negative Comments

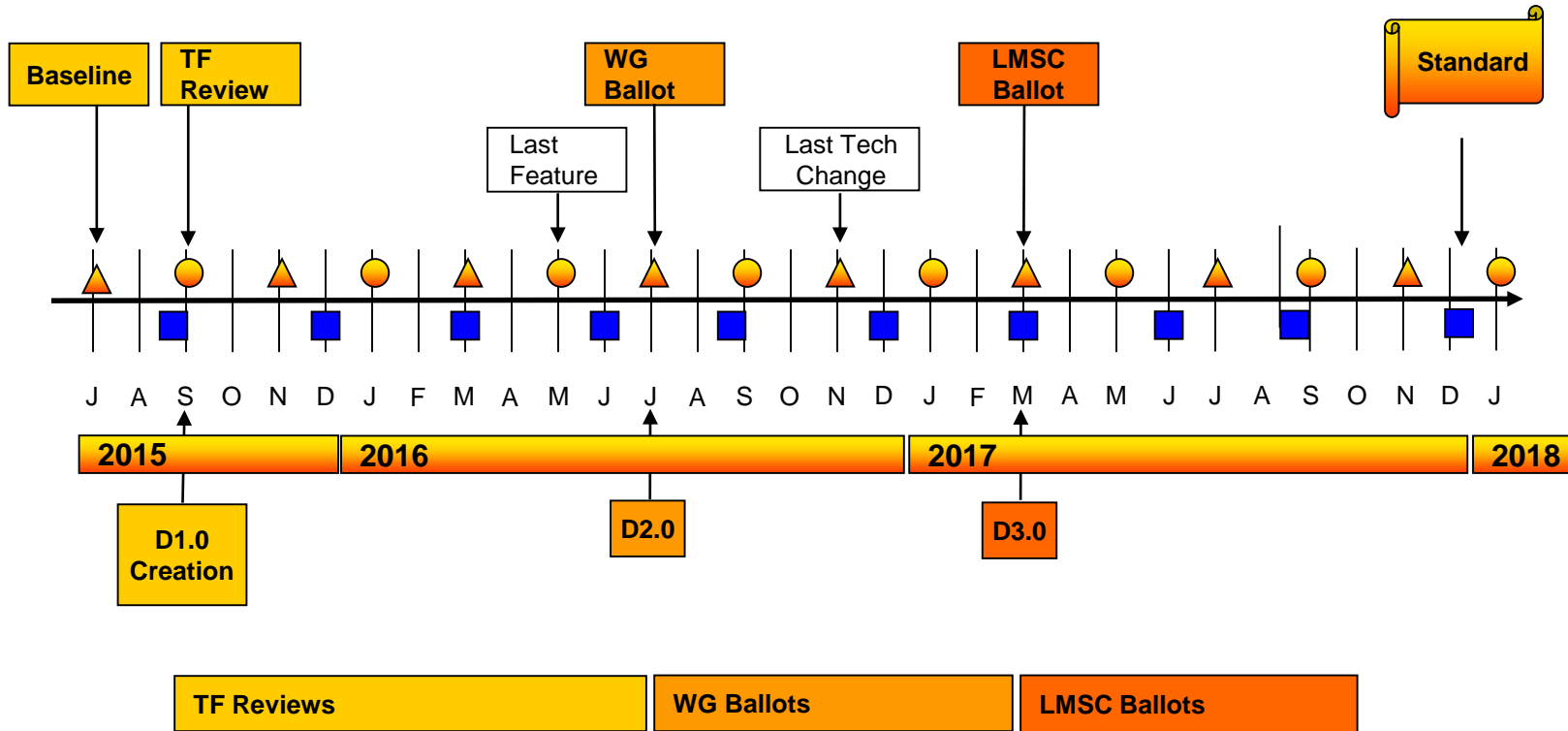
- **Unsatisfied negative comments against Drafts 2.1 and 2.0**  
Listed by clause - [http://www.ieee802.org/3/bs/comments/P802d3bs\\_D2p1\\_unsatisfied\\_Cl.pdf](http://www.ieee802.org/3/bs/comments/P802d3bs_D2p1_unsatisfied_Cl.pdf)
- Listed by ID - [http://www.ieee802.org/3/bs/comments/P802d3bs\\_D2p1\\_unsatisfied\\_ID.pdf](http://www.ieee802.org/3/bs/comments/P802d3bs_D2p1_unsatisfied_ID.pdf)
- 6 disapprove voters, 20 unsatisfied comments
- One commenter with 14, one with 2, four with 1 each
  - 1 commenter 400GBASE-FR8 does not satisfy broad market potential
  - 1 commenter 400GBASE-SR16 does not meet the economic feasibility
  - 2 commenters, 5 comments SSPRQ pattern characteristics
  - 1 commenter, 4 comments on Extinction ratio values
  - 1 commenter, 3 comments on RIN spec (remove or change values or pattern)
  - 1 commenter Make SMSR a recommendation
  - 1 commenter SNDR with  $N_p=13$  in the waveform fit
  - 1 commenter QSFP28 like connector crosstalk
  - 1 commenter, 2 comments Transition time
  - 1 commenter Remove wideband fiber



# Plan Going Forward

- D2.2 Recirculation -
  - Open – Dec 1
  - Close – Dec 15
  
- No additional interim is planned if conditions for going to Sponsor Ballot are not met.
  - Per timeline – request for Sponsor Ballot would be March 2017 Plenary.

# IEEE P802.3bs 200GbE and 400GbE Adopted timeline



Adopted by IEEE P802.3bs 400GbE Task Force, Sept 2015 Interim.

**Legend**

- ▲ IEEE 802 Plenary
- IEEE 802.3 Interim
- IEEE-SA Standards Board

# Future Meetings

See: <http://www.ieee802.org/3/interims/index.html>

## Jan 2017 Interim

Week of Jan 9

Huntington Beach, CA, 92648

## Mar 2017 Plenary

Week of Mar 13

Vancouver, BC, Canada

## May 2017 Interim

Week of May 22

New Orleans, LA, USA

## July 2017 Plenary

Week of July 9

Berlin, Germany

## Sept 2017 Interim

Week of Sept 11

North American Location

## Nov 2017 Plenary

Week of Nov 6

Orlando, FL, USA

Questions?

Thank you!