

802.3ad
Link Aggregation Task Force

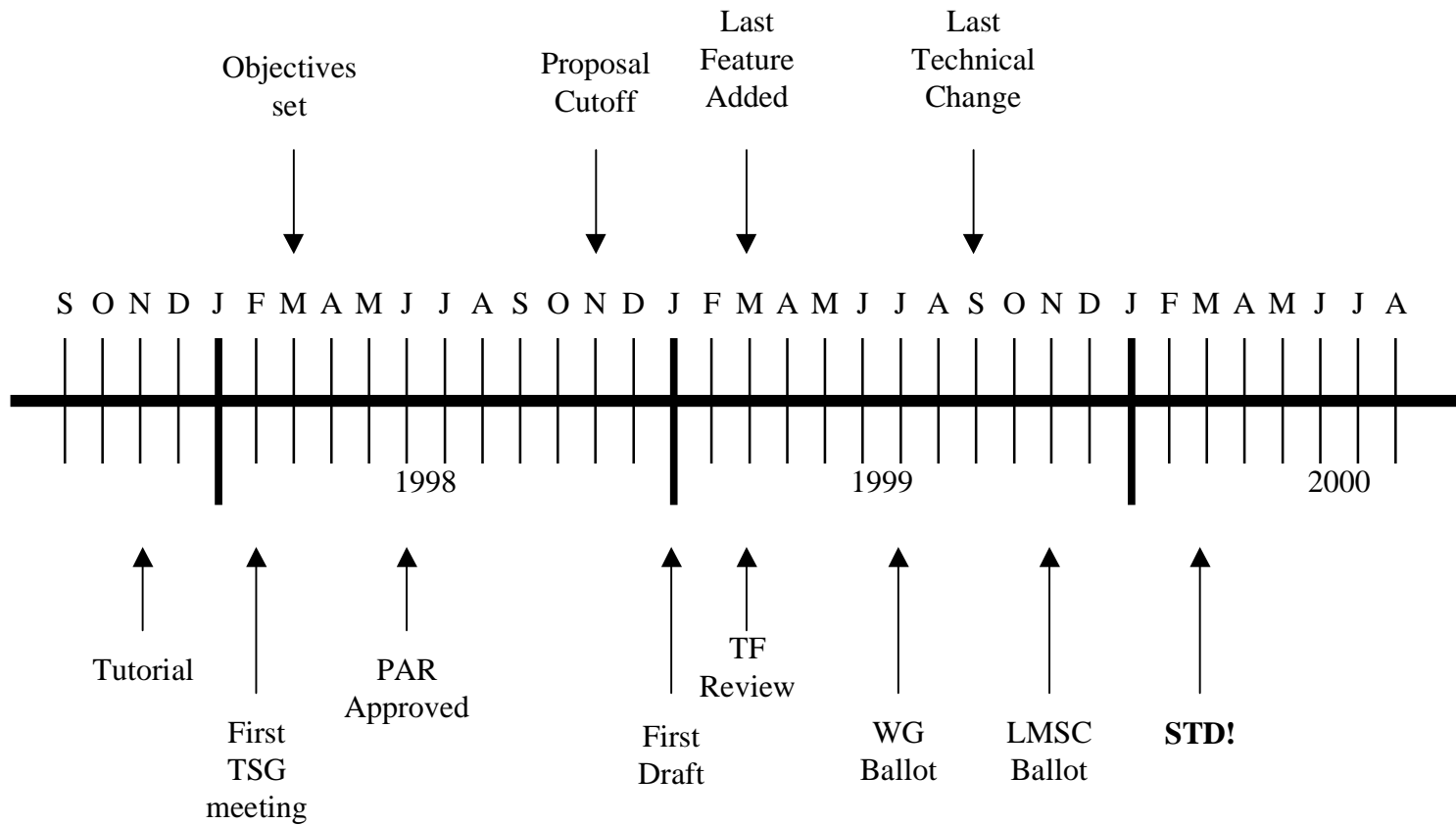
November 9, 1998

Albuquerque, NM

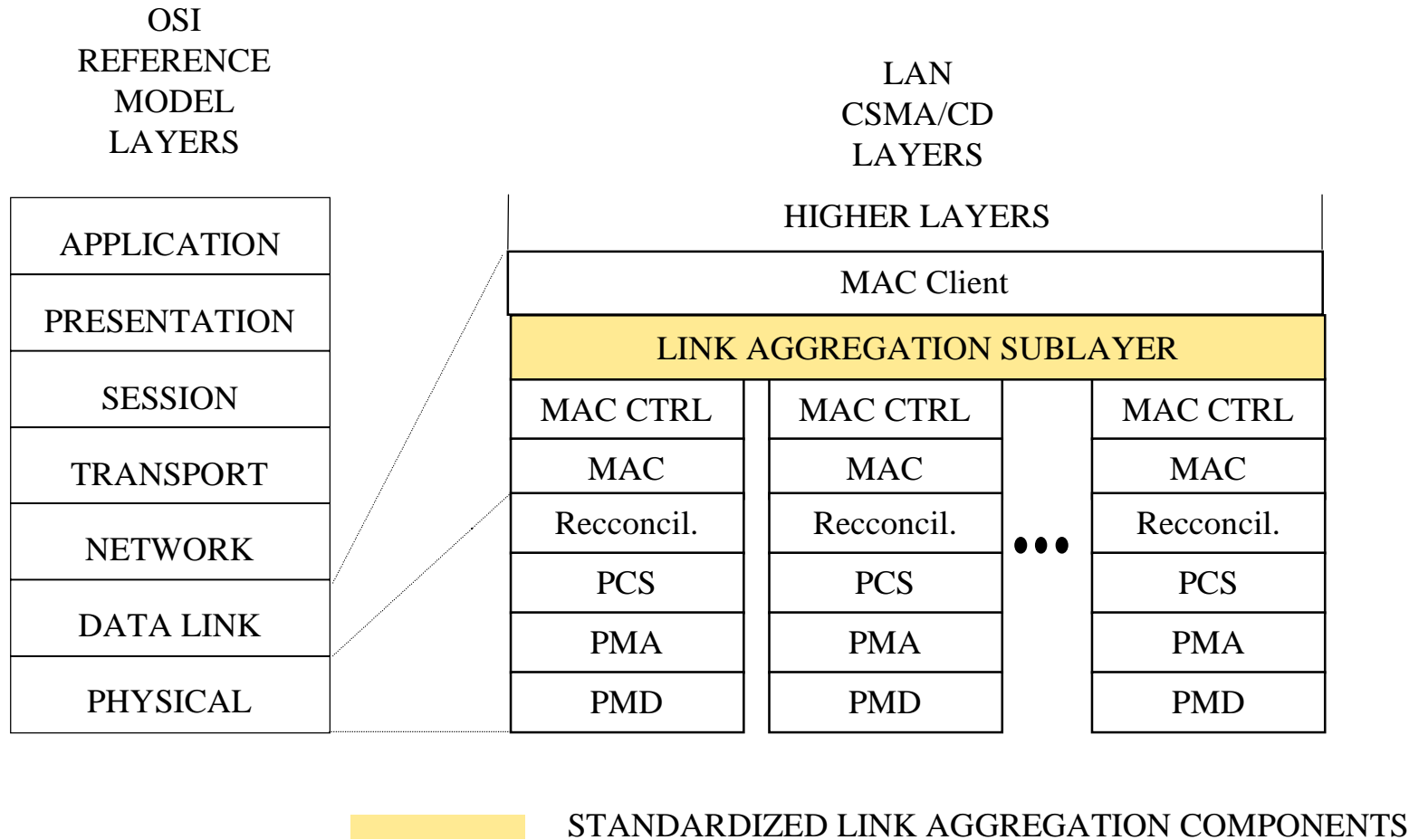
November 802.3ad Objectives

- Cutoff date for new proposals for Link Aggregation
 - Selection of a Link Aggregation Control Protocol proposal for inclusion in the first draft of the standard.
- Primary objective of this meeting is to resolve any open issues and authorize the editor(s) to generate a first draft of the 802.3ad Link Aggregation standard.
- Presentations:
 - Tony Jeffree Link Aggregation Control
 - Jeff Lynch Selection Rules

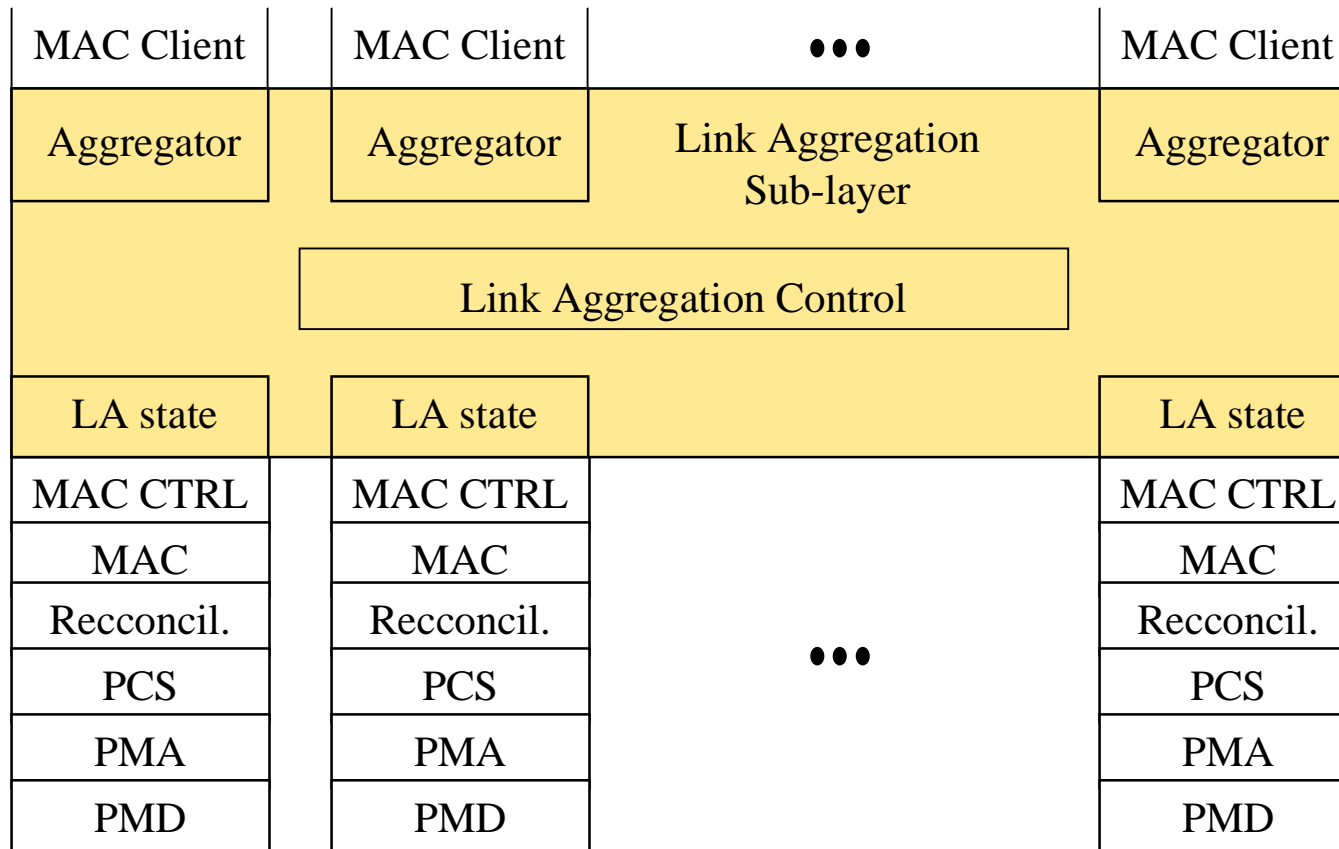
802.3ad Timeline



Link Aggregation Reference Model



Link Aggregation Control Model



“Big Ticket” Issues

- Specification of Distributor frame ordering constraints
 - Current frame ordering constraint is adequate.
 - A brief informative annex with example traffic distribution rules may be included.
- Architectural Model: # of aggregate ports required
 - # of aggregate ports may be \leq to # of physical ports
- Addressing: MAC address per aggregate or per physical
 - Aggregate port has one individual MAC address
 - Physical MACs are only required to recognize a single individual MAC address at any given time.
 - When bound to an Aggregate, the Physical MAC recognizes the MAC address of the Aggregate.
 - When not bound to an Aggregate, it is recommended that each Physical MAC recognize a unique individual address.

“Big Ticket” Issues

- Dynamic Key modification rules
 - To be discussed following Tuesday’s presentations
- Selection rules
 - To be discussed following Tuesday’s presentations
- MAC addresses in LA Control frames
 - Will request a new Ethertype to be assigned for LA Control frames
 - Will request a new group MAC address from the 802.1 block.
 - The address should be re-usable by other compatible protocols.
- Extensibility of LA Control frames
 - To be discussed following Tuesday’s presentations
- Managed objects for LA Control and “logical MAC”
 - Action Item to a small group to create a proposal by Wednesday