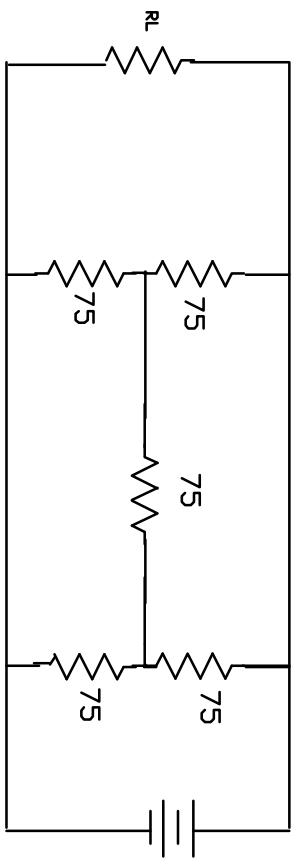
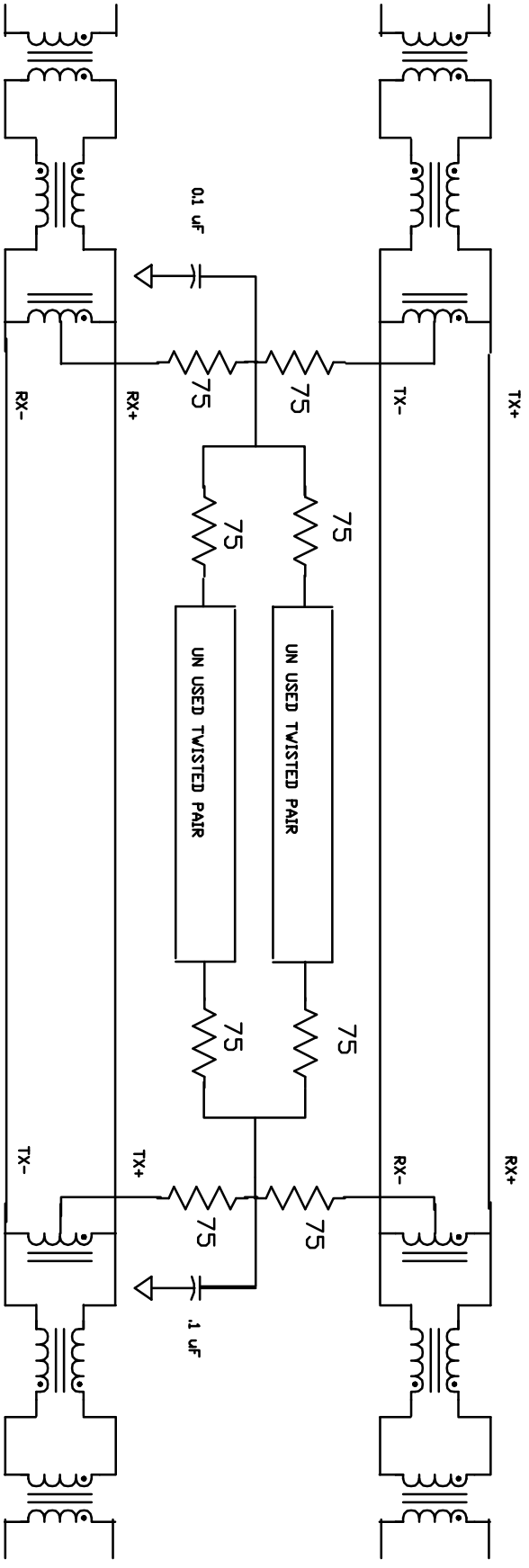


THE INFORMATION CONTAINED HEREIN IS CONSIDERED PROPRIETARY TO BEL FUSE INC. AND SHALL NOT BE COPIED, REPRODUCED OR DISCLOSED WITHOUT THE WRITTEN APPROVAL OF BEL FUSE INC.



EQUIVALENT CIRCUIT D.C. CURRENT

DRWN	SWE	DATE	8/5/99	TITLE	10/100 BASE TX INTERFACE.		PART NO. /DWG. NO.	STANDARD DIM. TOLERANCE		UNIT	:IN (min)	REV.	: AP		
CHKD	SWE	DATE	8/5/99					FILE NAME	PHSch	.XX	±.1	SCALE	: NONE	SIZE	: A
										.XXX	±.005			PAGE	: 4
FORM NO. - EN002032293															