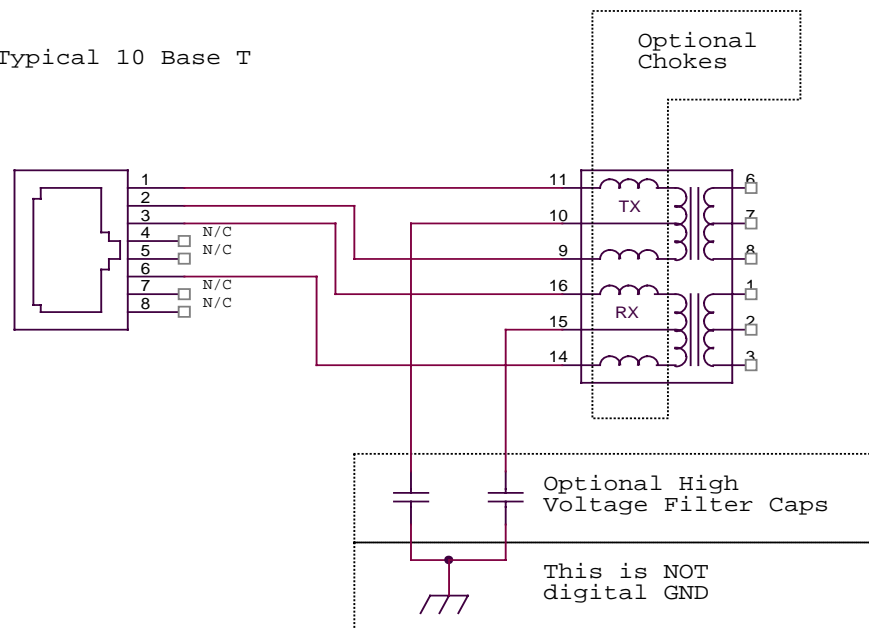


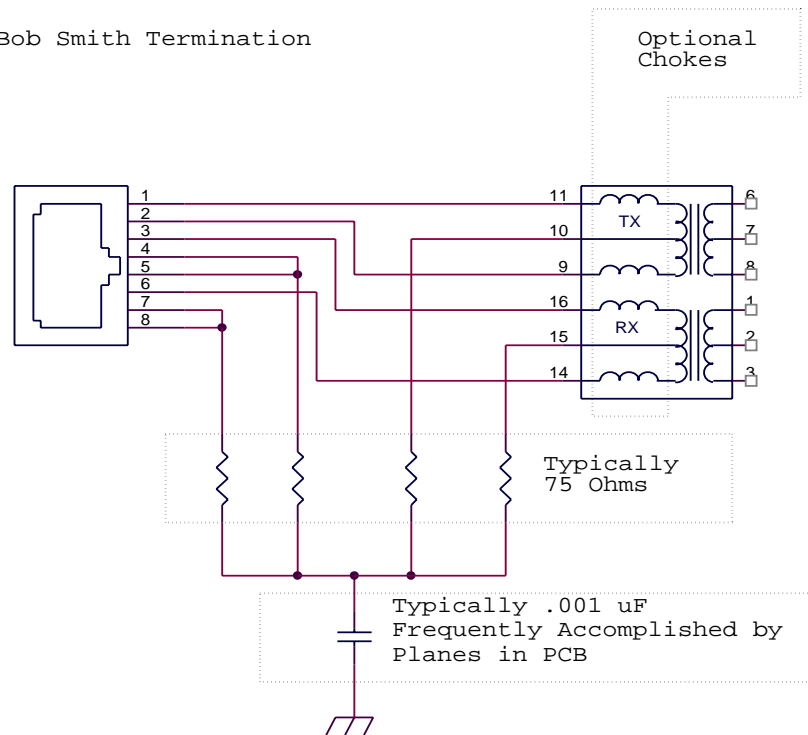
Termination Type A

Typical 10 Base T

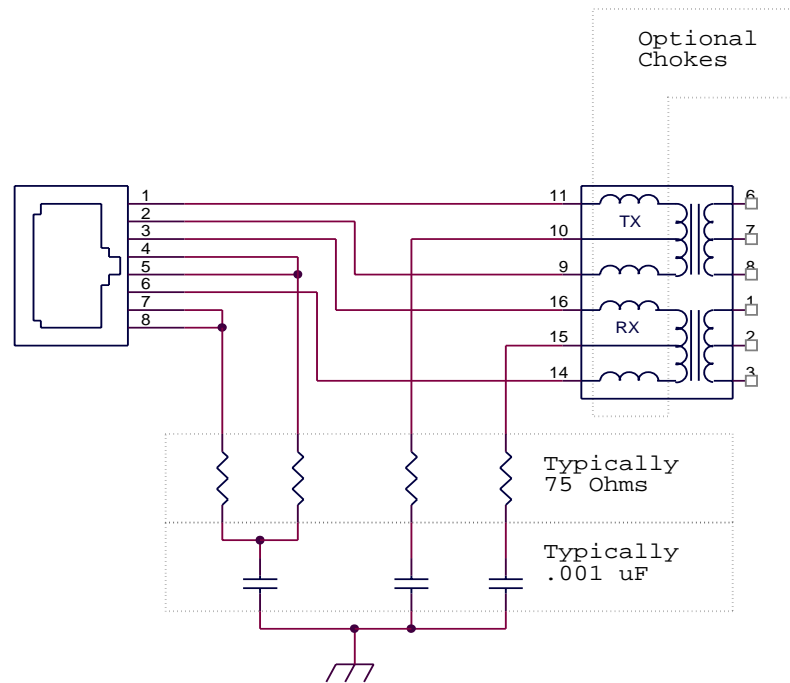


Termination Type B

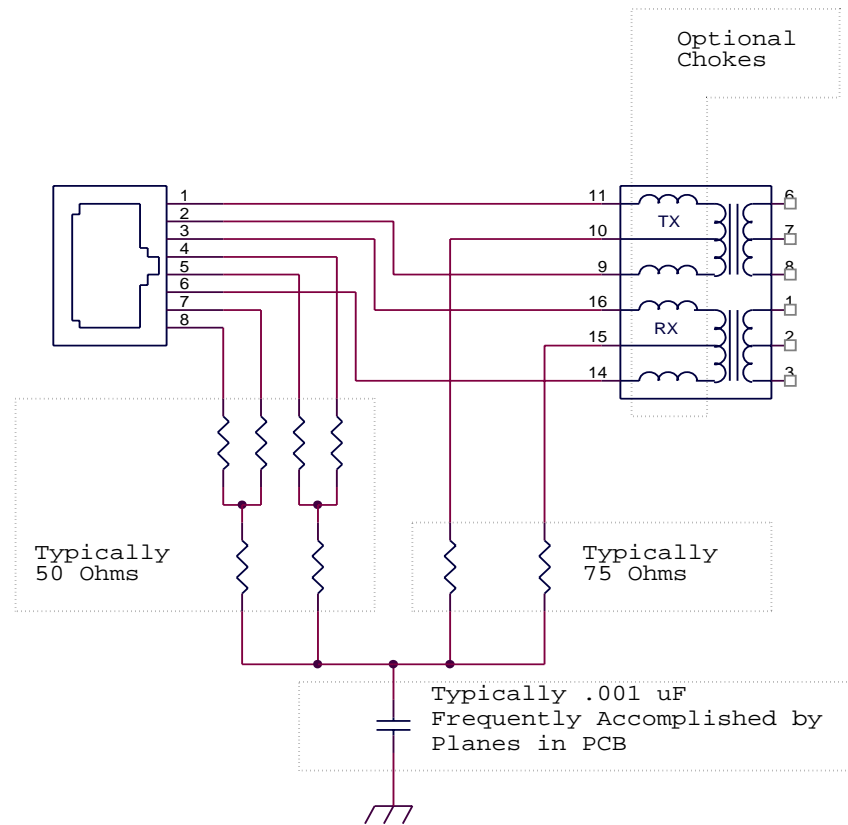
Bob Smith Termination



Termination Type C



Termination Type D



Termination Type E

FDDI Appendix I.2

