
Subscription services: Simple Reservation Protocol (SRP), A Residential Ethernet SG presentation

**David V James JGG
Alexei Beliaev Gibson**

For details, see available white papers:

dvjReCompact2005May14 – summary clauses, for quick read

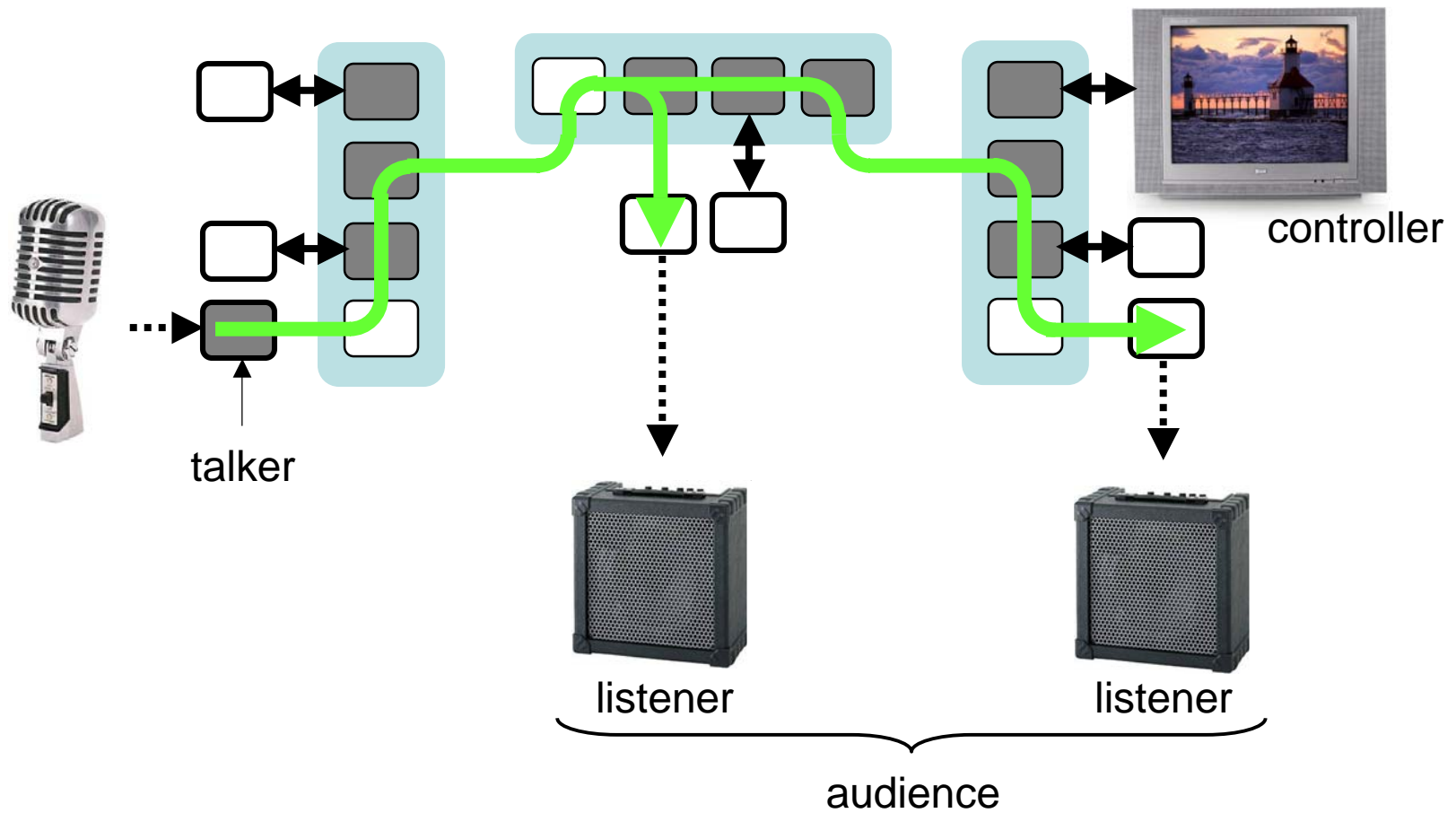
dvjReComplete2005May14 – all clauses, for in-depth thought

Available at:

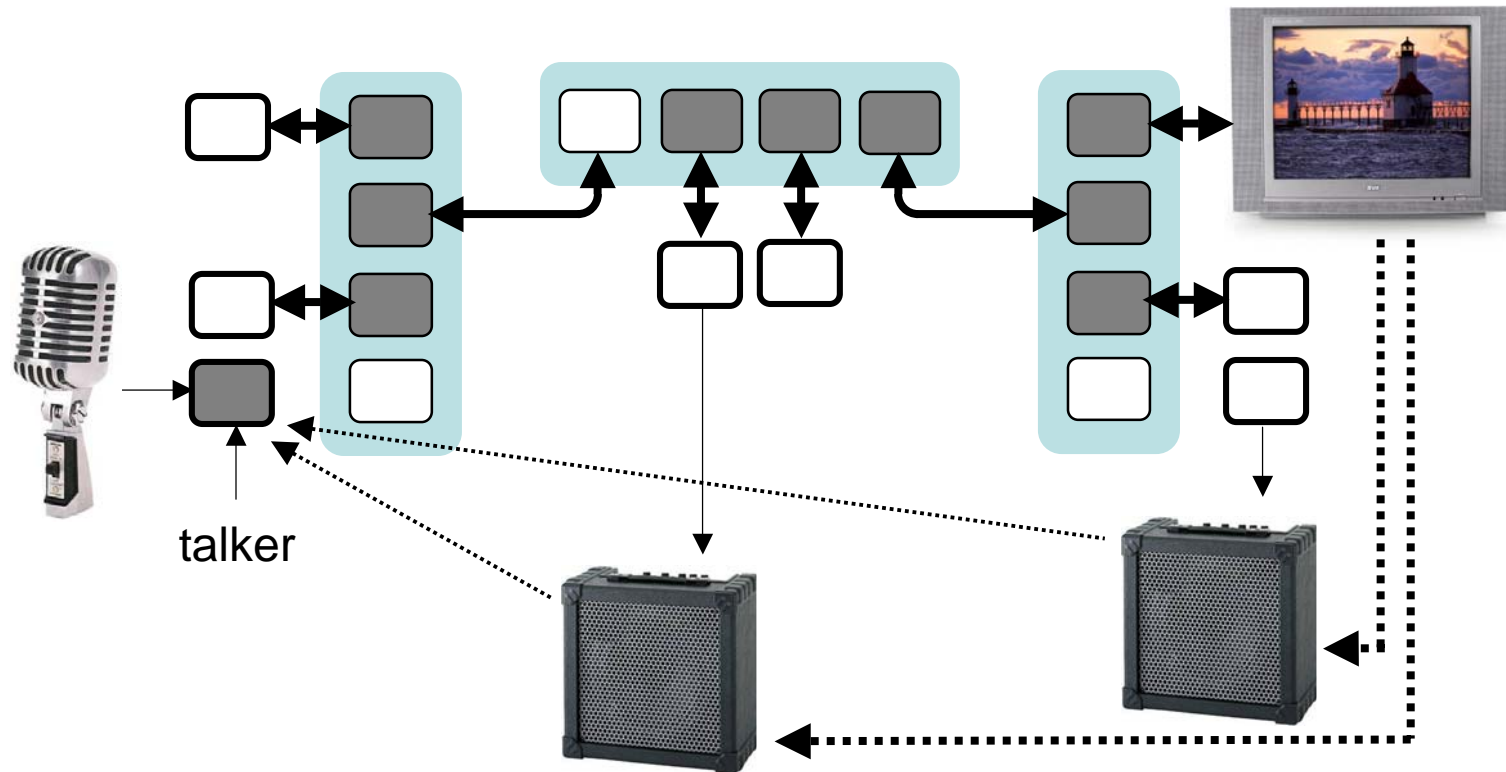
http://www.ieee802.org/3/re_study/material/index.htm

dvjames.com/esync (a DVJ site, until IEEE site is updated)

Subscription components



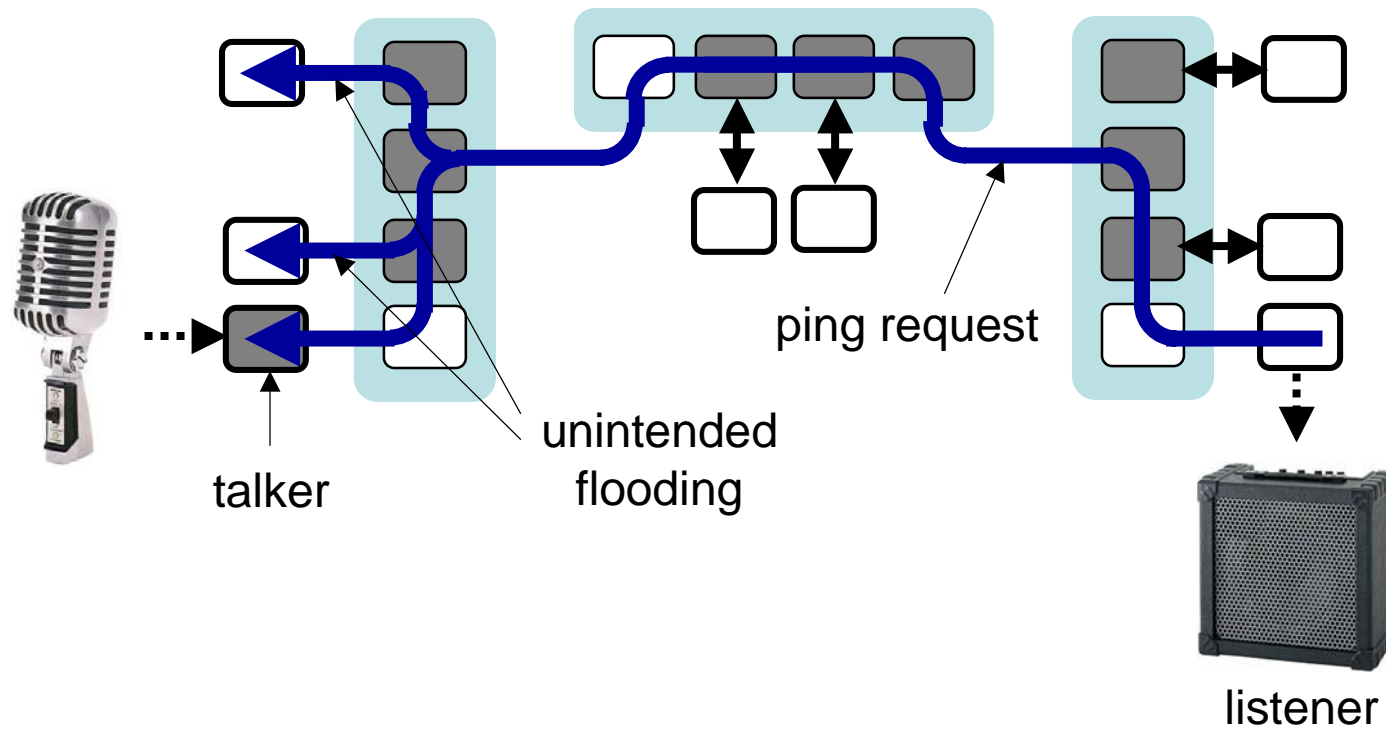
Controller activation



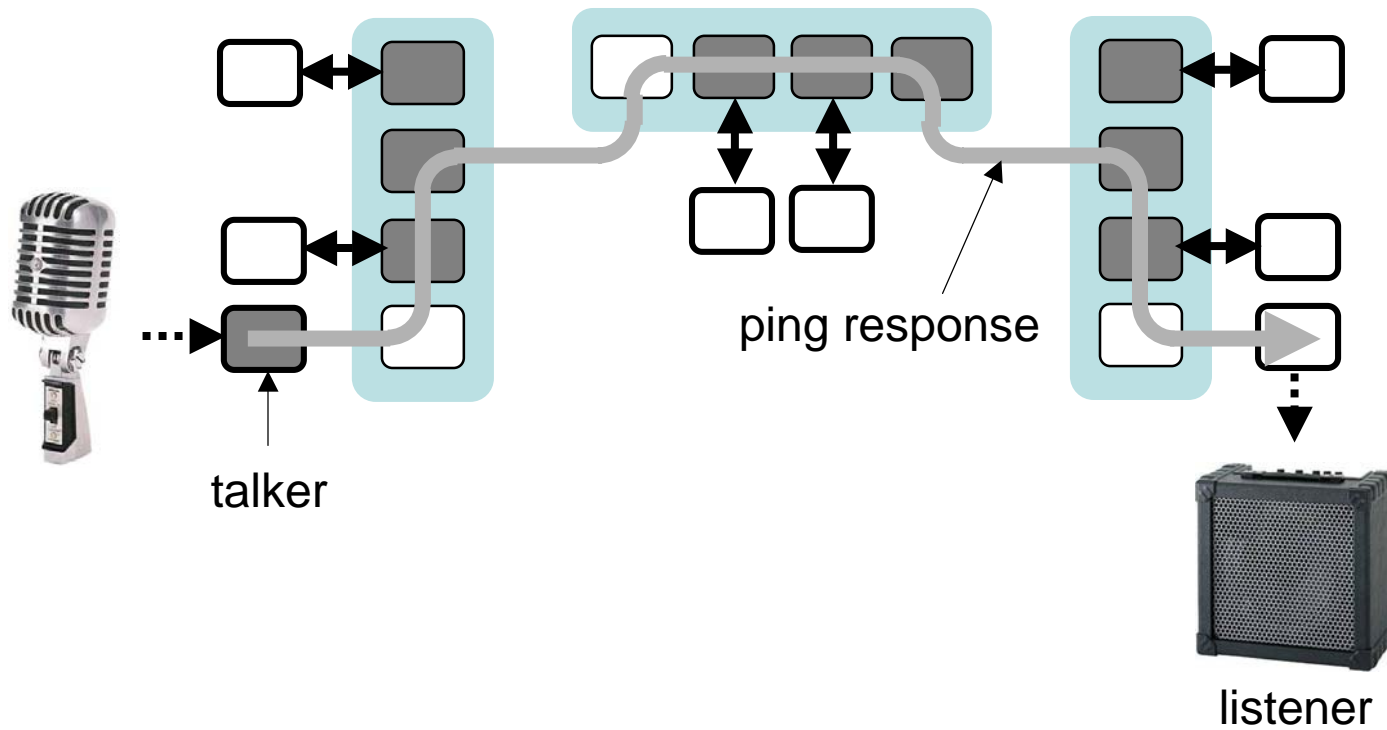
Legend:

- ◀..... Controller activates the listener, provides talker's streamID
- ◀..... Listener subscribes to the talker's streamID

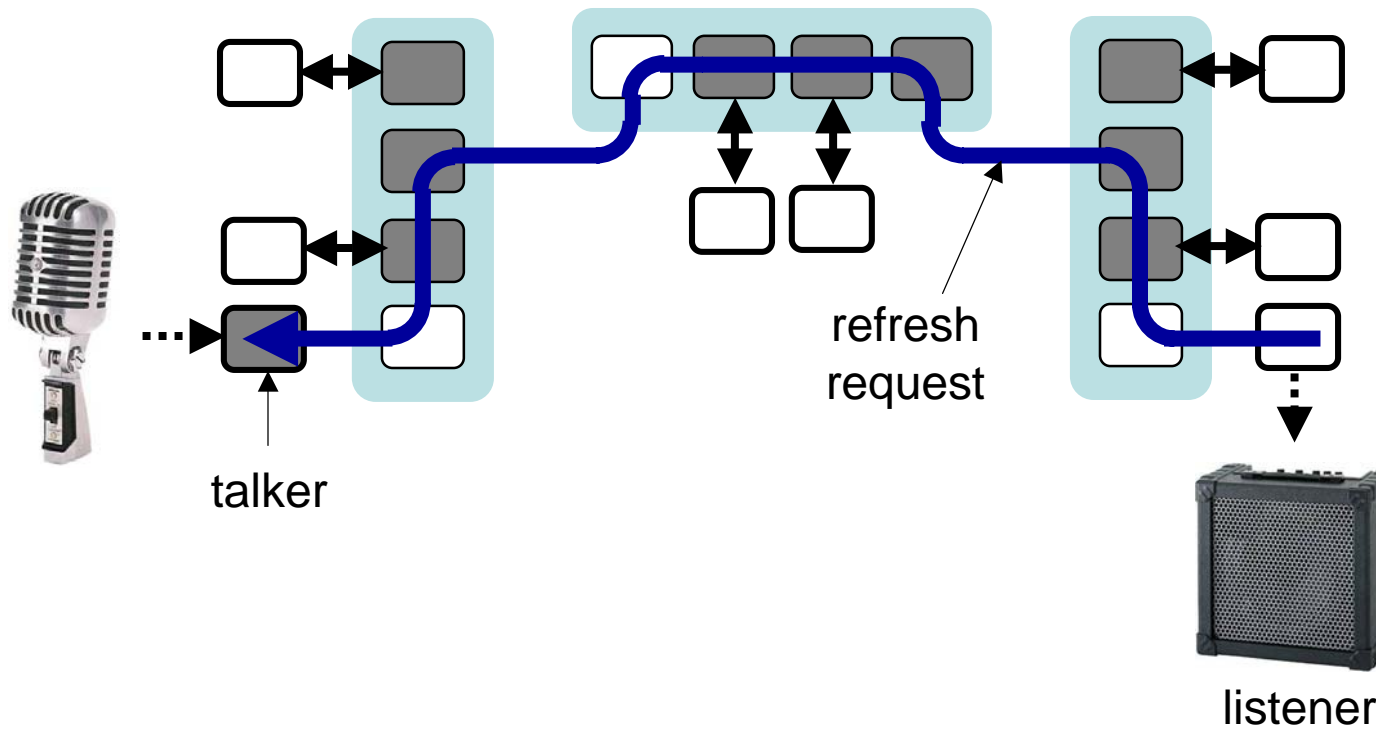
Ping request



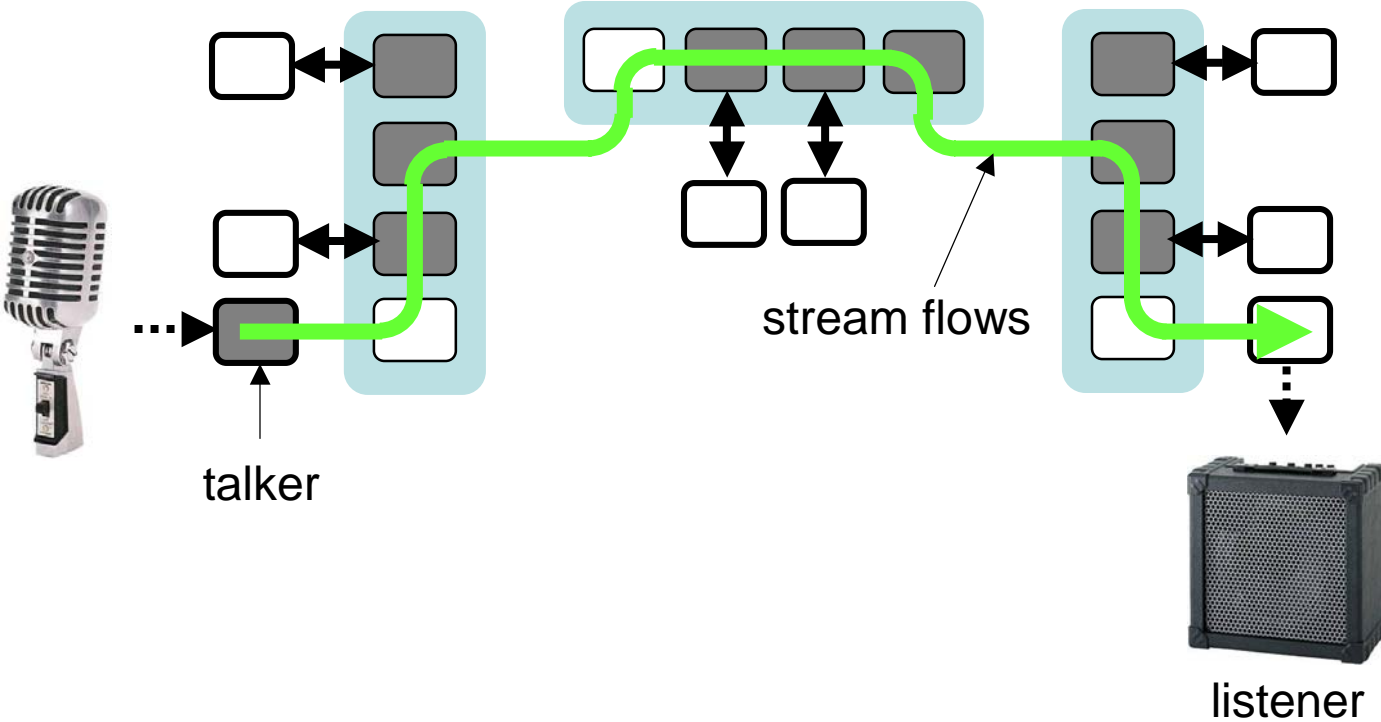
Ping response



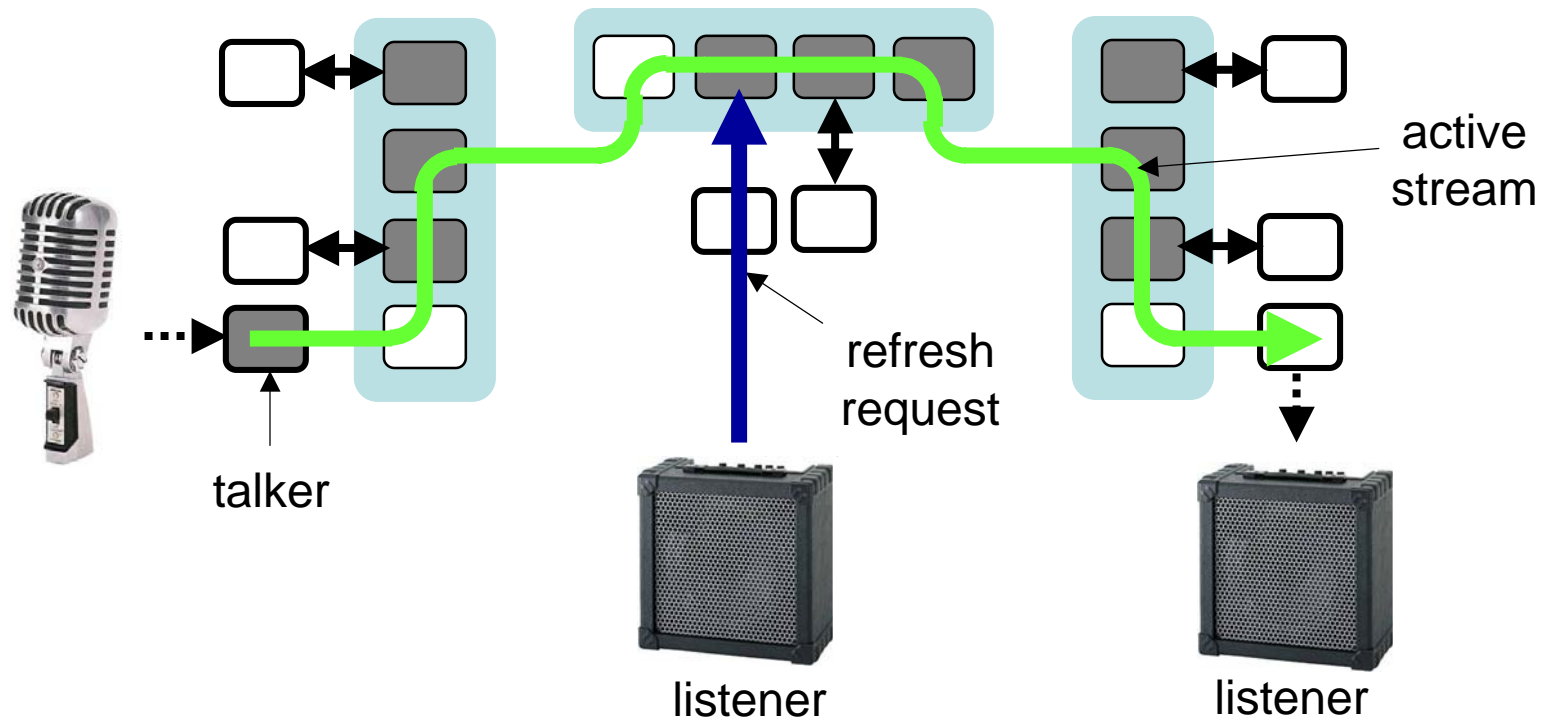
First Request Refresh message



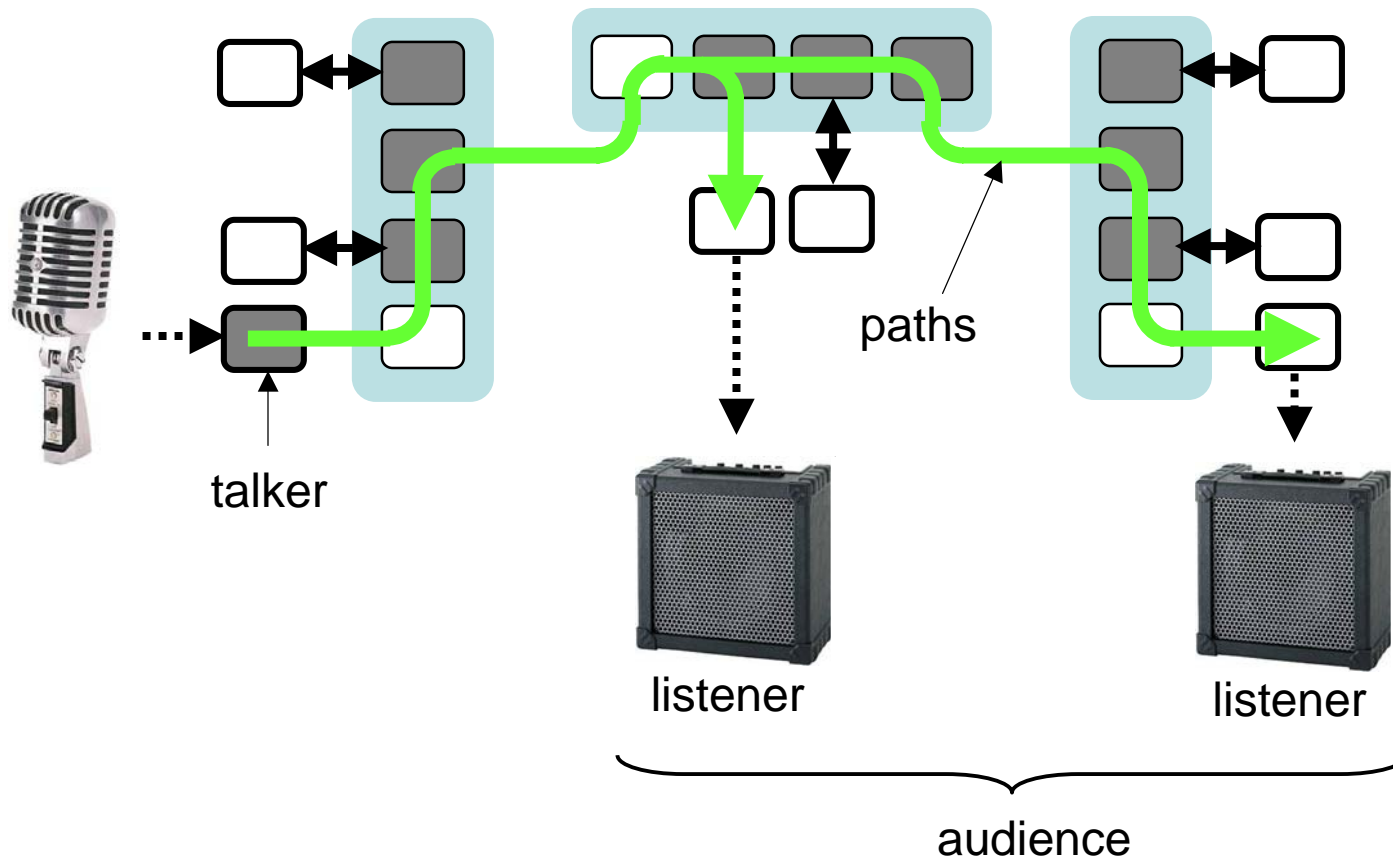
Baseline stream established



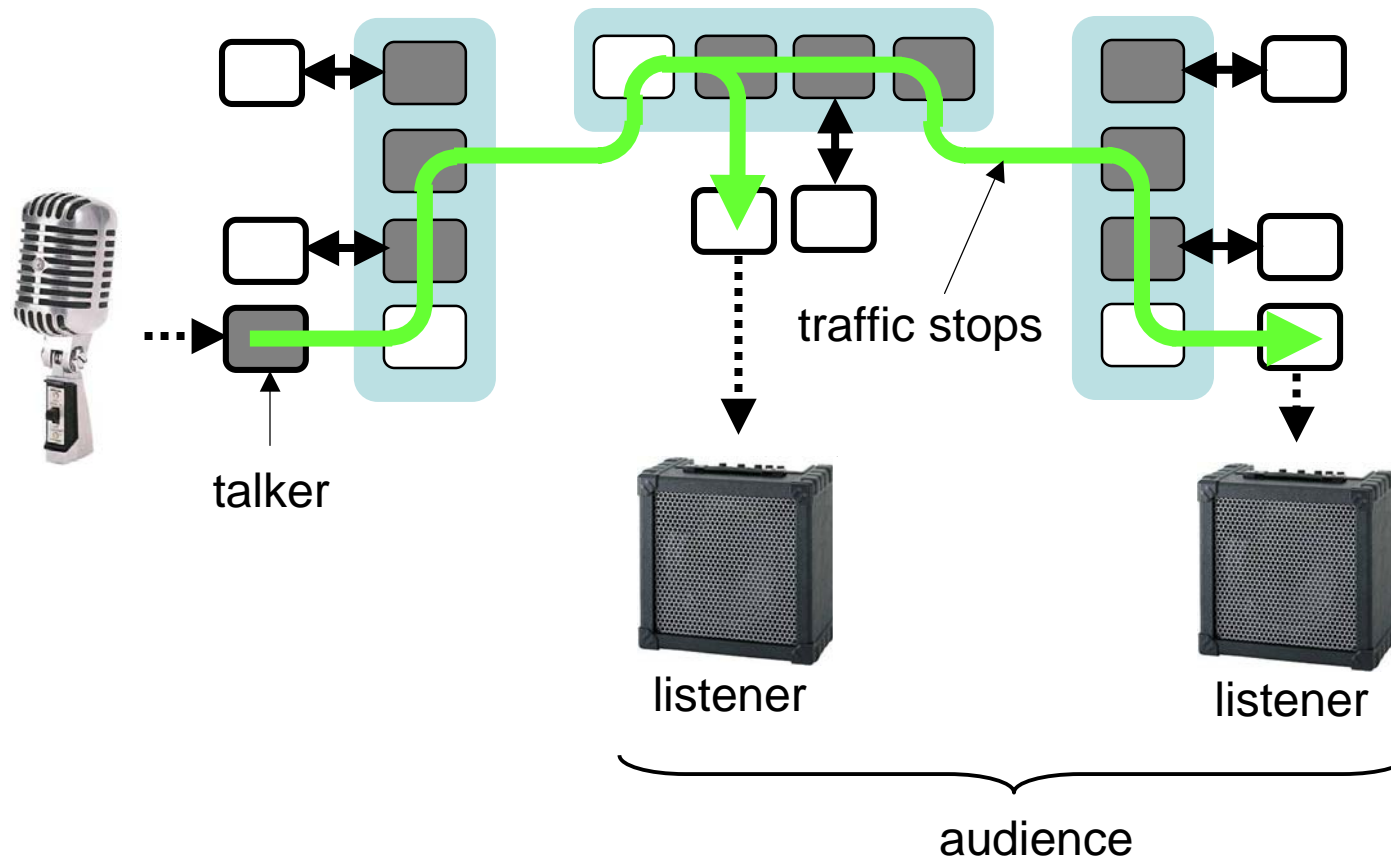
Next Request Refresh message



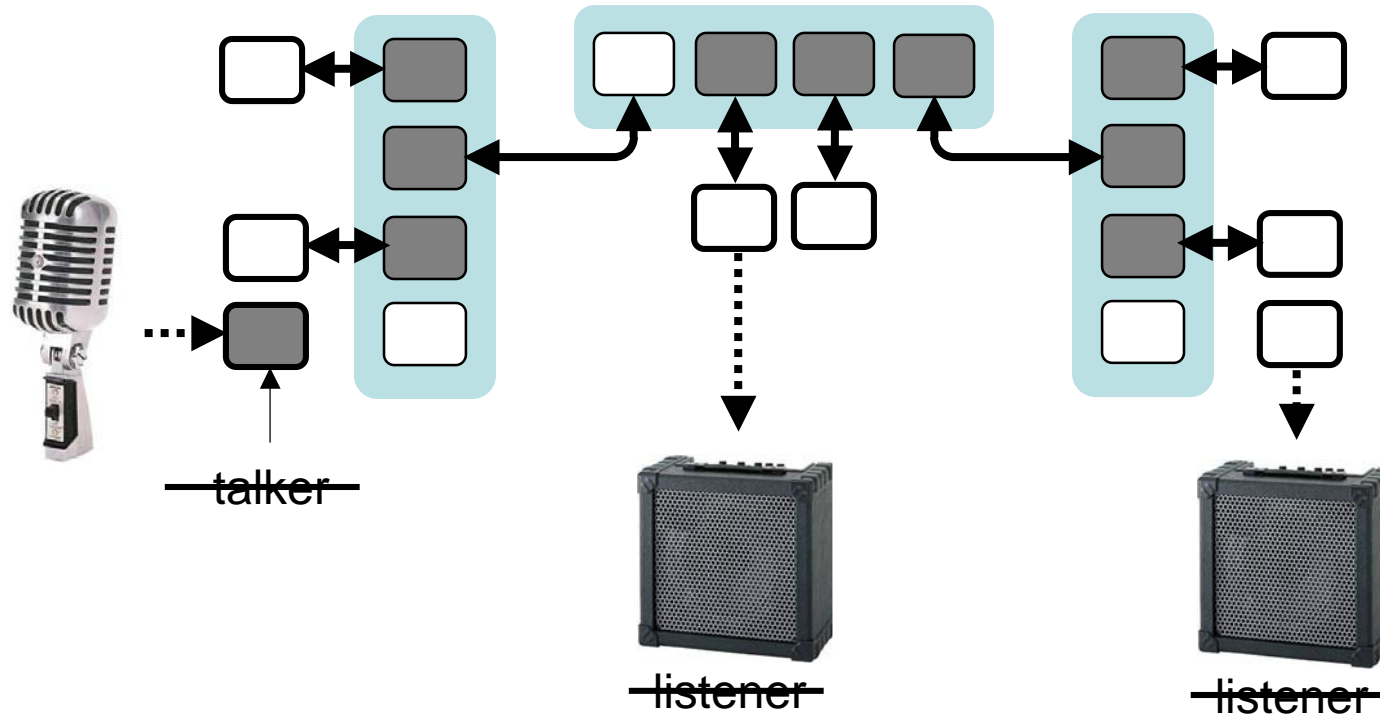
Established paths



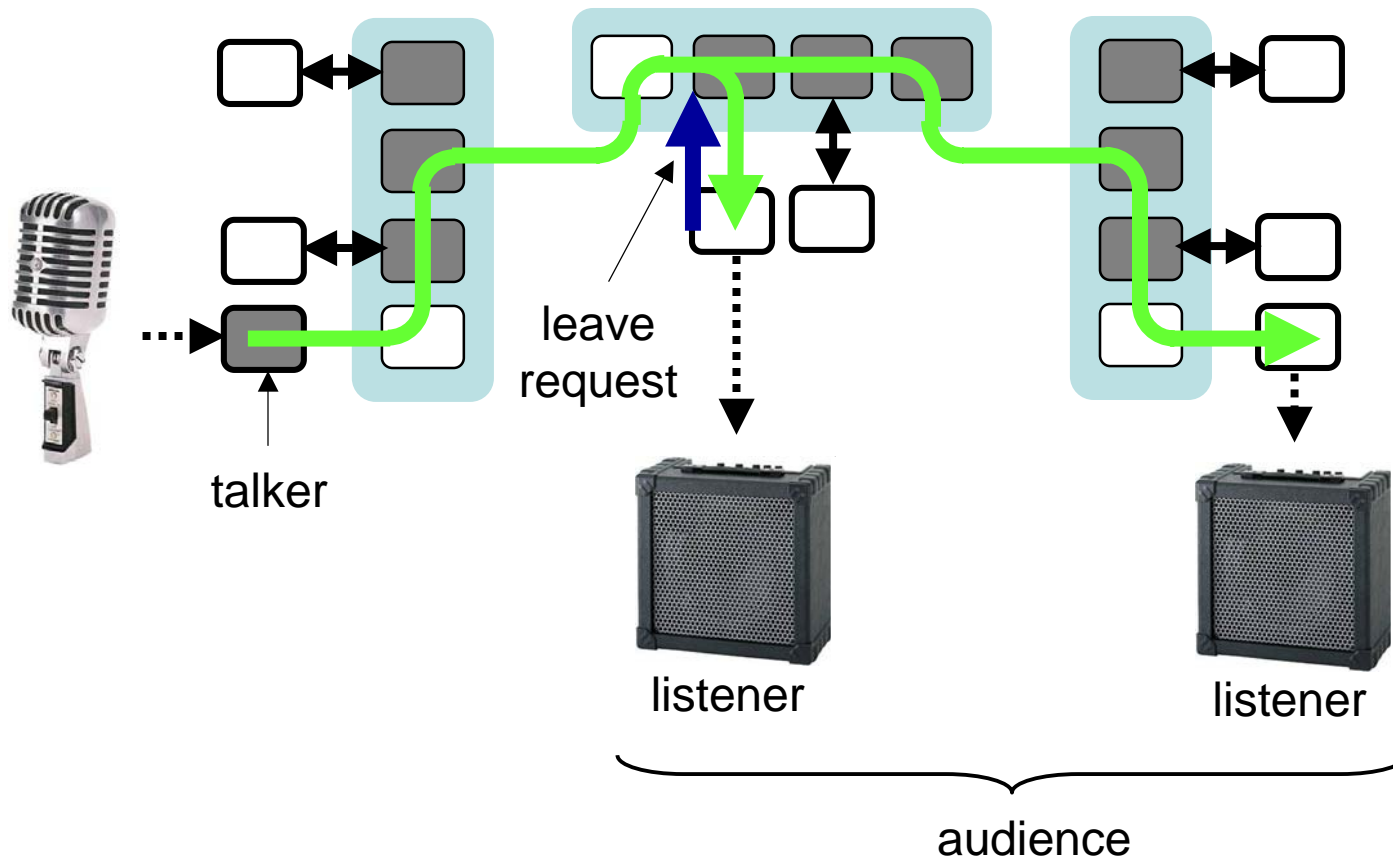
Teardown: talker → audience



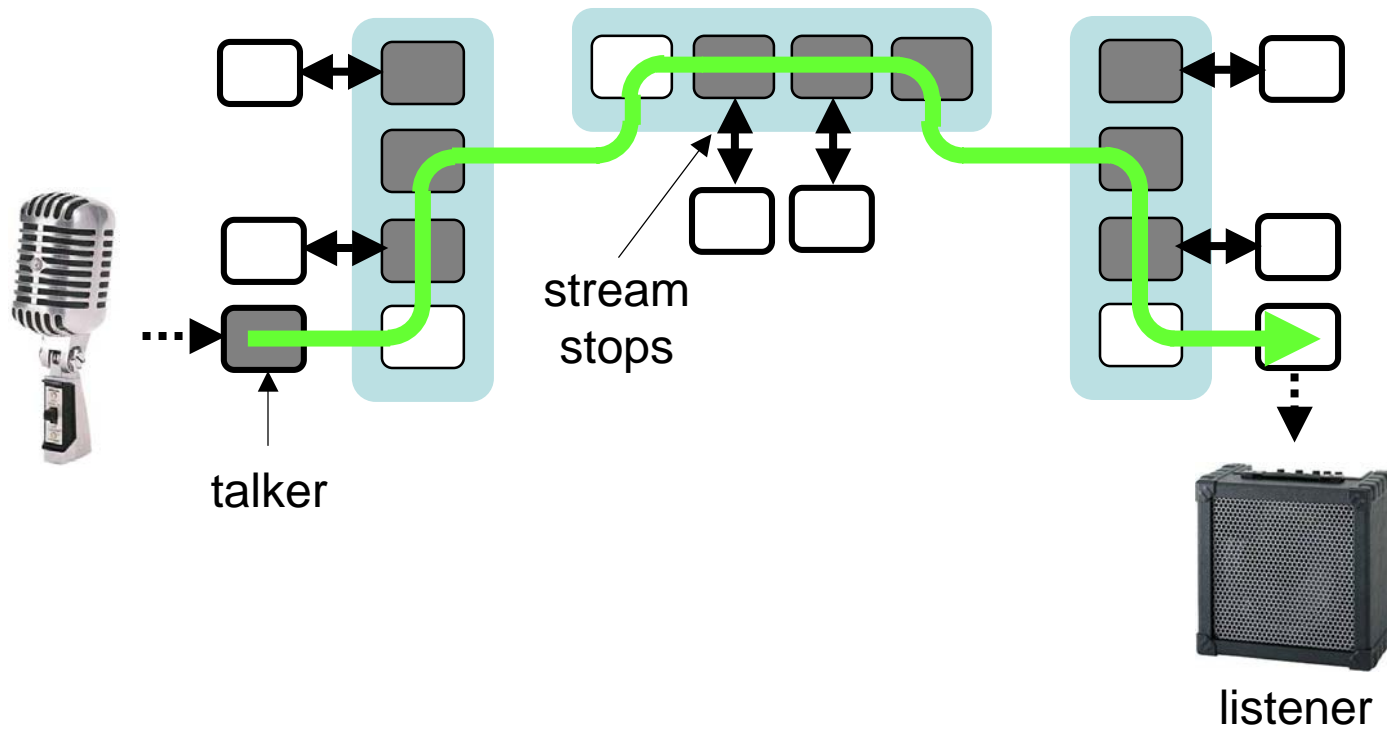
Teardown completed



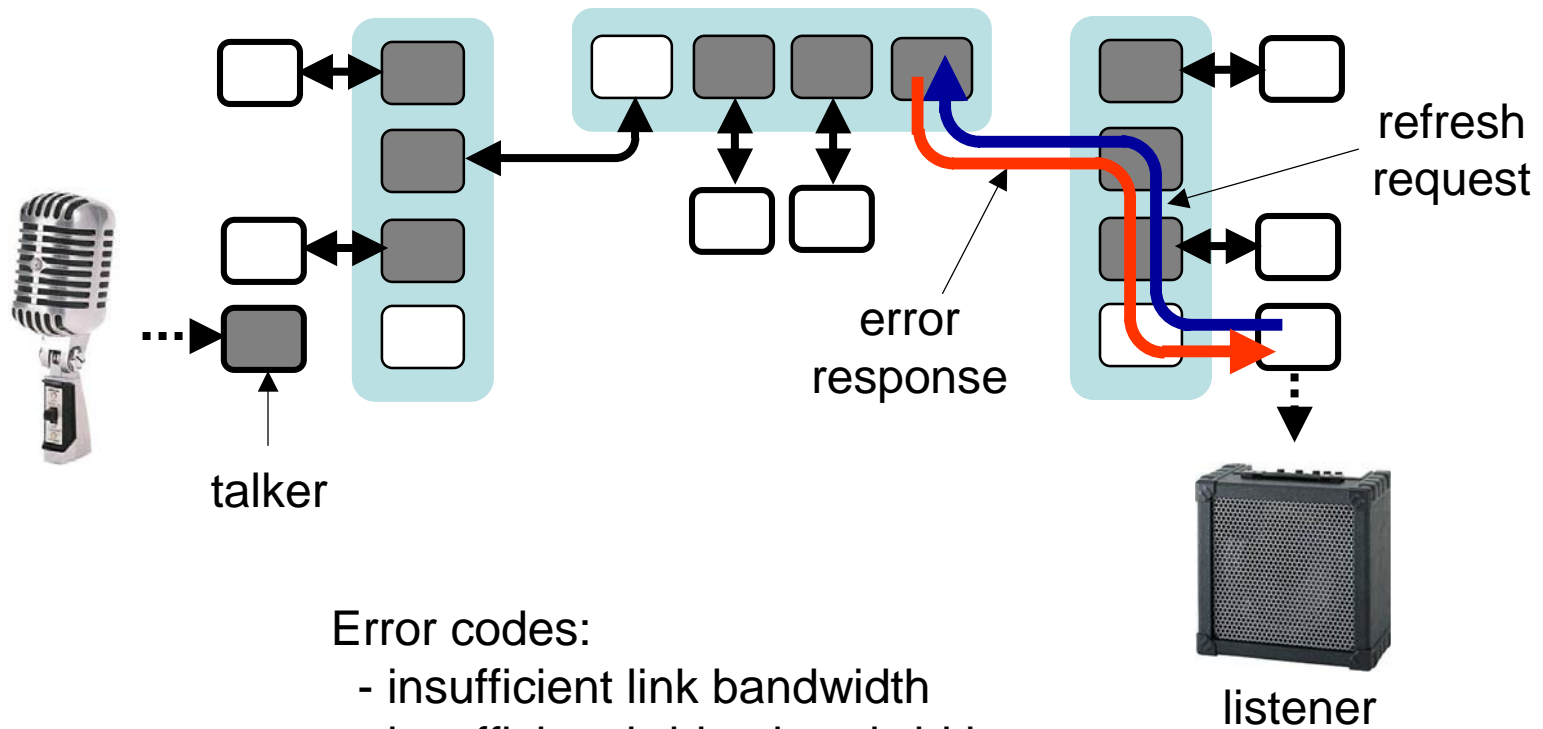
Release: listener → talker



Side-path released



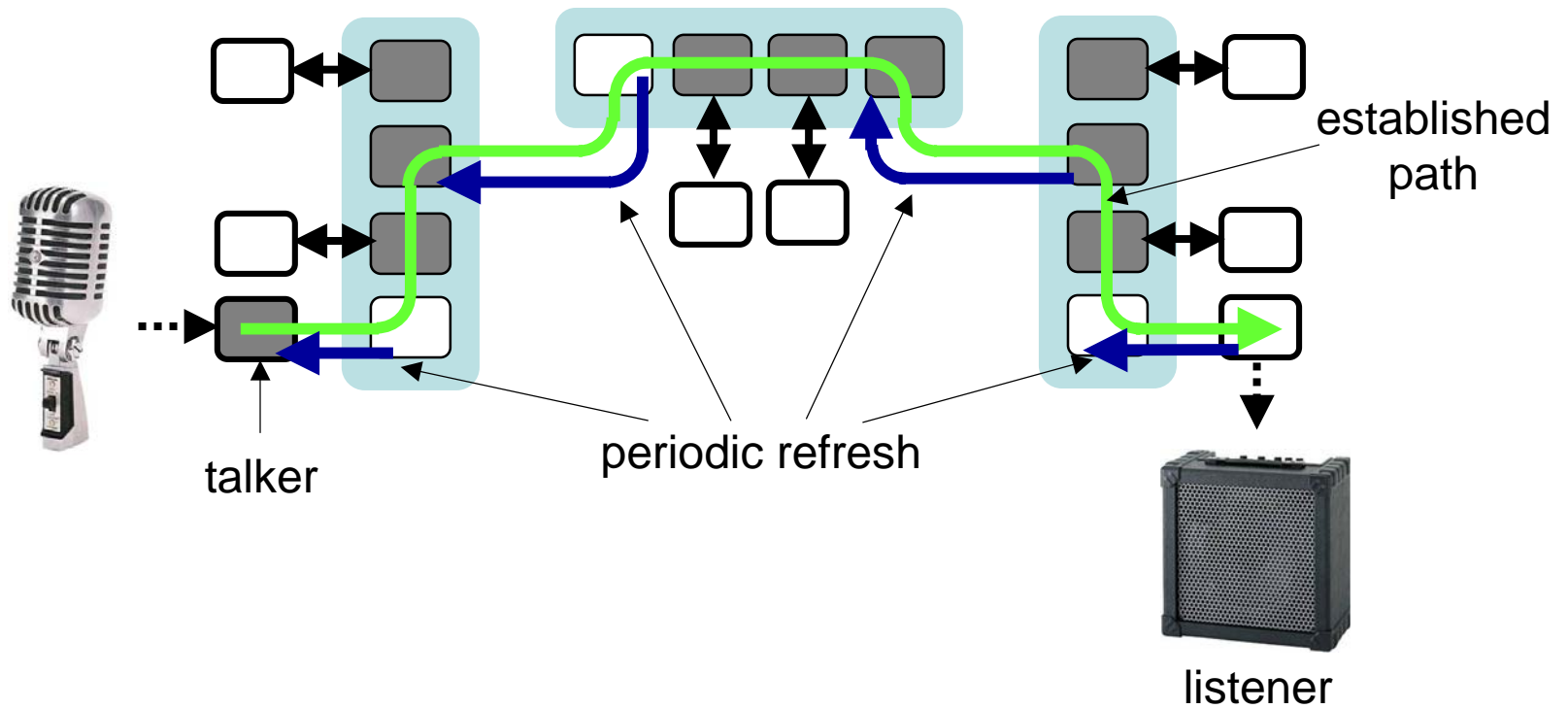
Error responses



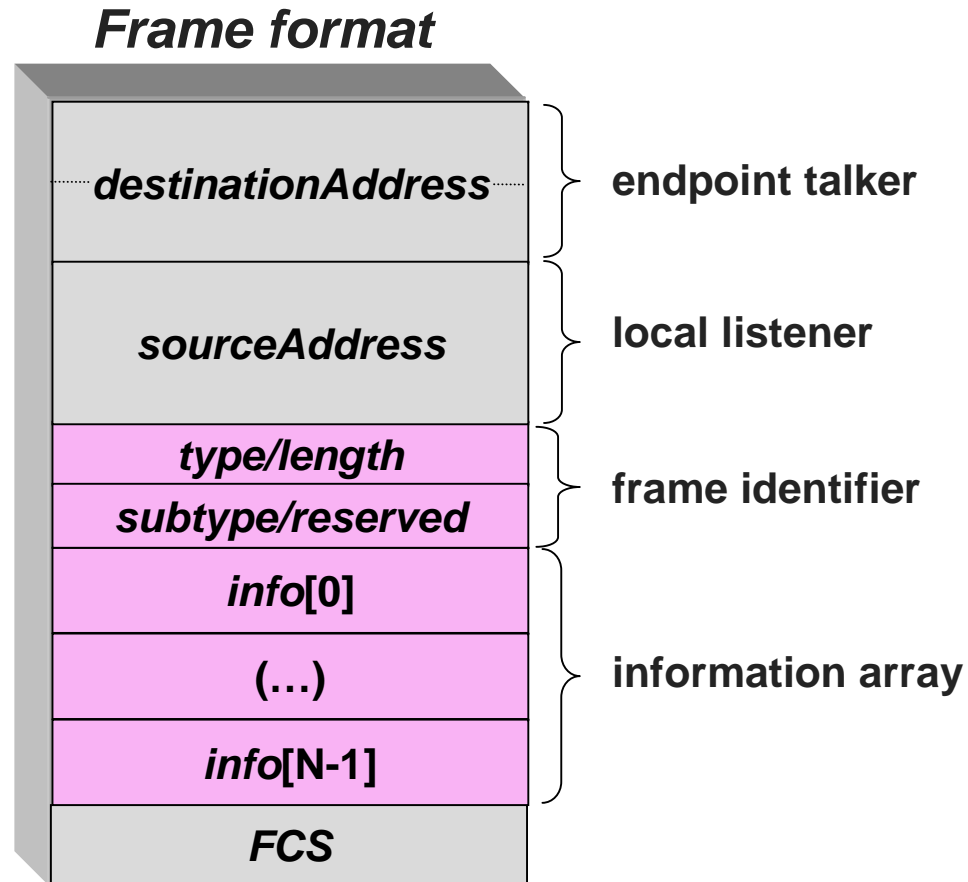
Error codes:

- insufficient link bandwidth
- insufficient bridge bandwidth
- unknown path to talker
- ...

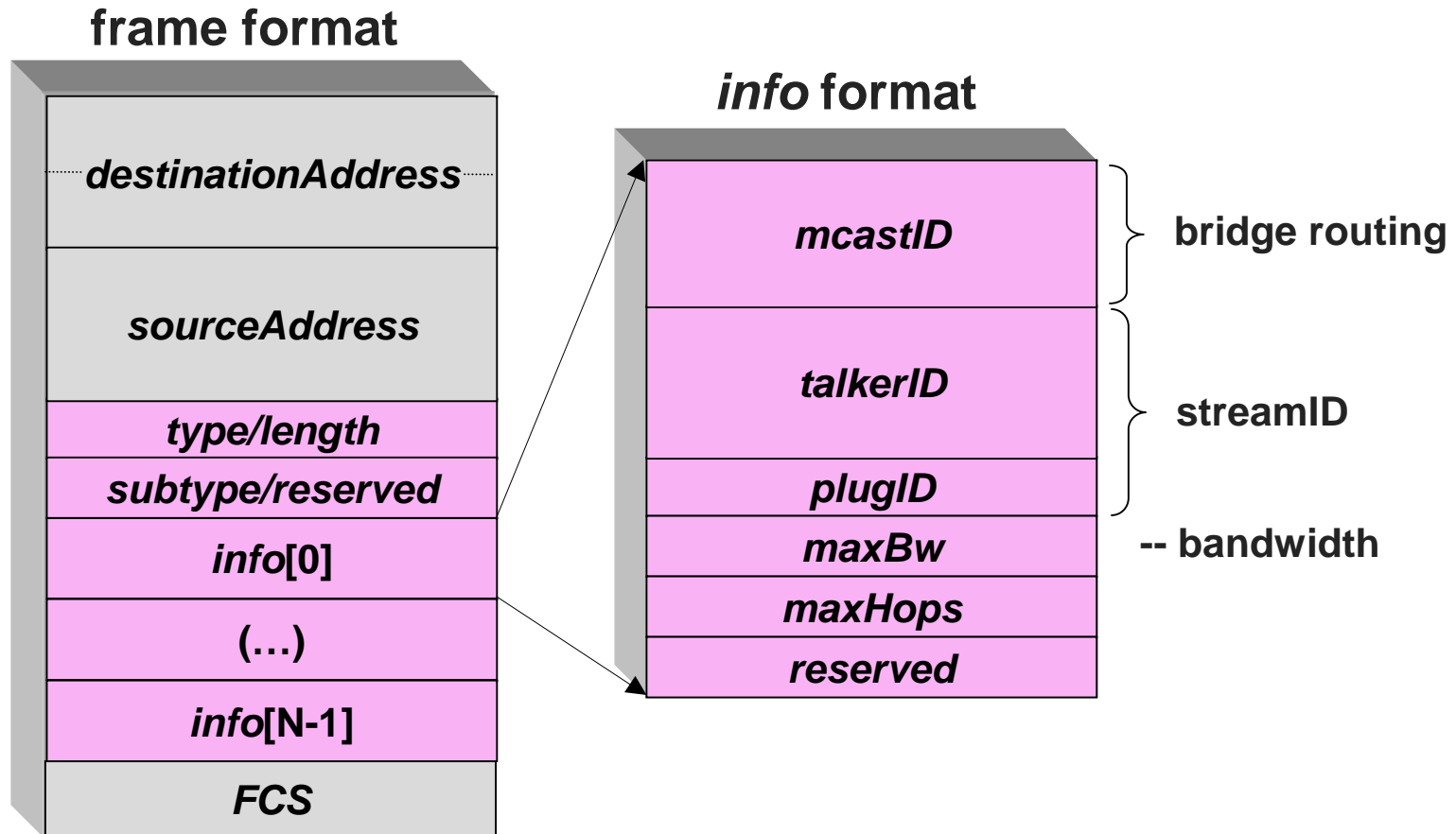
Heartbeats: periodic listener refresh



RequestRefresh format



RequestRefresh details



RequestLeave/ResponseError

