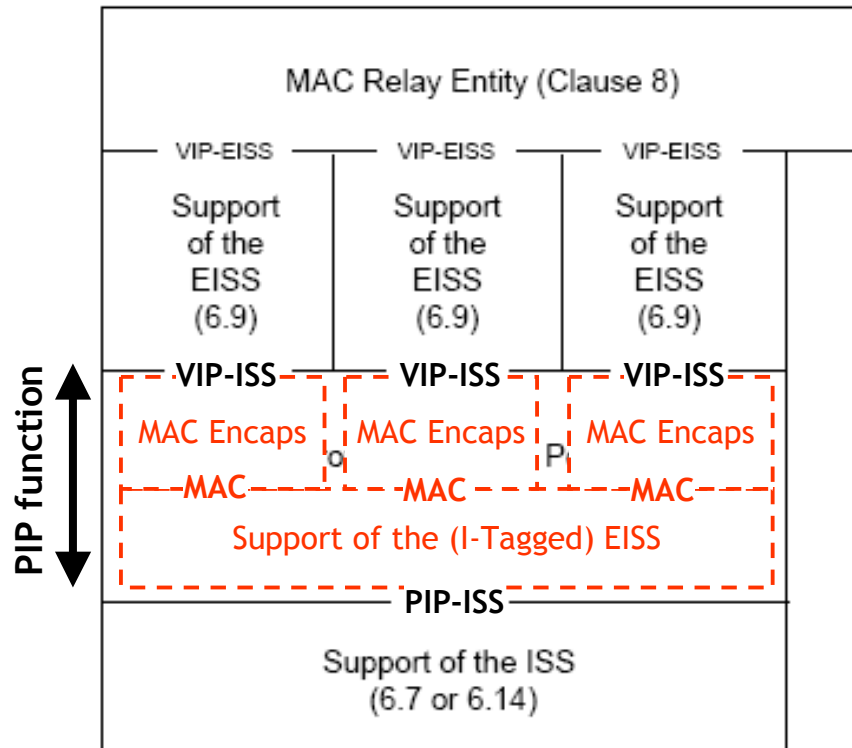


802.1ah/D3.8 comments MAC_Operational

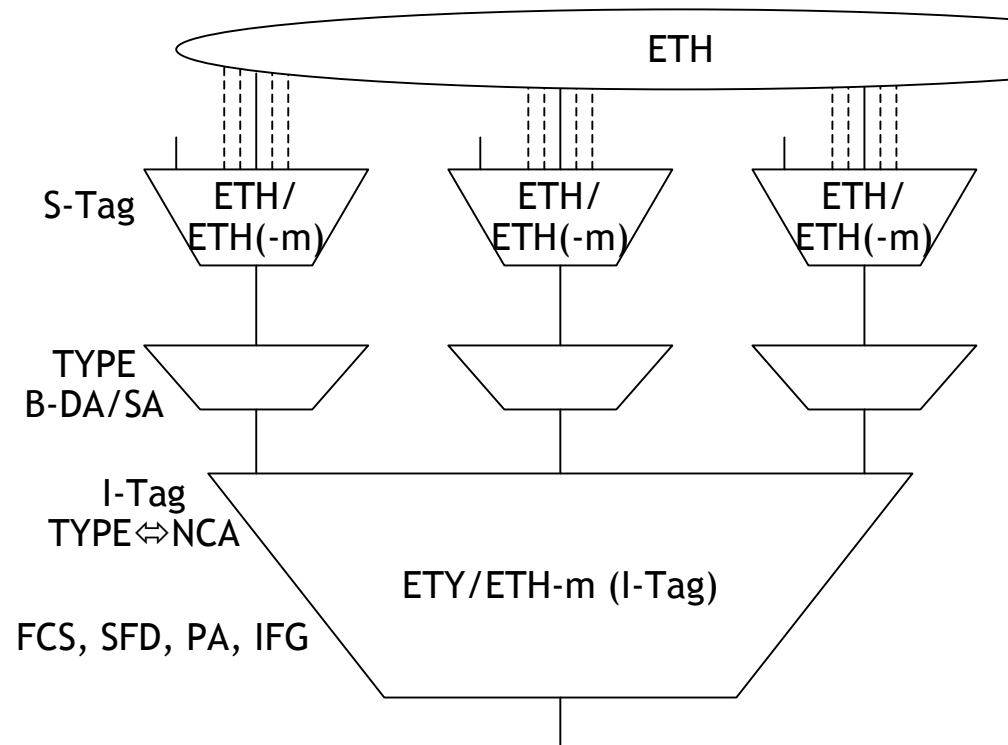
Maarten Vissers
November 2007

Decomposing PIP function

PIP function in 802.1ah



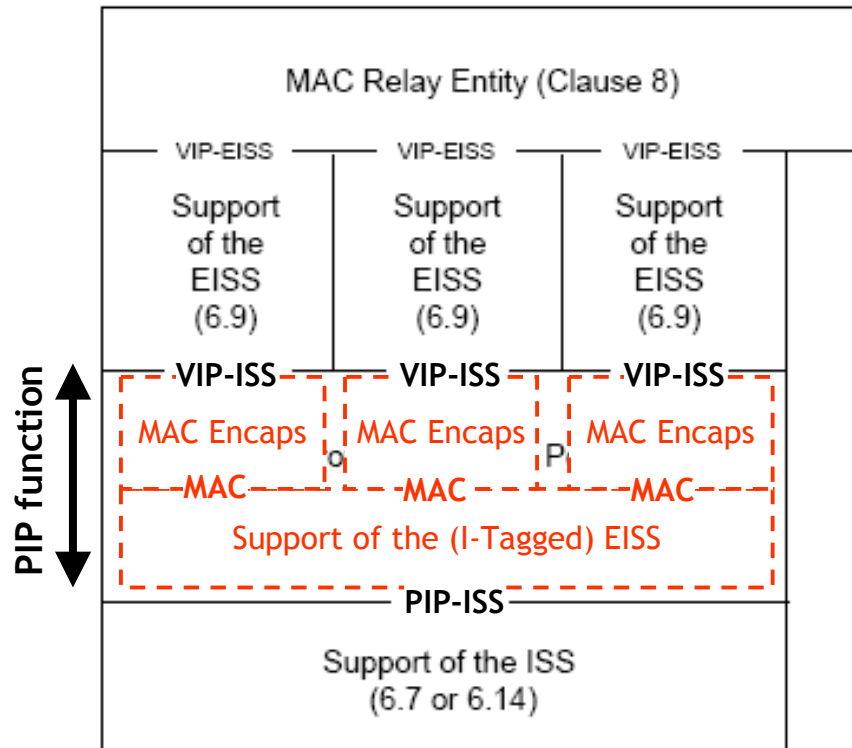
PIP function in G.8010/G.8021 format



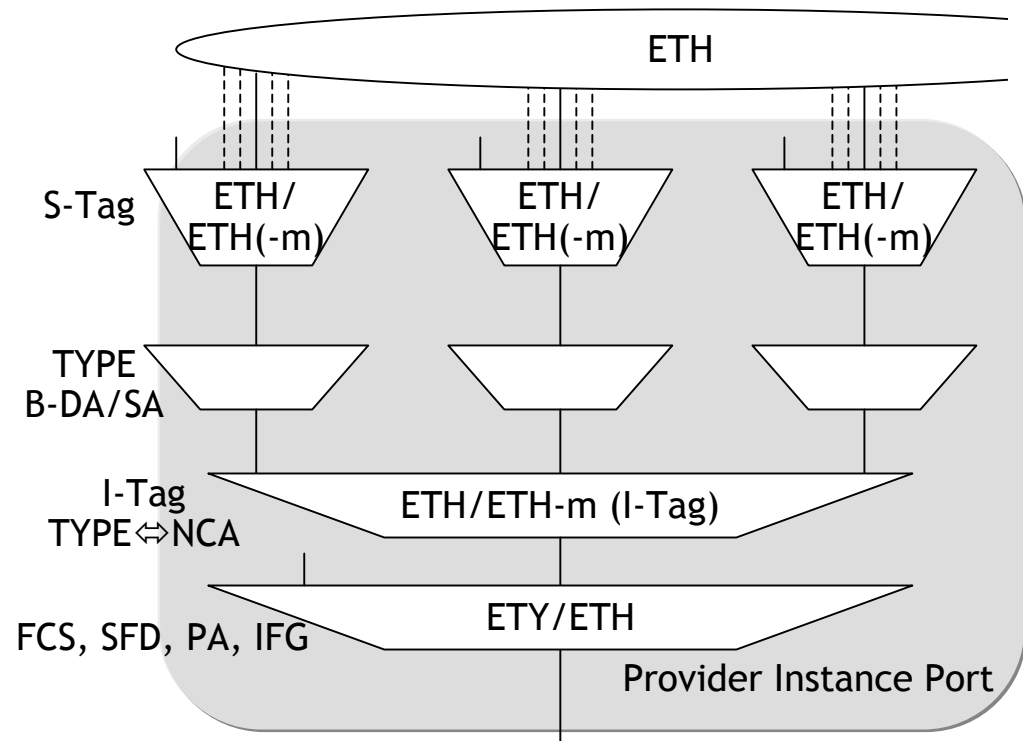
Decomposing PIP function

One individual address: PIP

PIP function in 802.1ah



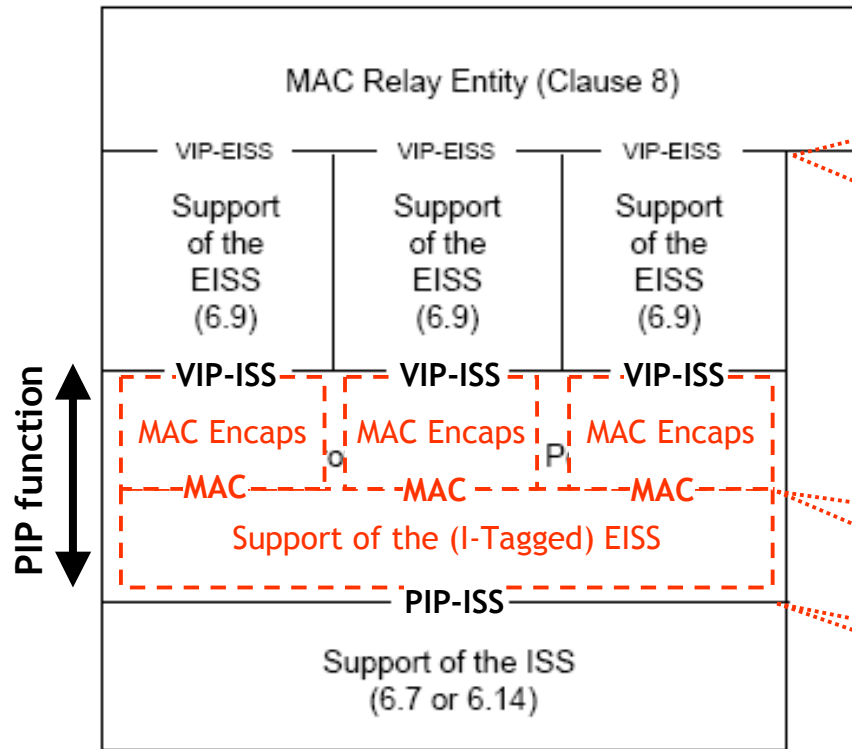
PIP function in G.8010/G.8021 format



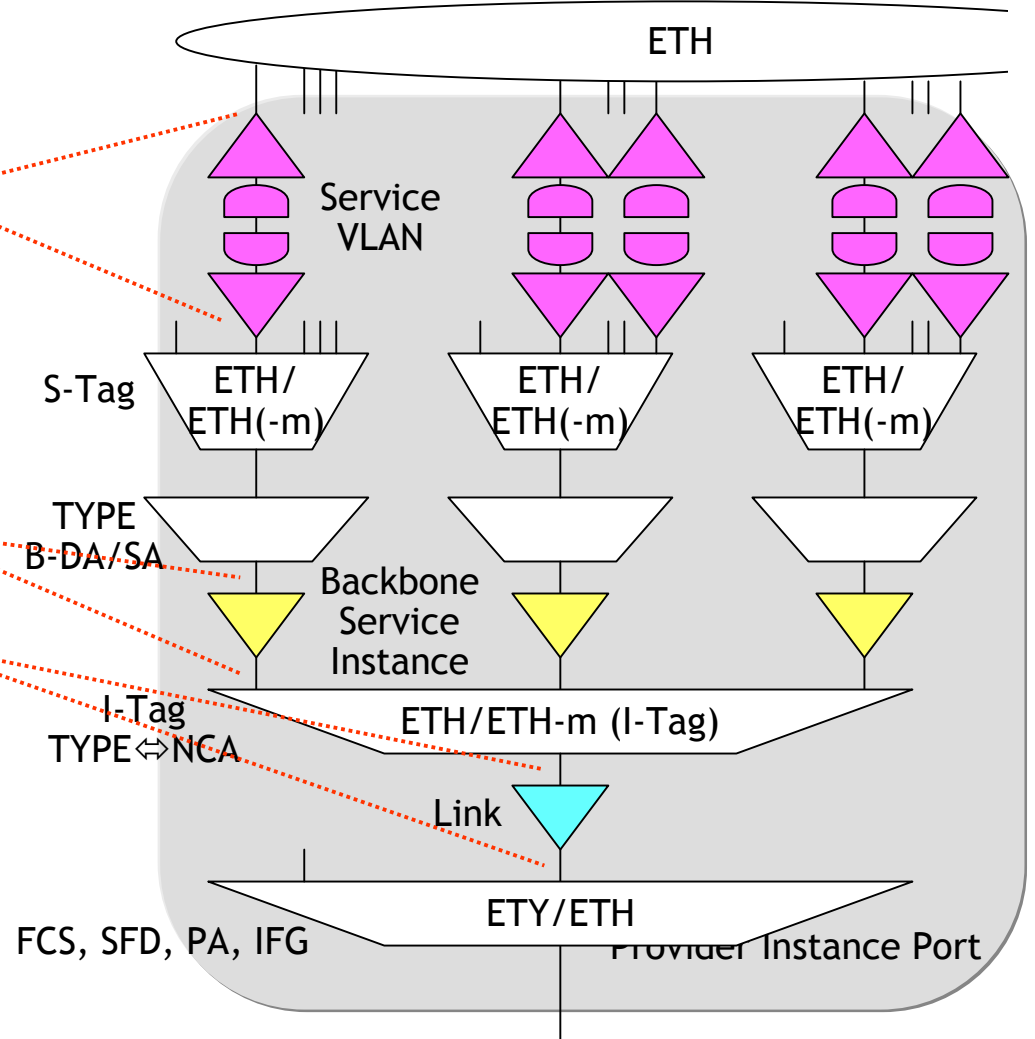
Decomposing PIP function

MEPs and MIPs

PIP function in 802.1ah



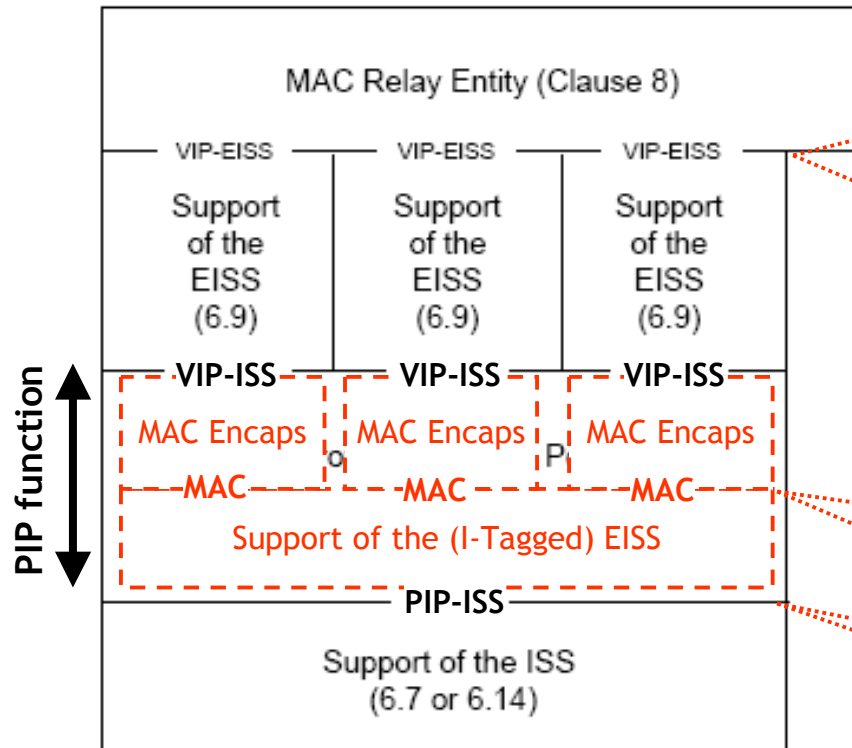
PIP function in G.8010/G.8021 format



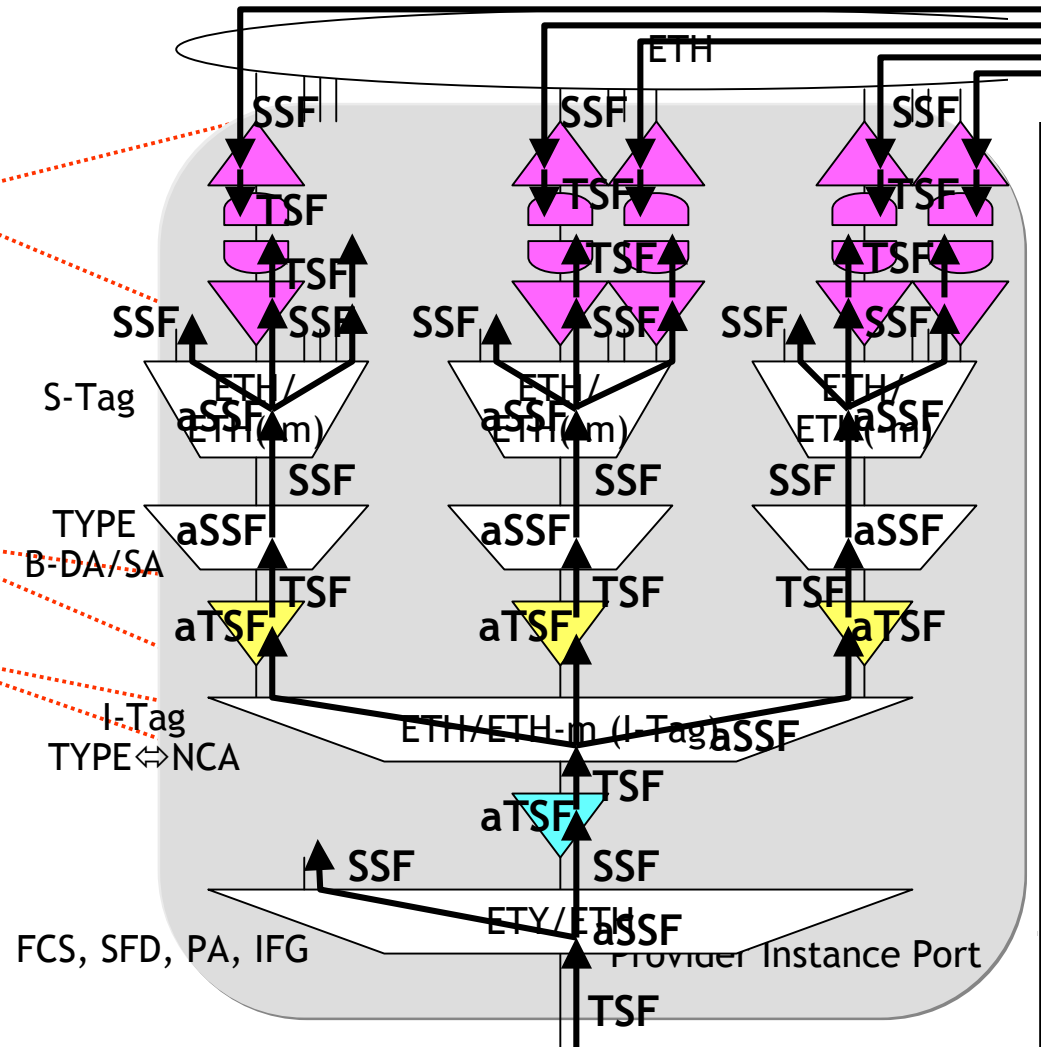
Decomposing PIP function

Alarm suppression using Signal Fail chain

PIP function in 802.1ah

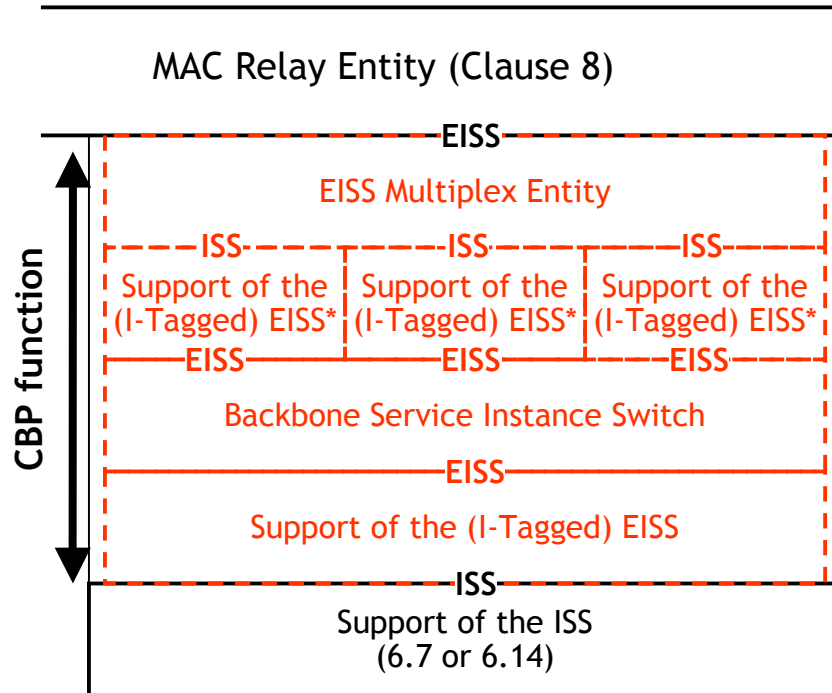


PIP function in G.8010/G.8021 format

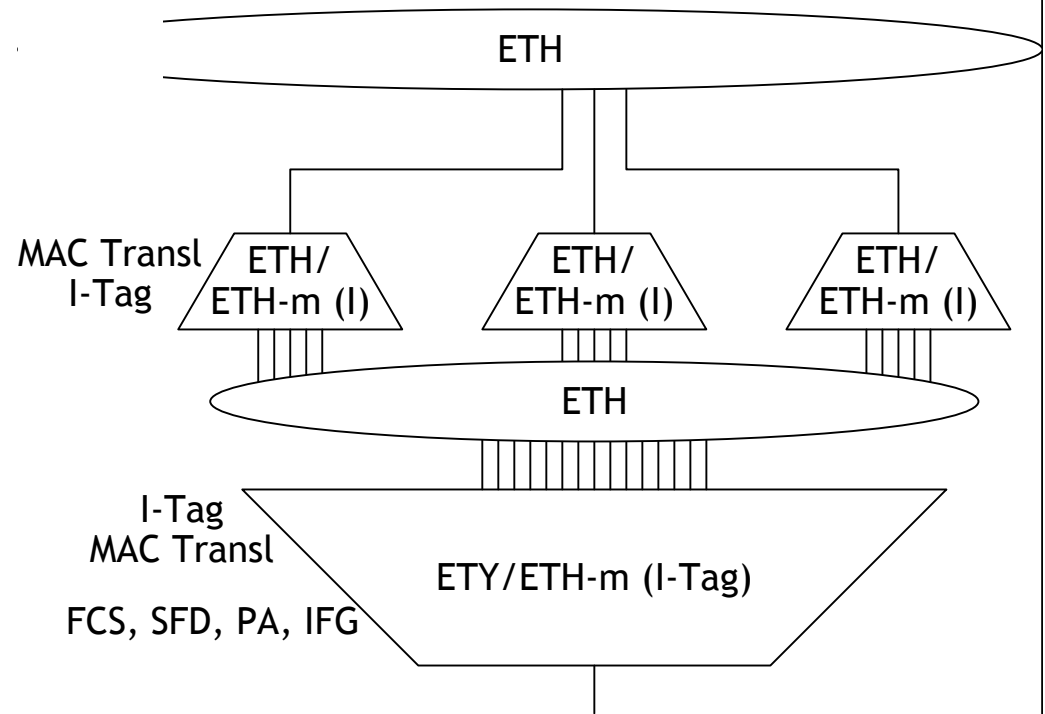


Decomposing CBP function

CBP function in 802.1ah



CBP function in G.8010/G.8021 format

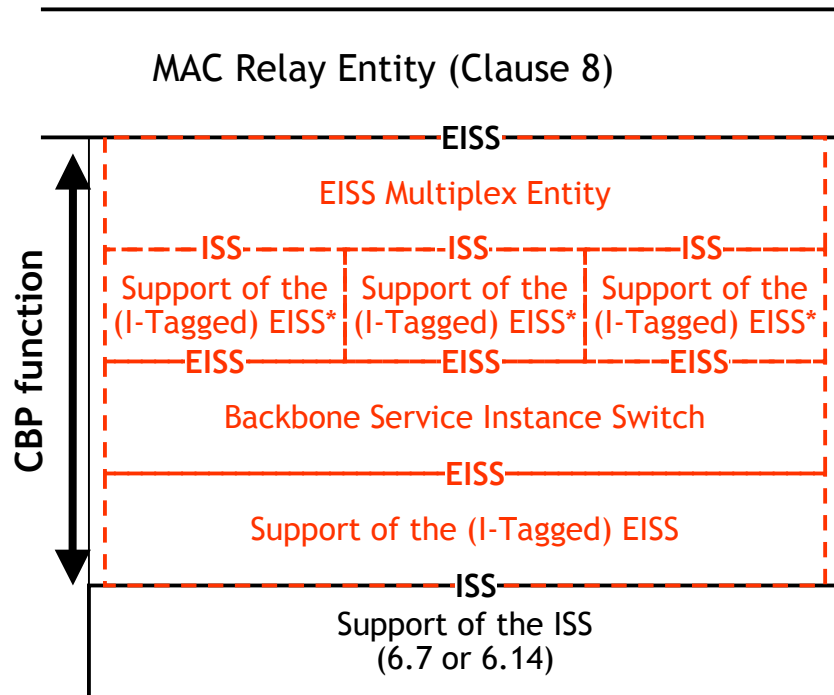


vlan_identifier
service_identifier

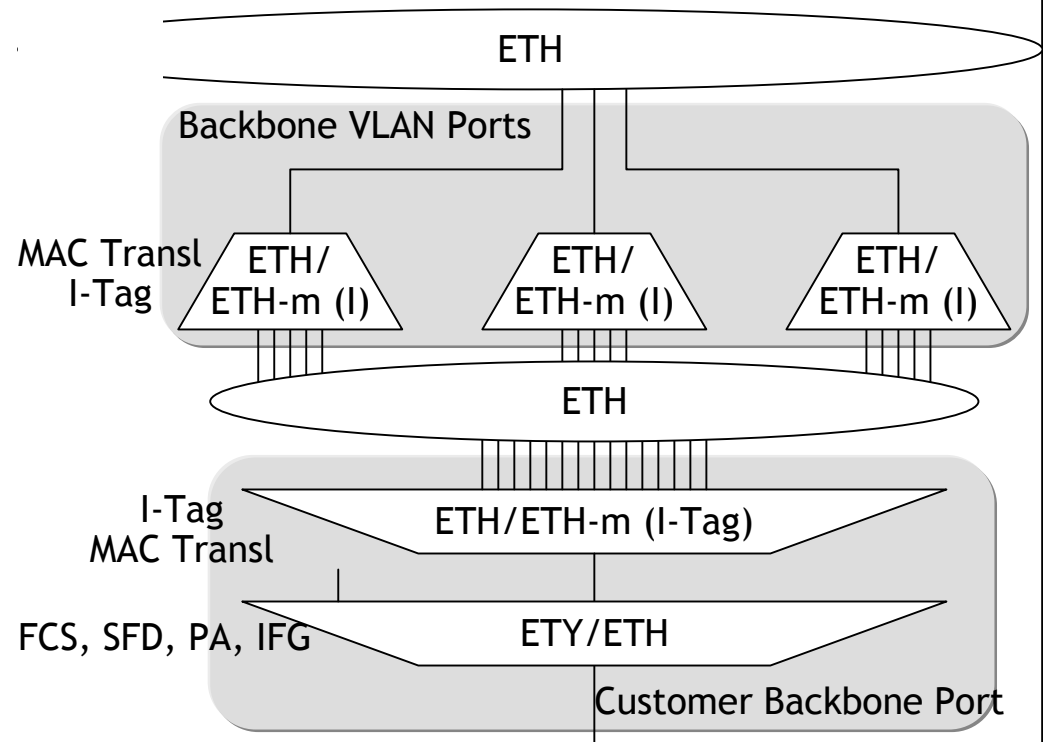
Decomposing CBP function

Two individual addresses: CBP and BVP

CBP function in 802.1ah



CBP function in G.8010/G.8021 format

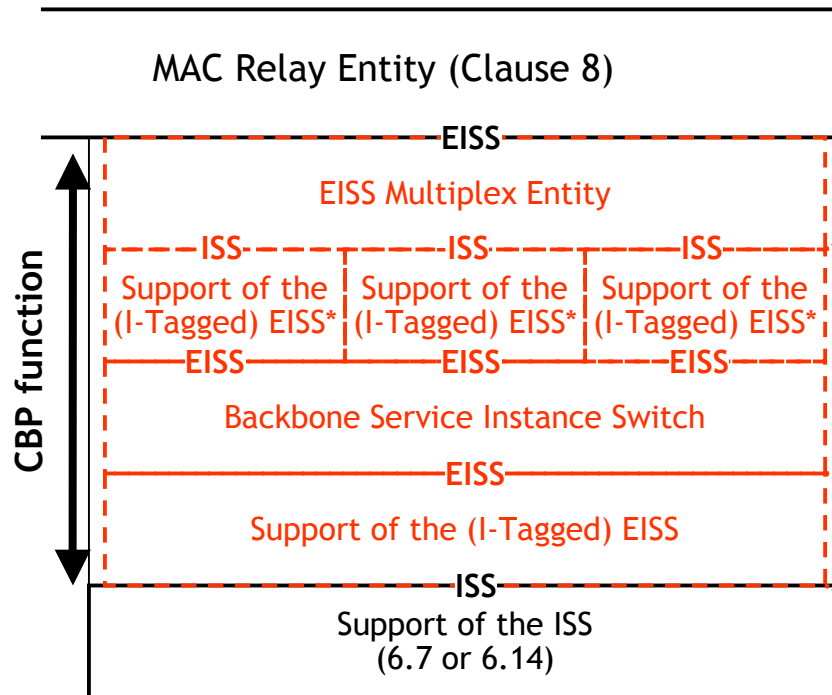


vlan_identifier
service_identifier

Decomposing CBP function

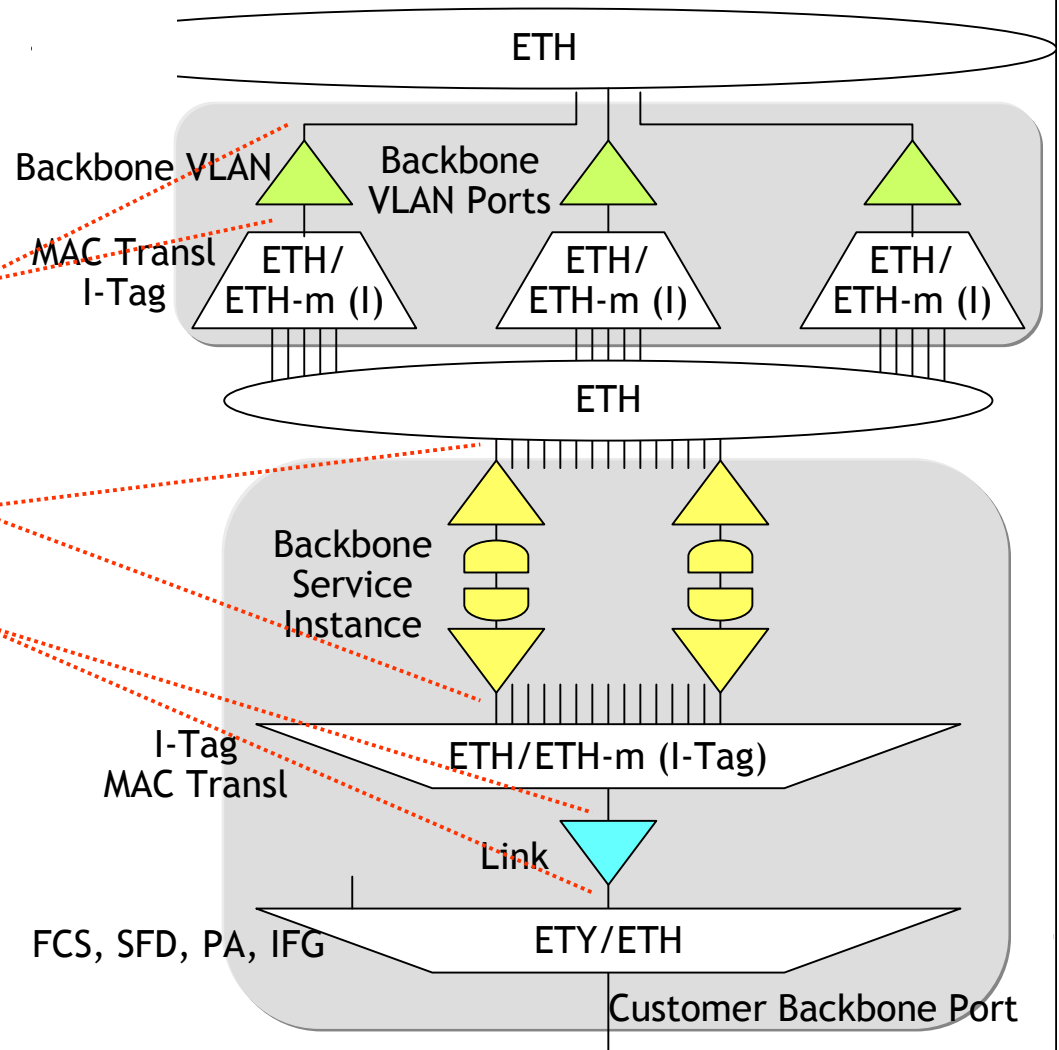
MEPs and MIPs

CBP function in 802.1ah



service_identifier
vlan_identifier

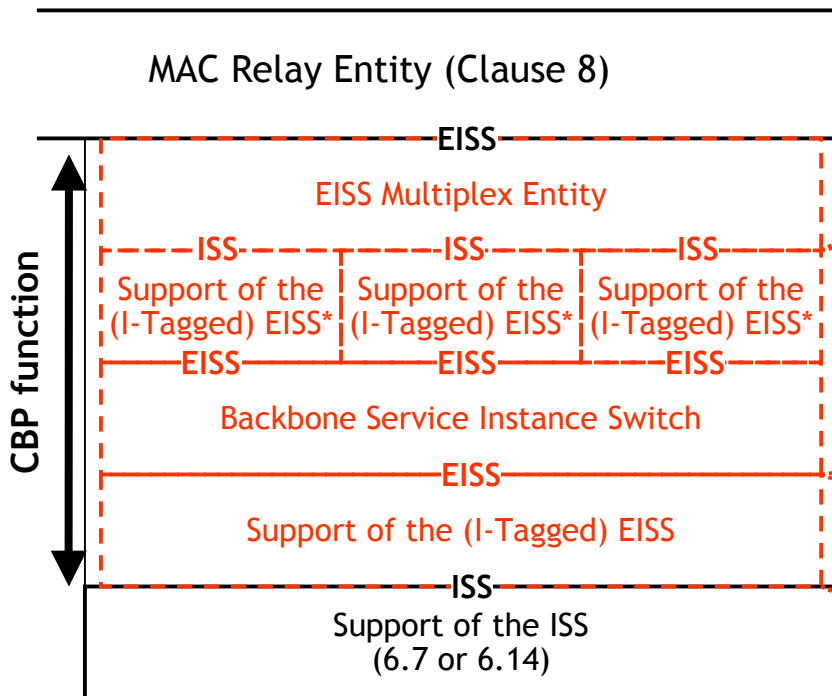
CBP function in G.8010/G.8021 format



Decomposing CBP function

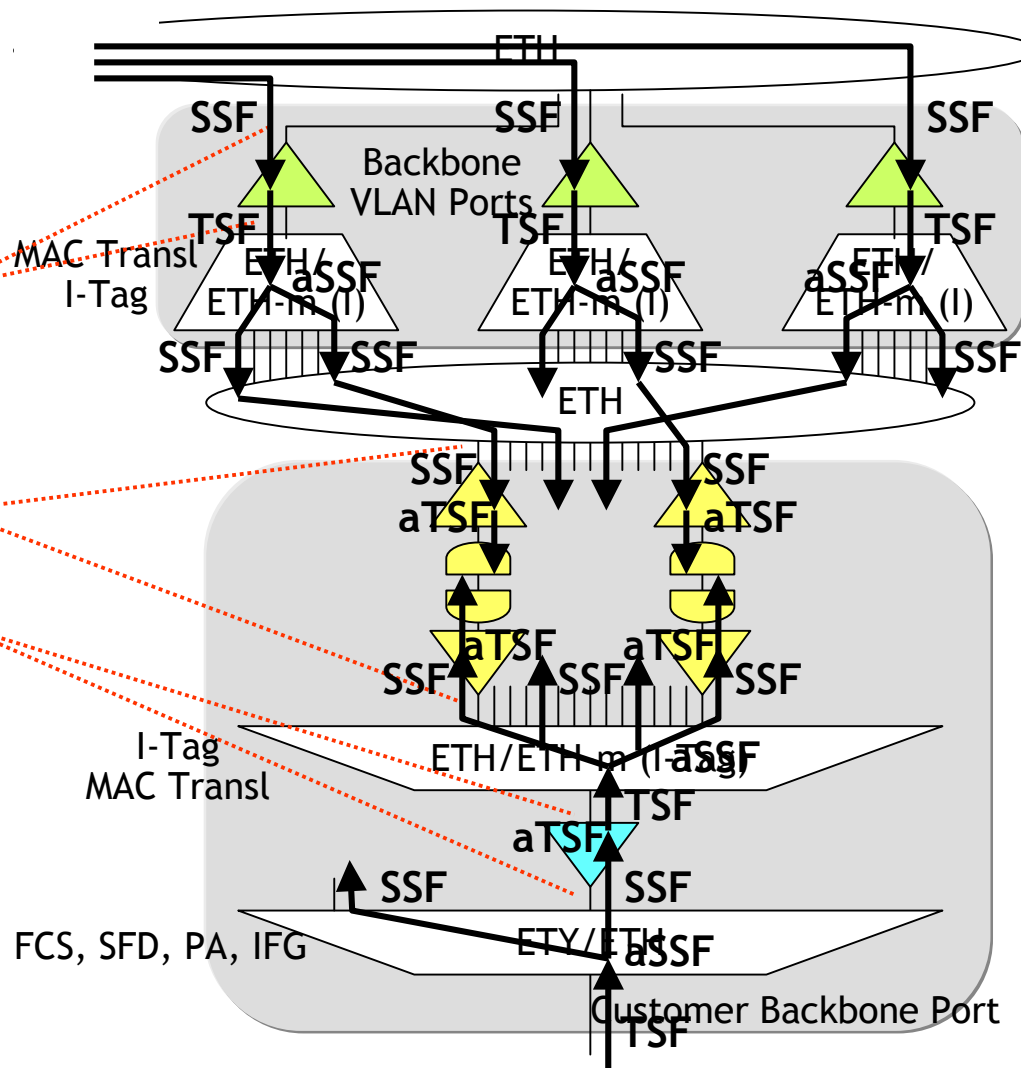
Alarm suppression using Signal Fail chain

CBP function in 802.1ah



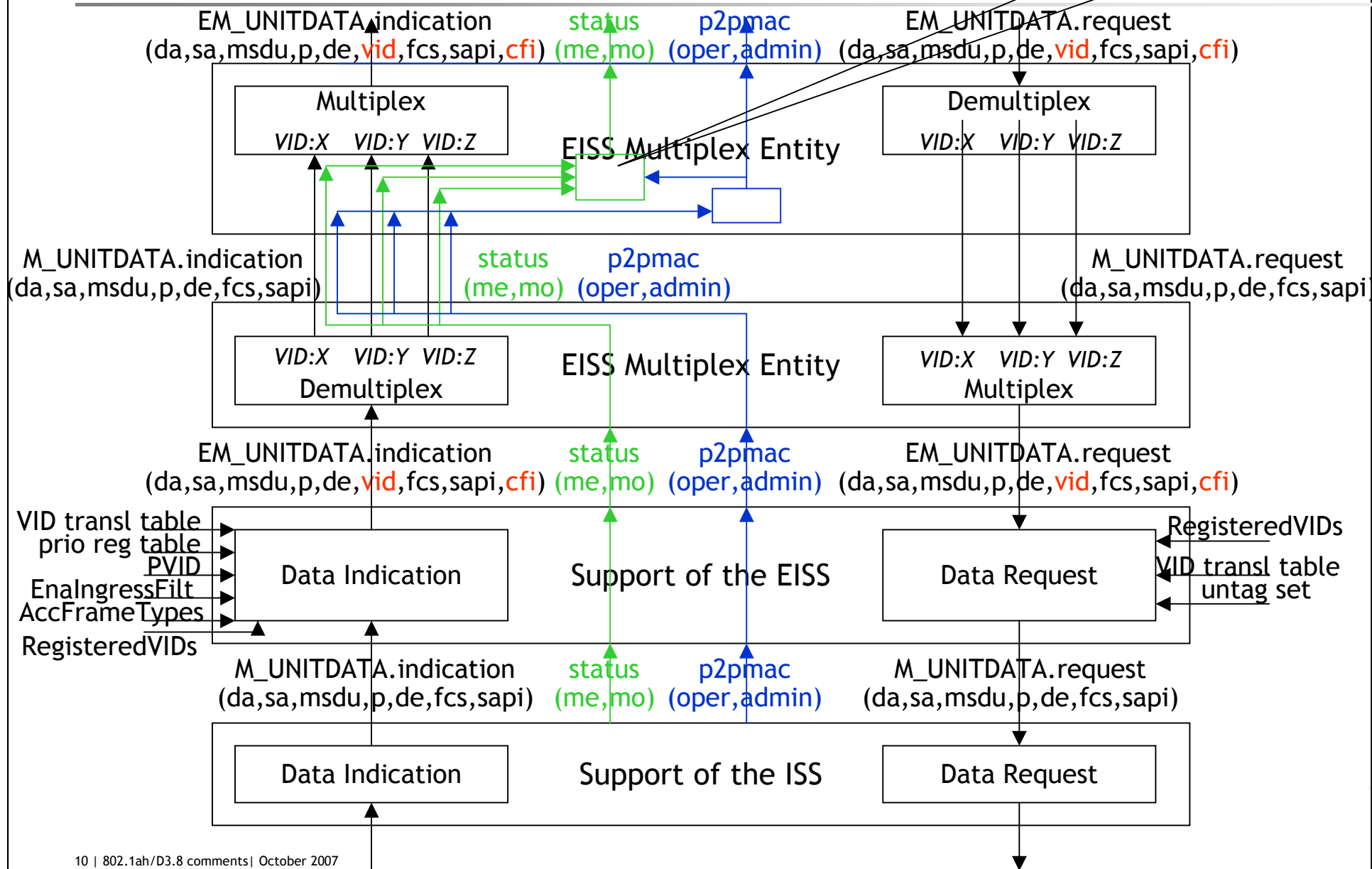
service_identifier
vlan_identifier

CBP function in G.8010/G.8021 format



MAC_Enabled and MAC_Operational Support of ISS, EISS, EISS Multiplex Entity

combining the individual
MAC_Operational signals
disables alarm
suppression capability



MAC_Enabled and MAC_Operational

Support of ISS, EISS, Backbone Service Multiplex Entity

