

A blurred photograph of a modern office hallway with large glass windows and a central revolving door. Several people in business attire are walking through the hallway, their figures slightly out of focus to convey a sense of movement and activity.

**SIEMENS**

Open Issues for a **Layer 2 Solution**

# CB information @ Layer 2

IEEE 802.3 Plenary Session – China

Marcel Kiessling, Siemens AG

Franz-Josef Goetz, Siemens AG

## Intention of this Slide Deck

The author would like to focus the future work on CB to the open technical questions.

Some technical aspects were already discussed and (most) of the TSN group members agreed on:

- CB is intended for seamless transmission of TSN streams
- Streams use a unique Stream Destination **MAC** Address
- Redundant Copies use a different VLAN ID
- A Sequence number must be included in every frame

This presentation is about **two essential open questions**:

- Where to put the Sequence number?
- How big must the Sequence number be?

# Agenda

## Recap: Basic principle and motivation of CB

- Motivation for CB
- Summary of the CB “history”
- Forwarding of redundant TSN Streams **in L2**

## Two essential open questions:

- **Right place** - Where to put the Sequence number?  
Known protocols with a similar feature (seamless redundancy)  
HSR/PRP/AFDX, Trailer vs. Tag
- **Right size** - How big must the Sequence number be?

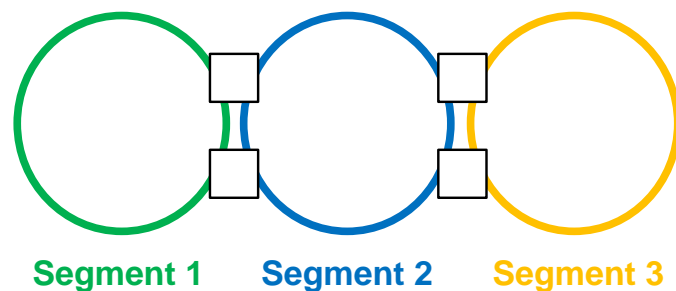
## Proposal for Redundancy Information

## Motivation for CB

### Industrial automation + Energy

#### “Segment protection”

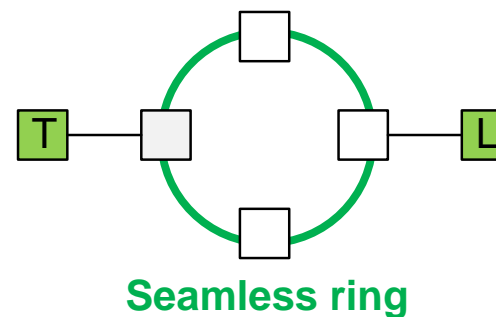
Seamless Coupling of multiple rings  
1 error per Segment



### Industrial Automation + Automotive

#### “Seamless Ring”

Simple Devices receive only 1 copy  
CB is a “network feature” and  
transparent for the devices



## IEEE

Usable for multiple applications in the LAN

**Standardized frame format** for the hardware

## Summary of the CB “history”

The intention of industry automation and automotive is still to **get a layer 2 solution.**

<http://www.ieee802.org/1/files/public/docs2014/tsn-jochim-L2-3-and-8021CB-0305-v1.pdf>

Multiple reasons for this were discussed multiple times in the past:

- Solutions for Layer 2 are existence (but not standardized in IEEE)
- 802 is focused on Layer 2
- AVB introduced Layer 2 mechanisms
- Layer 3 is not used in the intended environment
- focus for time and safety critical applications is Layer 2
- Cost-sensitivity of the solution
- ...

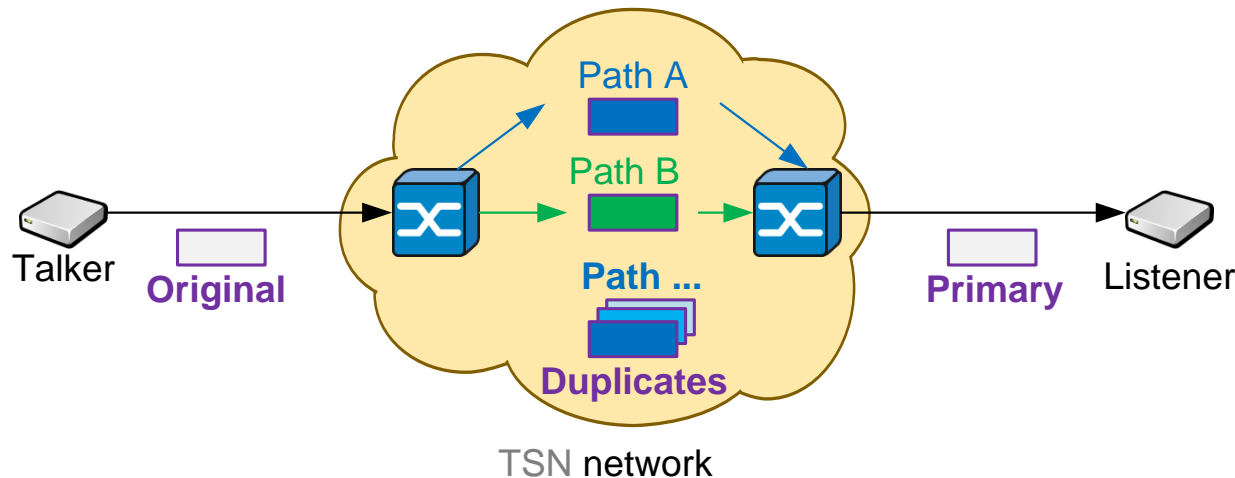
**Summary of the Layer 2 vs. Layer 3 discussion:**

<http://www.ieee802.org/1/files/public/docs2013/new-tsn-jochim-seamless-redundancy-discussion-0313-v1.pdf>

# Recap: Principle operation of CB Frame Replication and Elimination for Reliability

Basic CB principle:

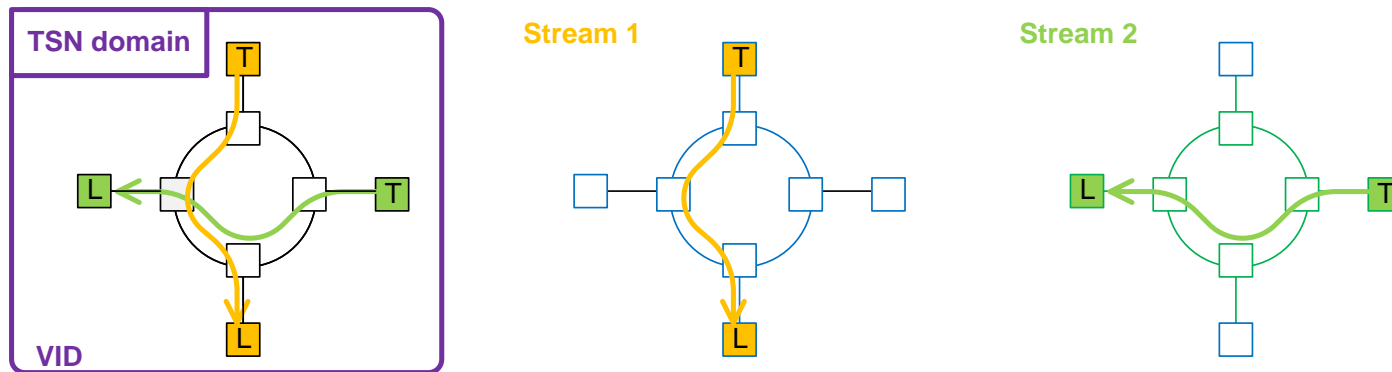
1. Every frame of a redundant Stream has a **sequence number** to be able to identify **Duplicates**
2. Duplicates are forwarded in the network on multiple (most-) disjoint paths
3. Duplicates are eliminated at a Duplicate Elimination Point



The focus of this presentation is  
**the right place and size of the sequence number**

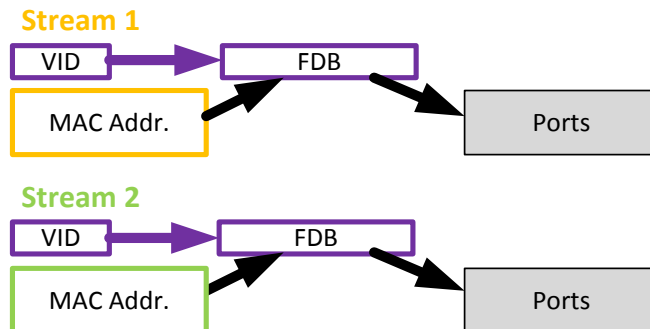
# Forwarding process of TSN Streams

The forwarding decision is defined by VLAN + **Stream Destination MAC Adr.** in the FDB



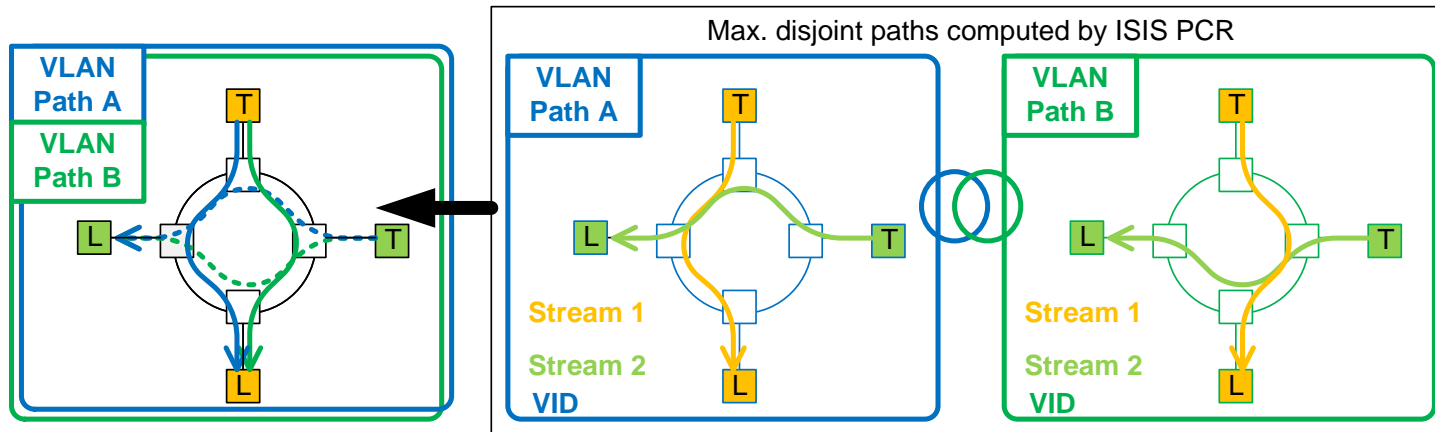
Forwarding path based on active topology defined by RSTP for **TSN VLAN**

VLAN classification defines the Filtering Instance – VID -> VLAN -> FID



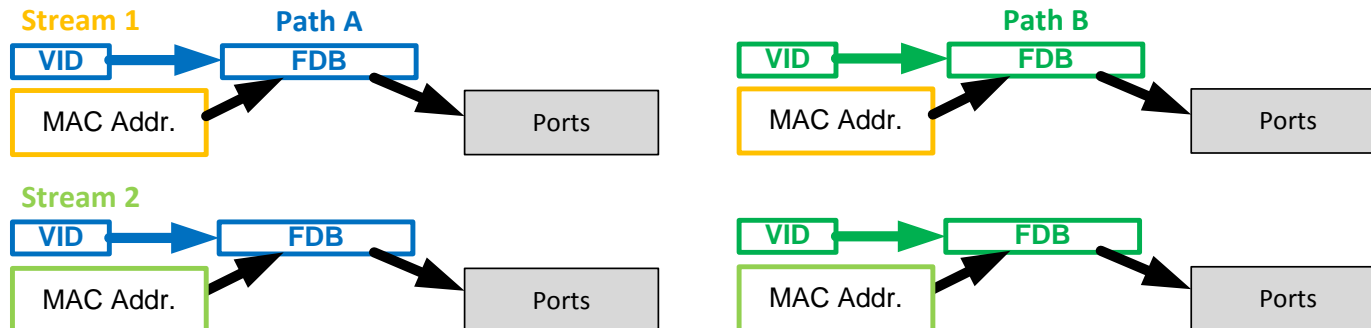
# Forwarding process of **redundant** TSN Streams

The forwarding decision is defined by **VLAN + Stream Destination MAC Adr.** in the FDB



Disjoint Forwarding paths defined by ISIS PCR in **VLAN A and VLAN B**

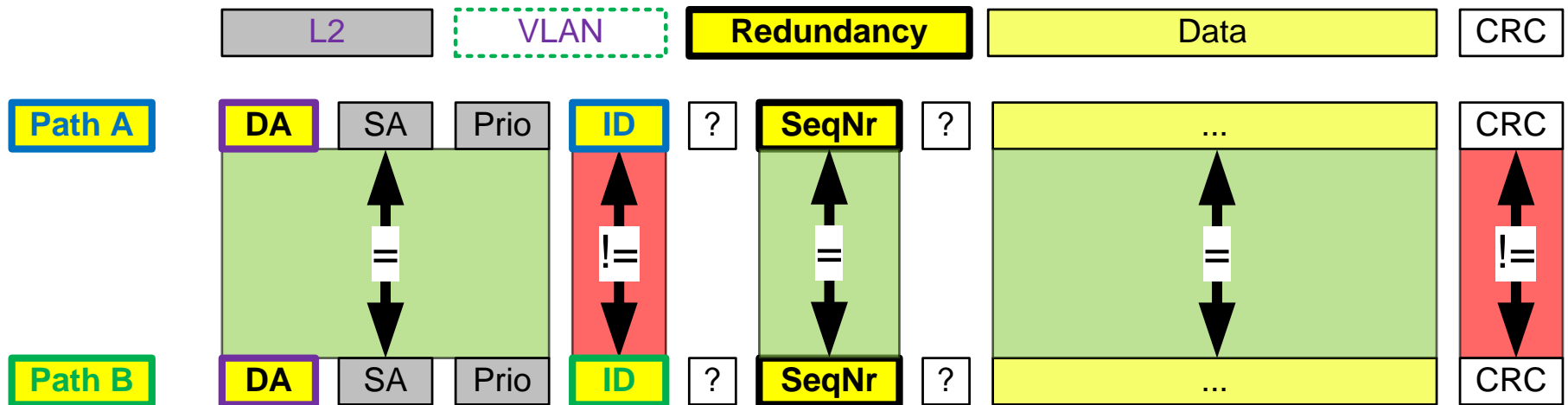
VLAN classification defines the Filtering Instance (VID -> "VLAN" -> FID)





# CB Information for Duplicate Elimination

CB combines the Stream DA (identify the stream) and the Sequence number (SeqNr – identify the duplicate) to identify duplicates for duplicate Elimination



# Agenda

## Recap: Basic principle and motivation of CB

- Motivation for CB
- Summary of the CB “history”
- Forwarding of redundant TSN Streams in L2

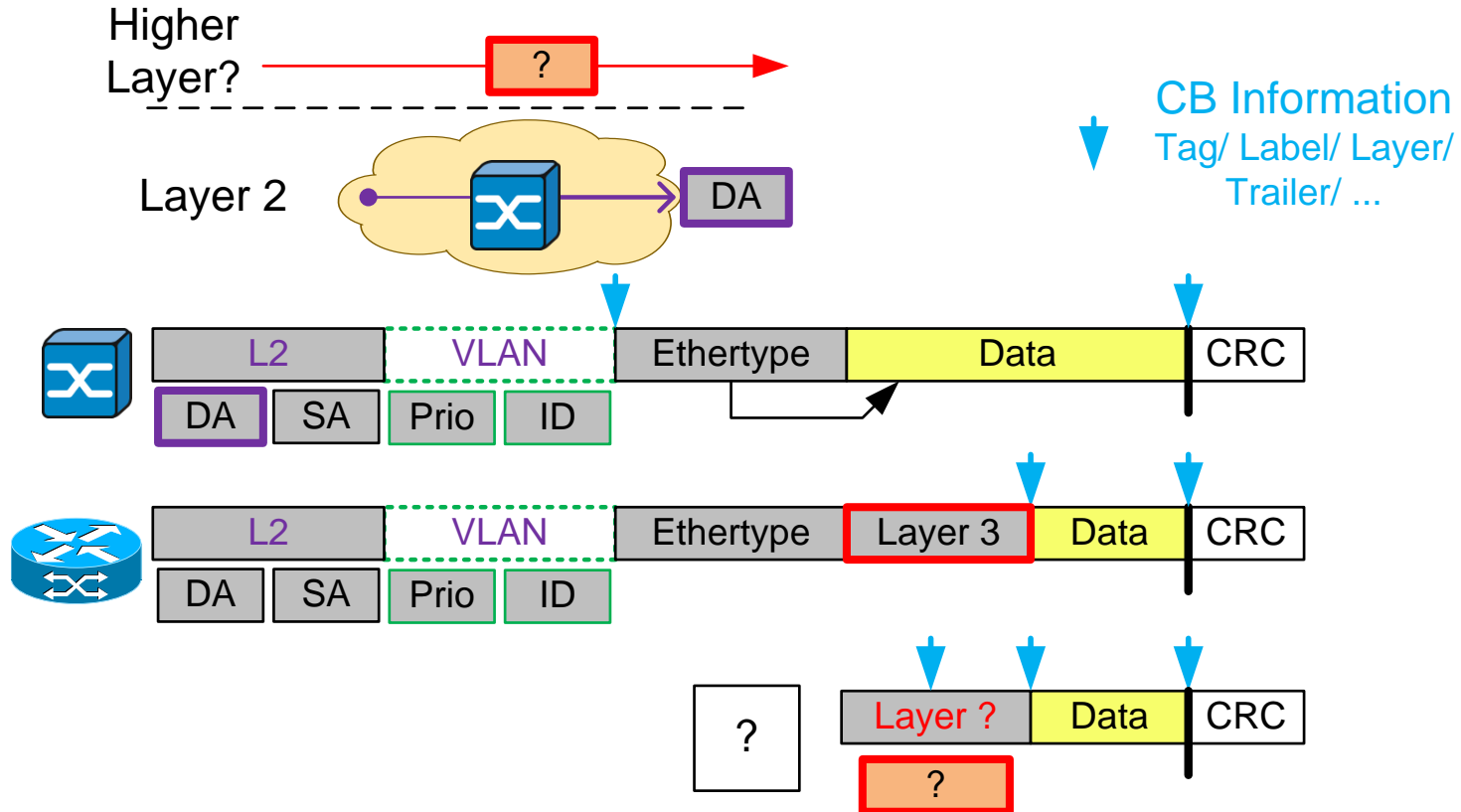
## Two essential open questions:

- **Right place** - Where to put the Sequence number?  
Known protocols with a similar feature (seamless redundancy)  
HSR/PRP/AFDX, Trailer vs. Tag
- **Right size** - How big must the Sequence number be?

## Proposal for Redundancy Information

# The **right place** for the sequence number?

Multiple places for the CB sequence number are possible:



Main Goal: **no layer violation for Layer 2 solution**

IEEE bridging model uses **TAGs** to identify the next “protocol” / function in the frame

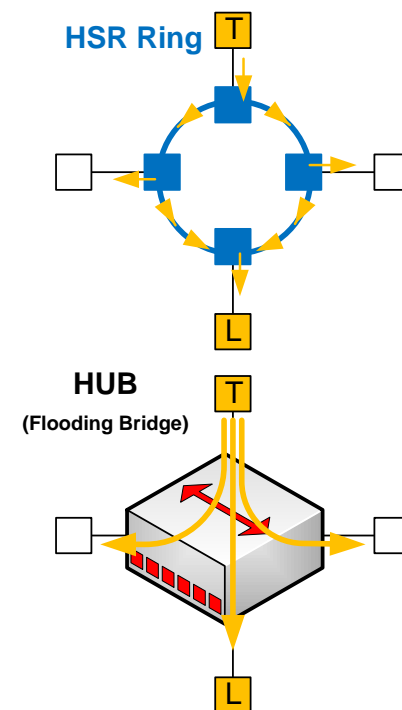
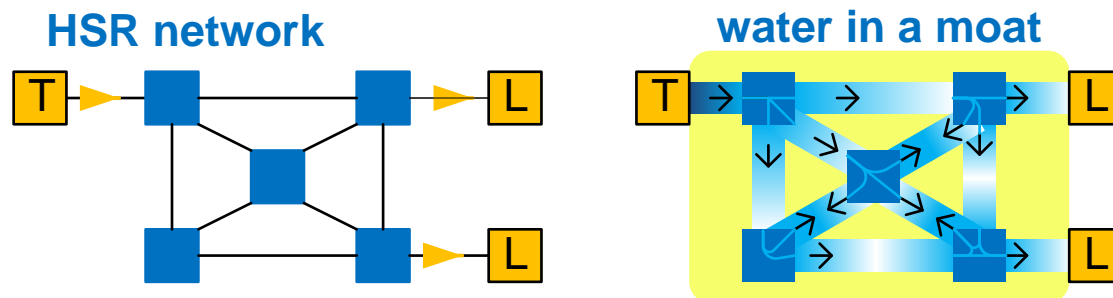
# IEC 62439-2 HSR Forwarding

Basic principle:

- **redundant ring** without recovery times
- Open for usage from all protocols  
Applications with fixed DA e.g. ARP

Like a hub (flooding bridge) with duplicate filtering mechanism, flooding limited by using a non – IEEE FDB for the ring ports

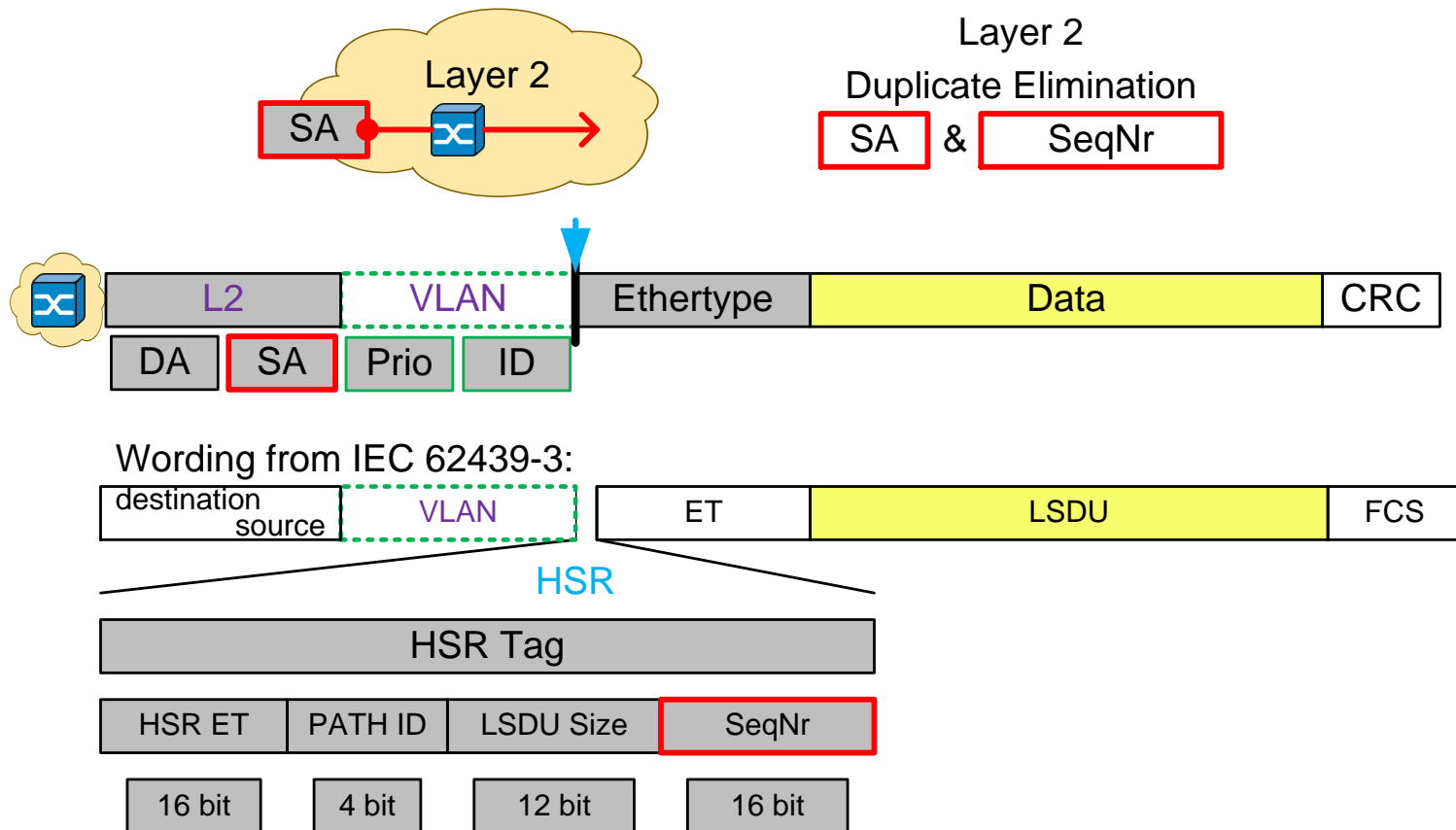
Forwarding is similar like water in a moat



# IEC 62439-2 HSR Tag

HSR defines a new “Layer 2” Tag.

Layer 2 forwarding is used (but Layer 3 information is shifted!)

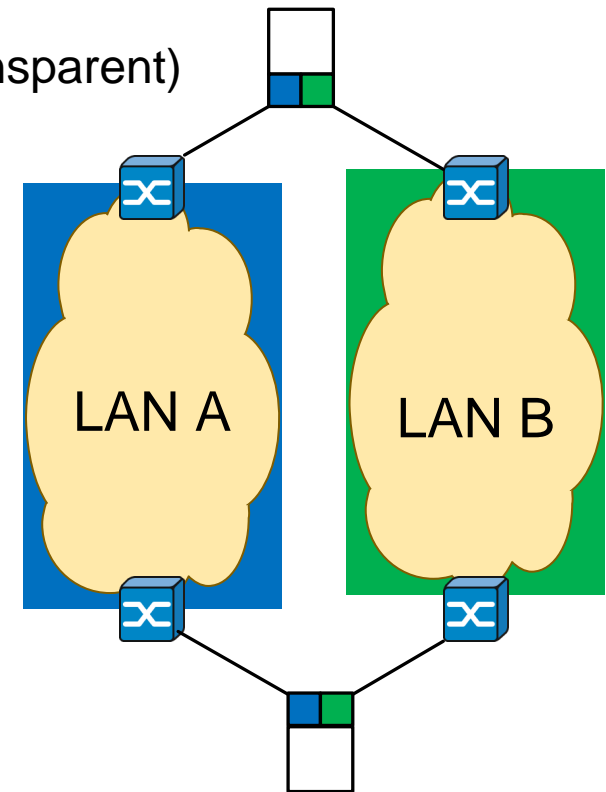


# IEC 62439-2 PRP Forwarding

Basic principle:

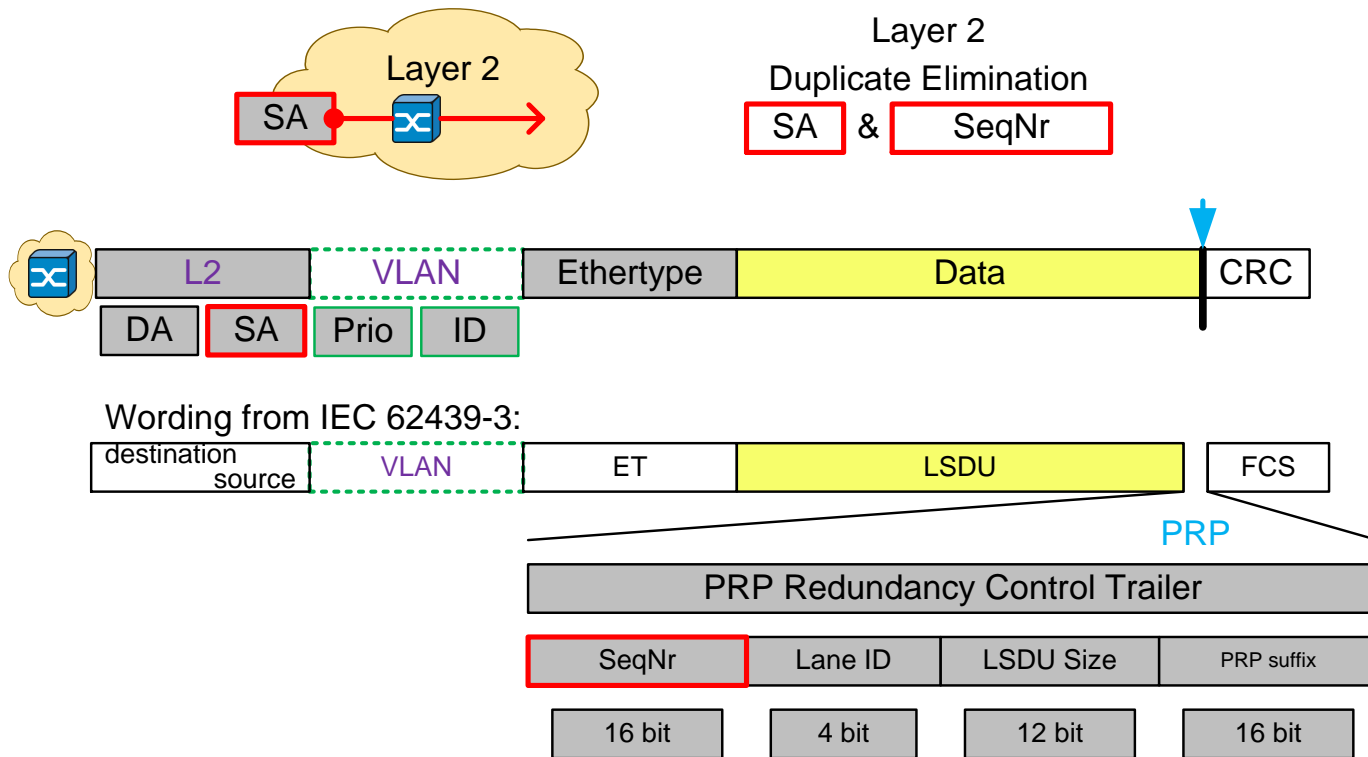
- duplicate networks without recovery times
- should work without change of applications (transparent)
- **physically** separated IEEE networks required

Forwarding of the trailer like application data  
Trailer to prevent the change of other  
protocols / applications



# IEC 62439-2 PRP Trailer

PRP identifies duplicates using the source address!  
 TSN Streams use a destination address per Stream  
 LSDU size to ensure that a trailer is in the frame



## AFDX – ARNIC 664 part 7

Each frame uses a 1 byte Sequence Number, which is positioned just before the FCS of the frame. + Plausibility check (+1 and +2 accepted!)

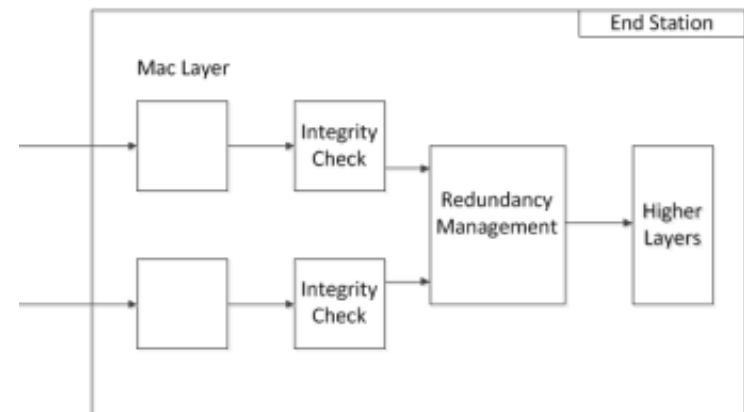
1-255 Sequence +  
0 Reset – Trigger!

Virtual Links are similar to Streams

Periodic transmission: BAG (bandwidth allocation Gap)  $\approx$  Period  
Maximal Frame size: Lmax  $\approx$  max. Frame size

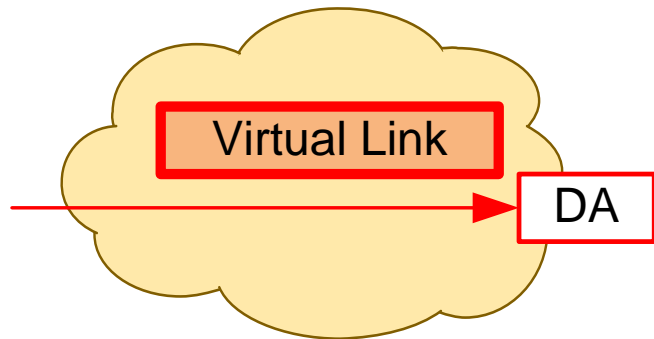
**Source Address** used to identify Network A/B  
**Destination Address** with 16-bit VL identifier

2 physically separated networks (like PRP)



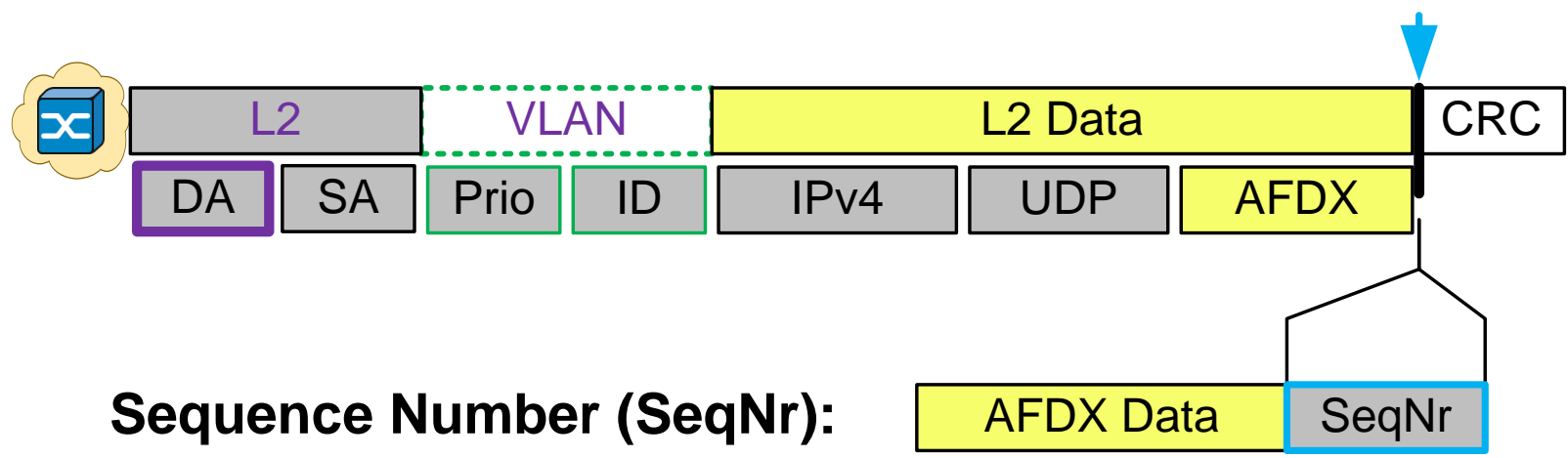


# AFDX – ARNIC 664 part 7



Lmax  $\longleftrightarrow$  Tspec Max. Frame size  
 BAG  $\longleftrightarrow$  Frames/Class-Intervall

AFDX Trailer



**Sequence Number (SeqNr):**

0 RESET

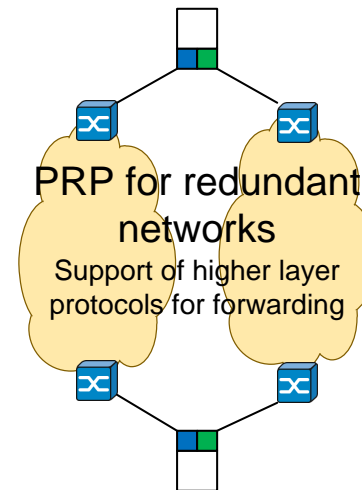
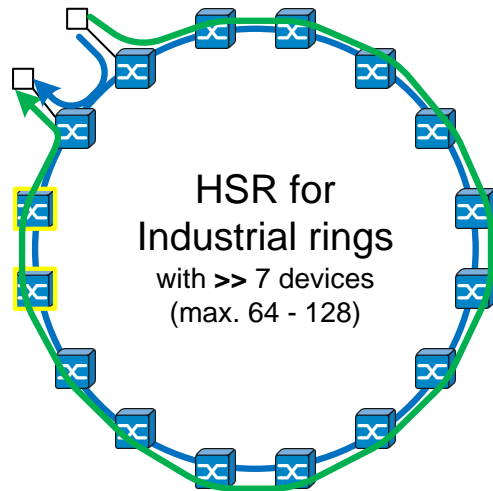
1-255 duplicate elimination

<http://application-notes.digchip.com/056/56-39808.pdf>


# PRP vs. HSR

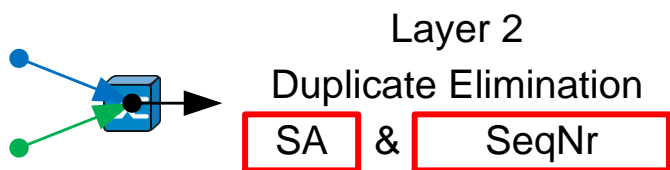
HSR defines a Tag, PRP uses a trailer to transport the sequence number.

- HSR is optimized for single **HSR** networks (rings)
- PRP can work in arbitrary **physical separated** "IEEE" networks (typ. red. Stars)

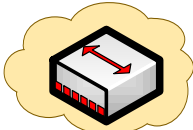
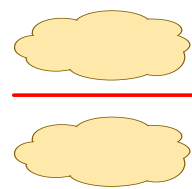
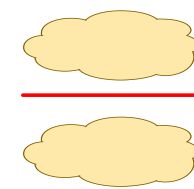



•  → forwarding in the L2 network (ring) => Tag

•  → forwarding in unknown network => Trailer



# HSR, PRP and AFDX redundancy compared

	<b>HSR</b>	<b>PRP</b>	<b>AFDX</b>	<b>CB</b>
Path ID	Tag	Trailer	Trailer	<i>Tag</i>
SeqNr	16-bit SA	16-bit SA	8-bit <b>Virtual Link</b>	24 bit <b>Stream</b>
Additional	Size of Data	Size of Data	Plausibility Check 0 = Reset	<i>All?</i>
Serialization	-	-	+	+
networks				
scope	Industry / Energy		aerospace	VLANs IEEE

# Agenda

## Recap: Basic principle and motivation of CB

- Motivation for CB
- Summary of the CB “history”
- Forwarding of redundant TSN Streams **in L2**

## Two essential open questions:

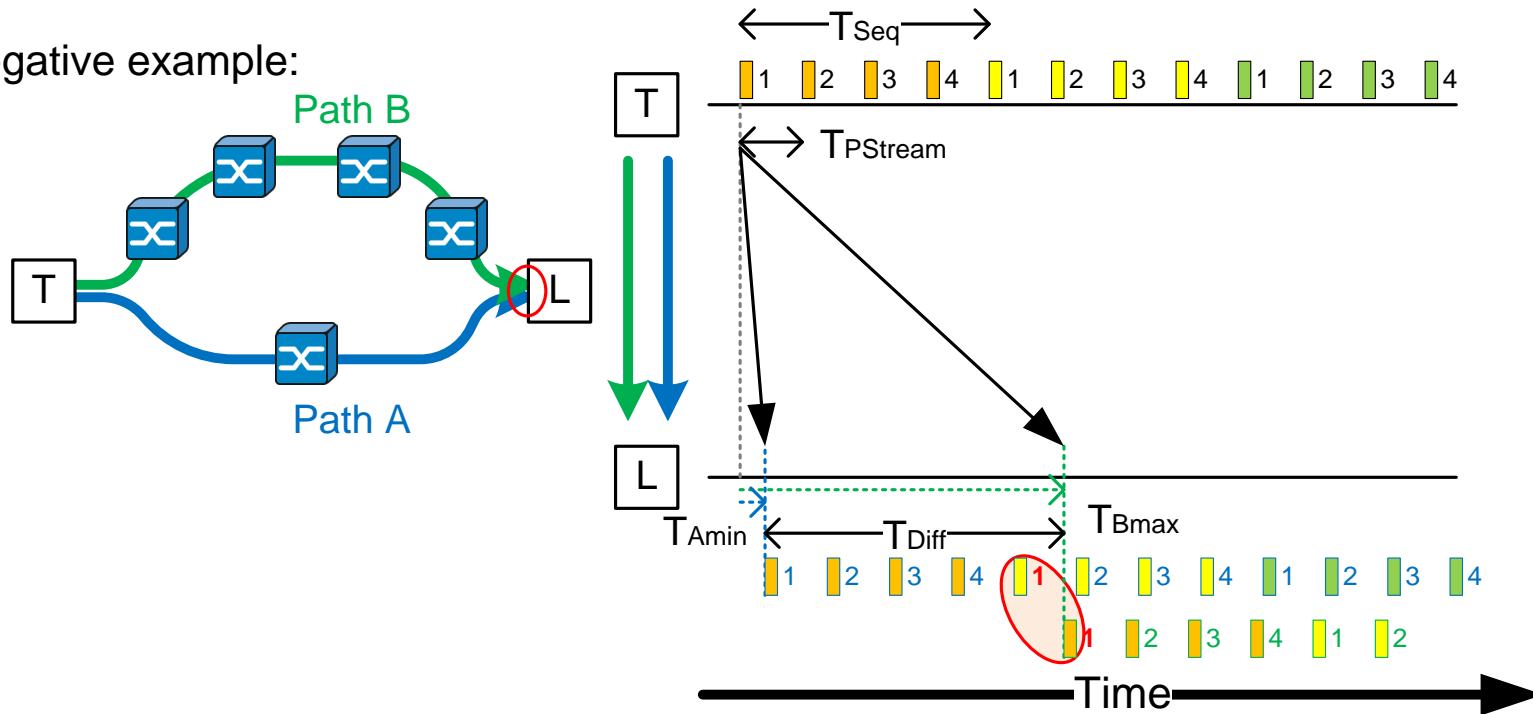
- **Right place** - Where to put the Sequence number?  
Known protocols with a similar feature (seamless redundancy)  
HSR/PRP/AFDX, Trailer vs. Tag
- **Right size** - How big must the Sequence number be?

## Proposal for Redundancy Information

# The right size of the Sequence number?

Ensure that the sequence number belongs to the same information

Negative example:



$T_{Seq}$ : Needed time until the Sequence number restarts / overflows

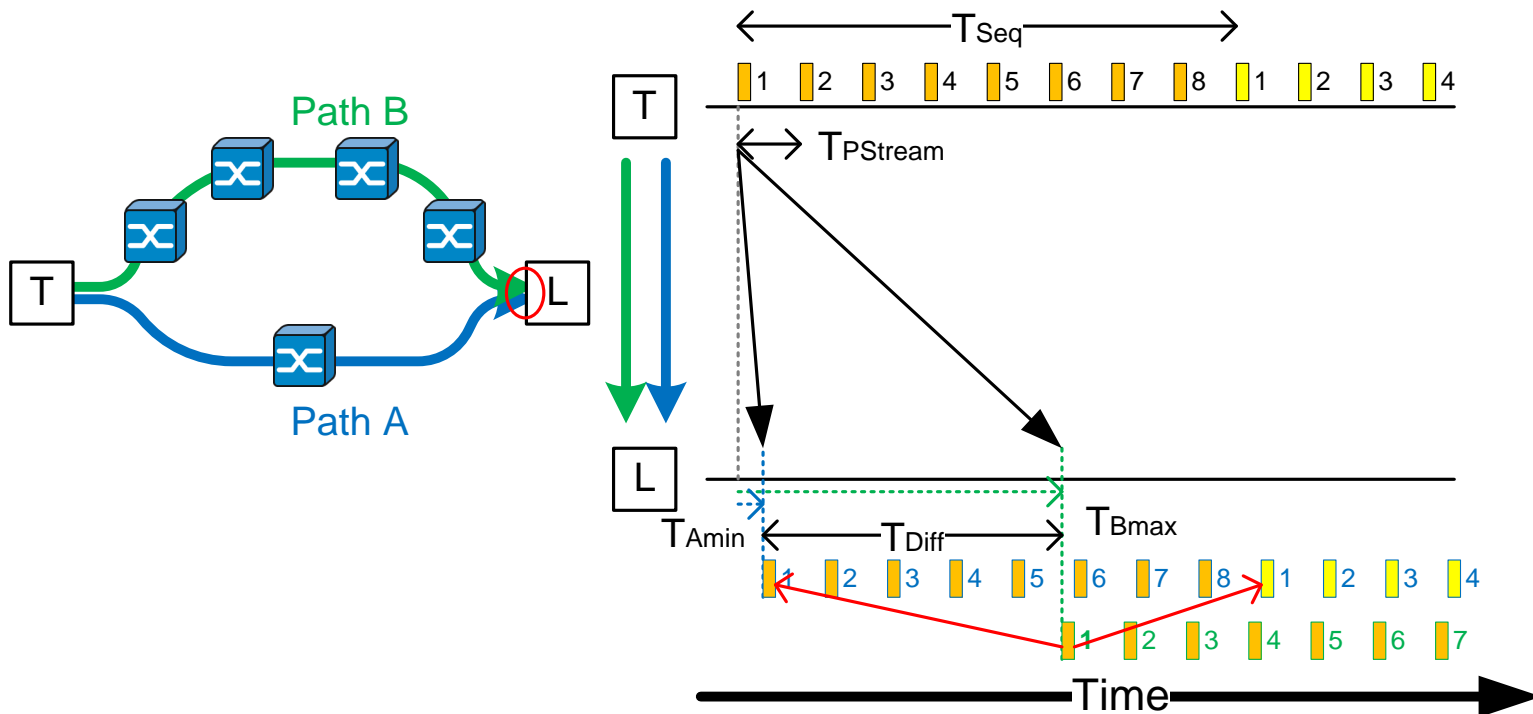
$T_{Diff}$ : Maximal difference between both paths

$T_{xmin}$ : Minimal path delay on path X

$T_{xmax}$ : Maximal path delay on path X

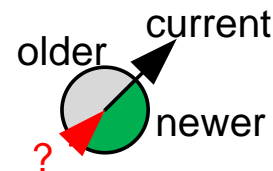
# The right size of the Sequence number?

Ensure that the sequence number belongs to the same information  
 and identify the right sequence of the information



Acceptance – Window for newest information

Assumption: Sequence Number \* 2 + 1:



# The right size of the Sequence number for TSN Streams?

Assumptions from the AVB definition:

- Max. AVB transmission rate must be supported  
(16-bit number for frames per Transmission period)
- Max. delay difference between Path A and B must be supported (AVB:  $T_{Diff}$ : 50 ms)  
( $T_{Xmax}$  = 50 ms for Class B ( $A = 2ms$ ) -  $T_{Xmin} = \sim 0$  for worst case)

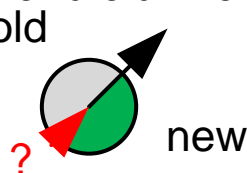
This leads to the minimum size:

**Class B:** 16 bit ( $T_{spec}$ ) + 8 ( $50ms/250\mu s = 200 \Rightarrow 8 \text{ bit} - 256 = 2^8$ )  
-> Combined 24 bit  
with simple Assumption:  $SeqNr * 2 + 1$ : **25 bit**

## Assumptions for CB Streams?

### What are the assumptions for CB?

- **Latency Difference** on Stream transmission paths?  
Maximal Difference between two paths is important
- Stream Transmission period for CB Streams (TP<sub>Stream</sub>) ?  
A Class A stream can nearly send every **1.9 ns** a frame (considering the Tspec definition)  
This is nearly ~6 Tb/s with max. size frames – ~250 Gb/s with shortest frames
- How big must the “Gap” between new and old information be?  
Acceptance of new information  
Discard of old information



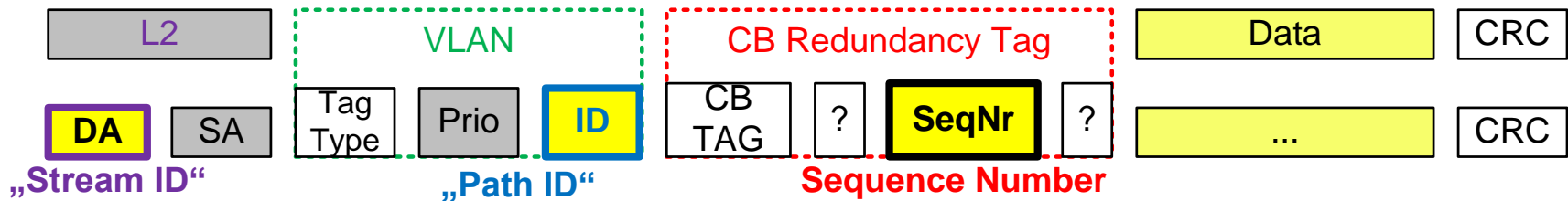
This assumptions influence the size of the Sequence number



## Summary

### Right place - Where to put the Sequence number?

As a common practice in IEEE: **Use a TAG**



New Tag Type for the CB tag needed:

- 81-00 -> Customer VLAN Tag
- 88-a8 Service / Backbone VLAN Tag
- 88-e7 Backbone Service Instance Tag
- TDB CB Redundancy Tag**

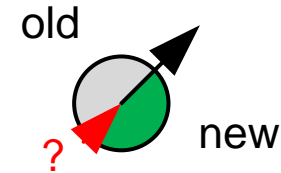
## Summary

### Right size - How big must the Sequence number be?

- Depending on the **assumptions** of CB flows / streams:

Stream Transmission period

Maximum Latency difference



Main Goal of 802.1 CB is to get a Layer 2 for seamless redundancy.

But, what is important for the Compatibility with other protocols?

- Stream Transmission Period & Maximum Latency Difference

The right assumptions for CB ensure the compatibility / usability!

**Thank you for your attention!**



**Marcel Kießling**

I IA SC CI TI

Gleiwitzer Str. 555

90475 Nürnberg

Phone: +49 (911) 895-3888

E-Mail:

[kiessling.marcel@siemens.com](mailto:kiessling.marcel@siemens.com)

**[siemens.com/answers](http://siemens.com/answers)**