

IEEE 802.1AE Yang Statistics

Don Fedyk LabN Consulting L.L.C

Checking the Yang Model Statistics

- Complete Model follows
 - Controlled Port Stats = Combined (Generation + Verification Stats) (see attached for counters).
 - Common Port = Combined (Unprotected + Unencrypted)
 - Uncontrolled port = Common port (Minus any error counters)
- IETF Interface (augmented by MACsec) = Combined (Common port + Controlled port + any other traffic from other components if this interface has other components).
- Really have two counters that account for all Traffic (Controlled port and Common port) to/from the LAN.
- Logical interfaces for EDE I don't think that interface needs any counters – they would just be the sum of these two set of stats.
- This would mean interface counters on the S-Component Provider network port (the real interface) are sufficient in the EDE case. The internal interface might be a type of sub-interface (I've been reviewing sub interfaces in the IETF Netmod group.) Other interfaces would still use the regular Interface.

Yang statistics

Uncontrolled Port
(no errors)

Generation

Verification

Common Port

Controlled Port

Interface

Where are these
counters in the YANG Model ?
See next pages.

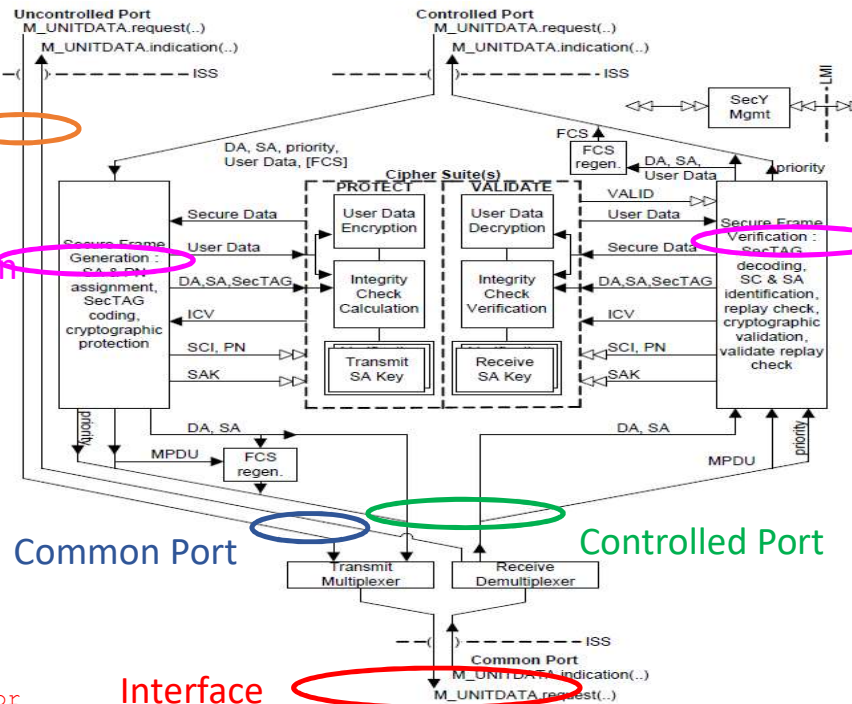


Figure 10-2—SecY architecture and operation

```

if:type = 'ianaift:ethernetCsmacd' or
if:type = 'ianaift:ilan' or
if:type = 'ianaift:macSecControlledIF' or
if:type = 'ianaift:ptm' or
if:type = 'ianaift:bridge'
    
```

802.1ae Yang Tree

```
module: ieee802-dot1ae
augment /if:interfaces/if:interface:
+--rw secy
+--rw Controlled-port-number? dot1x-types:paef-if-index
+--rw verification
|   +--ro max-receive-channels? uint8
|   +--ro max-receive-keys?    uint8
|   +--rw validate-frames?    enumeration
|   +--rw replay-protect?     boolean
|   +--rw replay-window?      uint32
|   +--ro in-pkts-untagged?    yang:counter64
|   +--ro in-pkts-no-tag?     yang:counter64
|   +--ro in-pkts-bad-tag?    yang:counter64
|   +--ro in-pkts-no-sa?      yang:counter64
|   +--ro in-pkts-no-sa-error? yang:counter64
|   +--ro in-pkts-overrun?    yang:counter64
|   +--ro in-octets-validated? yang:counter64
|   +--ro in-octets-decrypted? yang:counter64
+--ro receive-sc* [sci]
|   +--ro sci                  dotlaetypes:sec-sci-type
|   +--ro created-time?       yang:date-and-time
|   +--ro started-time?       yang:date-and-time
|   +--ro stopped-time?       yang:date-and-time
|   +--ro receiving?          boolean
|   +--ro in-pkts-ok?          yang:counter64
|   +--ro in-pkts-unchecked?   yang:counter64
|   +--ro in-pkts-delayed?     yang:counter64
|   +--ro in-pkts-late?        yang:counter64
|   +--ro in-pkts-invalid?     yang:counter64
|   +--ro in-pkts-not-valid?   yang:counter64
+--ro receive-sa* [rxa]
|   +--ro in-use?              boolean
|   +--ro ssci?                uint32
|   +--ro next-pn?             dotlaetypes:sec-pn-type
|   +--ro created-time?       yang:date-and-time
|   +--ro started-time?       yang:date-and-time
|   +--ro stopped-time?       yang:date-and-time
|   +--ro rxa                  dotlaetypes:sec-an-type
|   +--ro lowest-pn?           dotlaetypes:sec-pn-type
|   +--ro enable-receive?     boolean
|   +--ro updt-next-pn?        dotlaetypes:sec-pn-type
|   +--ro updt-lowest-pn?      dotlaetypes:sec-pn-type
|   +--ro key-identifier?      dotlaetypes:sec-key-identifier-
```

type

```
+--rw generation
|   +--ro sci-base?           String
|   +--rw max-transmit-channels? uint16
|   +--rw max-transmit-keys?    uint16
|   +--rw protect-frames?      boolean
|   +--rw always-include-sci?   boolean
|   +--rw use-es?               boolean
|   +--rw use-scb?              boolean
|   +--ro including-sci?        boolean
|   +--ro out-pkts-untagged?    yang:counter64
|   +--ro out-pkts-too-long?    yang:counter64
|   +--ro out-octets-protected? yang:counter64
|   +--ro out-octets-encrypted? yang:counter64
+--rw user-priority-0
|   | +--rw traffic-class?      uint8
+--rw user-priority-1
|   | +--rw traffic-class?      uint8
+--rw user-priority-2
|   | +--rw traffic-class?      uint8
+--rw user-priority-3
|   | +--rw traffic-class?      uint8
+--rw user-priority-4
|   | +--rw traffic-class?      uint8
+--rw user-priority-5
|   | +--rw traffic-class?      uint8
+--rw user-priority-6
|   | +--rw traffic-class?      uint8
+--rw user-priority-7
|   | +--rw traffic-class?      uint8
```

802.1ae Yang Tree

```
| +--rw user-pcp-0
|   |--rw access-priority? uint8
|   +--rw user-pcp-1
|     |--rw access-priority? uint8
|     +--rw user-pcp-2
|       |--rw access-priority? uint8
|       +--rw user-pcp-3
|         |--rw access-priority? uint8
|         +--rw user-pcp-4
|           |--rw access-priority? uint8
|           +--rw user-pcp-5
|             |--rw access-priority? uint8
|             +--rw user-pcp-6
|               |--rw access-priority? uint8
|               +--rw user-pcp-7
|                 |--rw access-priority? uint8
|                 +--rw user-pcp-8
|                   |--rw access-priority? uint8
|                   +--rw user-pcp-9
|                     |--rw access-priority? uint8
|                     +--rw user-pcp-10
|                       |--rw access-priority? uint8
|                       +--rw user-pcp-11
|                         |--rw access-priority? uint8
|                         +--rw user-pcp-12
|                           |--rw access-priority? uint8
|                           +--rw user-pcp-13
|                             |--rw access-priority? uint8
|                             +--rw user-pcp-14
|                               |--rw access-priority? uint8
|                               +--rw user-pcp-15
|                                 |--rw access-priority? uint8
```

```
| +--ro transmit-sci* [sci]
|   +--ro sci dotlaetypes:sec-sci-type
|   +--ro created-time? yang:date-and-time
|   +--ro started-time? yang:date-and-time
|   +--ro stopped-time? yang:date-and-time
|   +--ro transmitting? boolean
|   +--ro encoding-sa? dotlaetypes:sec-an-type
|   +--ro out-pkts-protected? yang:counter64
|   +--ro out-pkts-encrypted? yang:counter64
|   +--ro transmit-sa* [txa]
|     +--ro in-use? boolean
|     +--ro ssci? uint32
|     +--ro next-pn? dotlaetypes:sec-pn-type
|     +--ro created-time? yang:date-and-time
|     +--ro started-time? yang:date-and-time
|     +--ro stopped-time? yang:date-and-time
|     +--ro txa dotlaetypes:sec-an-type
|     +--ro confidentiality? boolean
|     +--ro key-identifier? dotlaetypes:sec-key-identifier-
type
+--rw current-cipher-suite
+--rw cipher-suite-identifier? dotlaetypes:sec-eui64-type
+--rw data-key* [keys]
|   +--rw keys uint32
|   +--ro key-identifier? dotlaetypes:sec-key-identifier-type
|   +--ro transmits? boolean
|   +--ro receives? boolean
+--rw controlled-interface
|   +--ro provided-interface? dotlx-types:paef-if-index
|   +--ro mac-enabled? boolean
|   +--ro mac-operational? boolean
|   +--ro oper-point-to-point-mac? boolean
|   +--ro admin-point-to-point-mac? enumeration
|   +--ro controlled-port-enabled? boolean
|   +--rw in-octets? yang:counter64
|   +--rw in-unicast-pkts? yang:counter64
|   +--rw in-broadcast-pkts? yang:counter64
|   +--rw in-multicast-pkts? yang:counter64
|   +--rw in-discards? yang:counter32
|   +--rw in-errors? yang:counter32
|   +--rw out-octets? yang:counter64
|   +--rw out-unicast-pkts? yang:counter64
|   +--rw out-broadcast-pkts? yang:counter64
|   +--rw out-multicast-pkts? yang:counter64
|   +--rw out-discards? yang:counter32
|   +--rw out-errors? yang:counter32
```

802.1ae Yang Tree

```
+--rw uncontrolled-interface
|   +--ro provided-interface?      dot1x-types:pae-if-index
|   +--ro mac-enabled?             boolean
|   +--ro mac-operational?         boolean
|   +--ro oper-point-to-point-mac? boolean
|   +--ro admin-point-to-point-mac? enumeration
|   +--rw in-octets?               yang:counter64
|   +--rw in-unicast-pkts?         yang:counter64
|   +--rw in-broadcast-pkts?      yang:counter64
|   +--rw in-multicast-pkts?     yang:counter64
|   +--rw in-discards?            yang:counter32
|   +--rw in-errors?              yang:counter32
|   +--rw out-octets?              yang:counter64
|   +--rw out-unicast-pkts?       yang:counter64
|   +--rw out-broadcast-pkts?     yang:counter64
|   +--rw out-multicast-pkts?    yang:counter64
|   +--rw out-discards?           yang:counter32
|   +--rw out-errors?             yang:counter32
+--rw common-port
|   +--ro common-port?            dot1x-types:pae-if-index
|   +--rw in-octets?              yang:counter64
|   +--rw in-unicast-pkts?        yang:counter64
|   +--rw in-broadcast-pkts?     yang:counter64
|   +--rw in-multicast-pkts?    yang:counter64
|   +--rw in-discards?           yang:counter32
|   +--rw in-errors?              yang:counter32
|   +--rw out-octets?              yang:counter64
|   +--rw out-unicast-pkts?       yang:counter64
|   +--rw out-broadcast-pkts?    yang:counter64
|   +--rw out-multicast-pkts?    yang:counter64
|   +--rw out-discards?           yang:counter32
|   +--rw out-errors?             yang:counter32
+--rw cipher-suite-control* [implemented-cipher-suite]
|   +--rw implemented-cipher-suite dotlaetypes:sec-eui64-type
|   +--rw enable-use?              boolean
|   +--rw require-confidentiality? boolean
```

```
augment /sys:system:
+--rw secy-system
|   +--rw cipher-suites* [cipher-suite]
|   +--rw cipher-suite
|   +--ro name?                    string
|   +--ro integrity-protection?   boolean
|   +--ro confidentiality-protection? boolean
|   +--ro offset-confidentiality? boolean
|   +--ro changes-data-length?   boolean
|   +--ro icv-length?             uint16
```

IETF Interfaces YANG Tree (Stats)

```
module: ietf-interfaces
  +---rw interfaces
  |   +---rw interface* [name]
  |   |   +---rw name                string
  |   |   +---rw description?        string
  |   |   +---rw type                 identityref
  |   |   +---rw enabled?             boolean
  |   |   +---rw link-up-down-trap-enable? enumeration {if-mib}?
  |   |   +---ro admin-status         enumeration {if-mib}?
  |   |   +---ro oper-status          enumeration
  |   |   +---ro last-change?         yang:date-and-time
  |   |   +---ro if-index             int32 {if-mib}?
  |   |   +---ro phys-address?        yang:phys-address
  |   |   +---ro higher-layer-if*     interface-ref
  |   |   +---ro lower-layer-if*     interface-ref
  |   |   +---ro speed?              yang:gauge64
  |
  |   +---ro statistics
  |   |   +---ro discontinuity-time   yang:date-and-time
  |   |   +---ro in-octets?           yang:counter64
  |   |   +---ro in-unicast-pkts?    yang:counter64
  |   |   +---ro in-broadcast-pkts?  yang:counter64
  |   |   +---ro in-multicast-pkts?  yang:counter64
  |   |   +---ro in-discards?        yang:counter32
  |   |   +---ro in-errors?          yang:counter32
  |   |   +---ro in-unknown-protos?  yang:counter32
  |   |   +---ro out-octets?         yang:counter64
  |   |   +---ro out-unicast-pkts?   yang:counter64
  |   |   +---ro out-broadcast-pkts? yang:counter64
  |   |   +---ro out-multicast-pkts? yang:counter64
  |   |   +---ro out-discards?       yang:counter32
  |   |   +---ro out-errors?         yang:counter32
```