

Project	IEEE 802.16 Broadband Wireless Access Working Group < http://ieee802.org/16 >	
Title	16g-05/008r2 Figure 17c Clean-up	
Date Submitted	2006-01-10	
Source(s)	Lei Wang Cygnus Communications Inc.	Voice: 760-448-4168 Fax: 760-448-1989 lwang@cygnuscom.com
Re:	This is a part of the 16g working document restructure/clean-up editing work.	
Abstract	As discussed in 802.16g 2005-November meeting, the 16g working document 16g-05/008r2 needs to be restructured and cleaned-up. This contribution attempts to clean up Figure 17c.	
Purpose	The purpose of this contribution is to clean up Figure 17c.	
Notice	This document has been prepared to assist IEEE 802.16. It is offered as a basis for discussion and is not binding on the contributing individual(s) or organization(s). The material in this document is subject to change in form and content after further study. The contributor(s) reserve(s) the right to add, amend or withdraw material contained herein.	
Release	The contributor grants a free, irrevocable license to the IEEE to incorporate material contained in this contribution, and any modifications thereof, in the creation of an IEEE Standards publication; to copyright in the IEEE's name any IEEE Standards publication even though it may include portions of this contribution; and at the IEEE's sole discretion to permit others to reproduce in whole or in part the resulting IEEE Standards publication. The contributor also acknowledges and accepts that this contribution may be made public by IEEE 802.16.	
Patent Policy and Procedures	The contributor is familiar with the IEEE 802.16 Patent Policy and Procedures < http://ieee802.org/16/ipr/patents/policy.html >, including the statement "IEEE standards may include the known use of patent(s), including patent applications, provided the IEEE receives assurance from the patent holder or applicant with respect to patents essential for compliance with both mandatory and optional portions of the standard." Early disclosure to the Working Group of patent information that might be relevant to the standard is essential to reduce the possibility for delays in the development process and increase the likelihood that the draft publication will be approved for publication. Please notify the Chair < mailto:chair@wirelessman.org > as early as possible, in written or electronic form, if patented technology (or technology under patent application) might be incorporated into a draft standard being developed within the IEEE 802.16 Working Group. The Chair will disclose this notification via the IEEE 802.16 web site < http://ieee802.org/16/ipr/patents/notices >.	

16g-05/008r2 Figure 17c Clean-up

1. Background

As discussed in 802.16g 2005-November meeting, the 16g working document 16g-05/008r2 needs to be restructured and cleaned-up. This contribution conducts the restructure/clean-up work for the section 5.

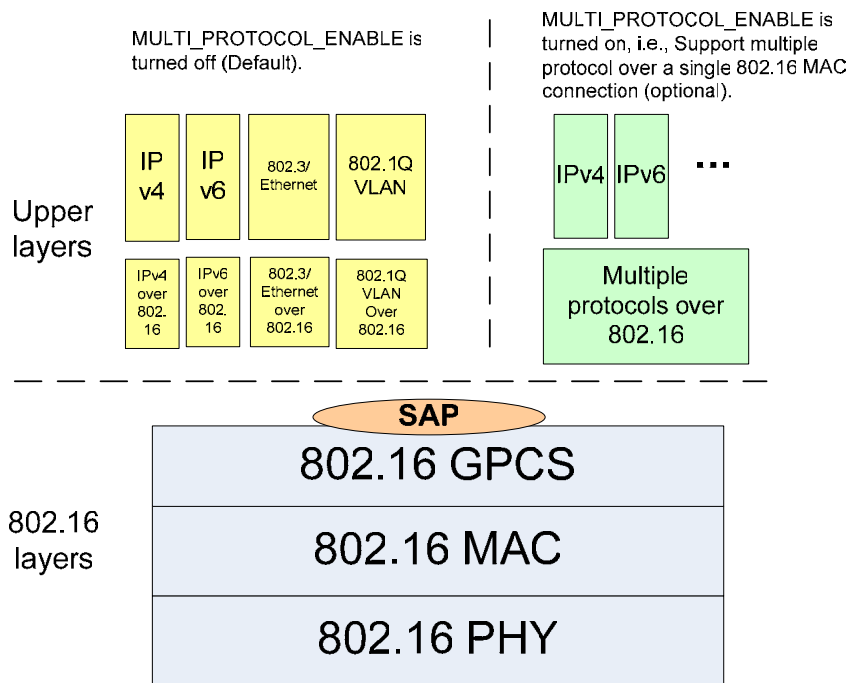
2. References

[16g-05/008r2] : IEEE 802.16g-05/008r2

3. Suggested Changes

In 802.16g-05/008r2, we propose the following changes (new text in blue):

1. page 3 replace Figure 17c by the following:



Protocol structure with the proposed Generic Packet Convergence Sublayer (GPCS)

Figure 17c: GPCS Layering Model

