
Project	IEEE 802.16 Broadband Wireless Access Working Group < http://ieee802.org/16 >	
Title	Fix Errors on Service Flow Management diagrams	
Date Submitted	2006-03-01	
Source(s)	Mary Chion Jeff Qian Cancan Huang Sean Cai Ling Xu ZTE	mchion@ztesandiego.com
Re:	This is in response to call for comment on IEEE 802.16g/D1	
Abstract	Fix errors on Service Flow Management diagrams.	
Purpose	Adoption	
Notice	This document has been prepared to assist IEEE 802.16. It is offered as a basis for discussion and is not binding on the contributing individual(s) or organization(s). The material in this document is subject to change in form and content after further study. The contributor(s) reserve(s) the right to add, amend or withdraw material contained herein.	
Release	The contributor grants a free, irrevocable license to the IEEE to incorporate text contained in this contribution, and any modifications thereof, in the creation of an IEEE Standards publication; to copyright in the IEEE's name any IEEE Standards publication even though it may include portions of this contribution; and at the IEEE's sole discretion to permit others to reproduce in whole or in part the resulting IEEE Standards publication. The contributor also acknowledges and accepts that this contribution may be made public by IEEE 802.16.	

Patent
Policy and
Procedures

The contributor is familiar with the IEEE 802.16 Patent Policy and Procedures (Version 1.0) <<http://ieee802.org/16/ipr/patents/policy.html>>, including the statement “IEEE standards may include the known use of patent(s), including patent applications, if there is technical justification in the opinion of the standards-developing committee and provided the IEEE receives assurance from the patent holder that it will license applicants under reasonable terms and conditions for the purpose of implementing the standard.”

Early disclosure to the Working Group of patent information that might be relevant to the standard is essential to reduce the possibility for delays in the development process and increase the likelihood that the draft publication will be approved for publication. Please notify the Chair <<mailto:r.b.marks@ieee.org>> as early as possible, in written or electronic form, of any patents (granted or under application) that may cover technology that is under consideration by or has been approved by IEEE 802.16. The Chair will disclose this notification via the IEEE 802.16 web site <<http://ieee802.org/16/ipr/patents/notices>>.

Fix Errors on Service Flow Management Diagrams

Mary Chion, Jeff Qian, Cancan Huang, Sean Cai, Ling Xu

1. Introduction

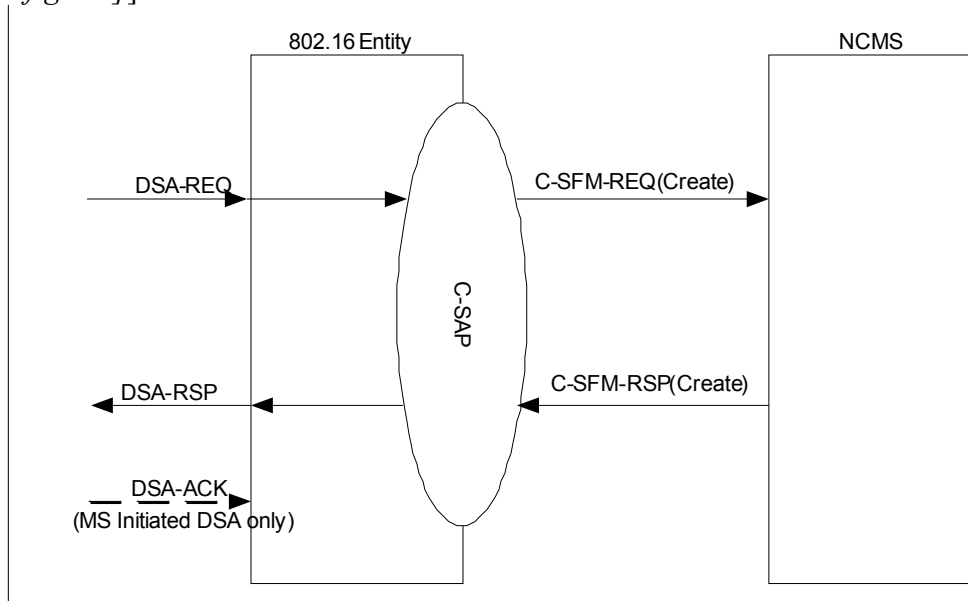
The primitive diagrams for service flow management show incorrect MAC layer protocols for DSA/DSC/DSD. For DSA/DSC, DSA-ACK and DSC-ACK messages are not optional, but DSX-RVD message is. For DSD, there is no DSD-ACK message.

2. Proposed Solution

This contribution corrects the primitive diagrams according to IEEE P802.16-2004.

3. Detail Text Changes

[Modify section 14.5.6.4, replace Figure 484,485,486,487,488,489 with the following figures]



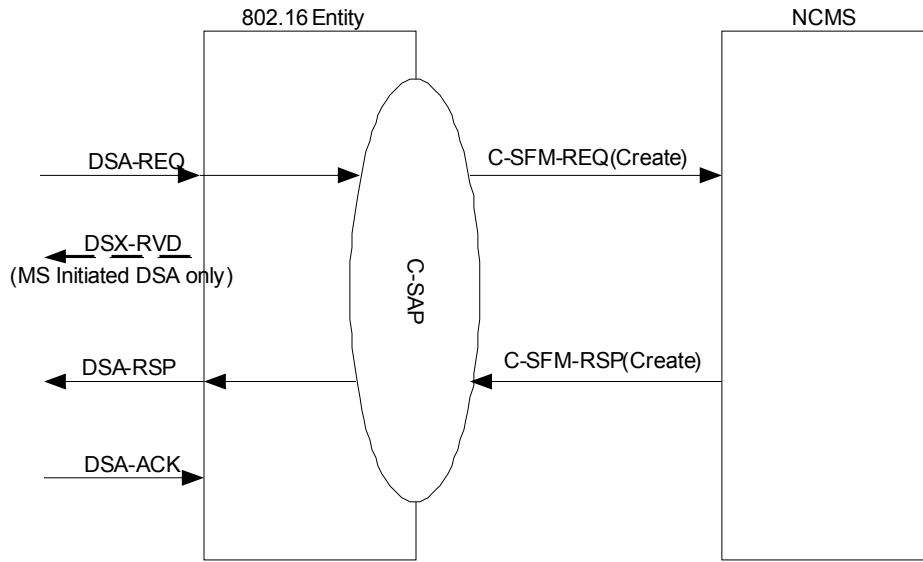
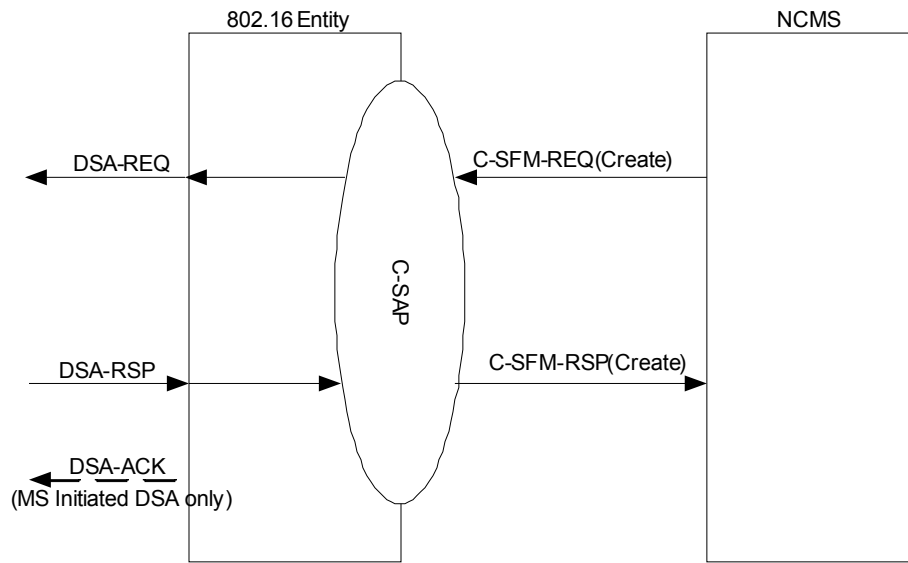


Figure 484 C-SFM-REQ(Create) and C-SFM-RSP(Create) primitives flow, 802.16 Entity initiated



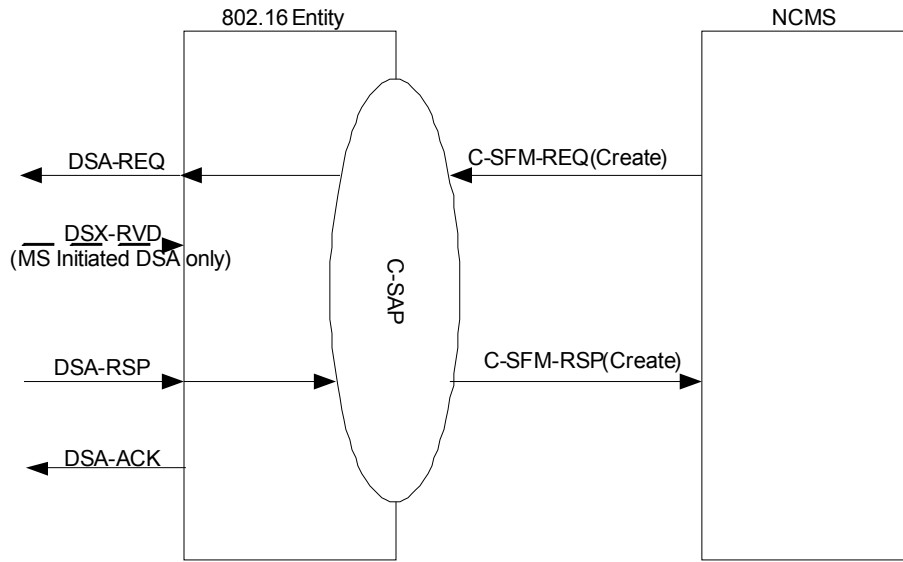
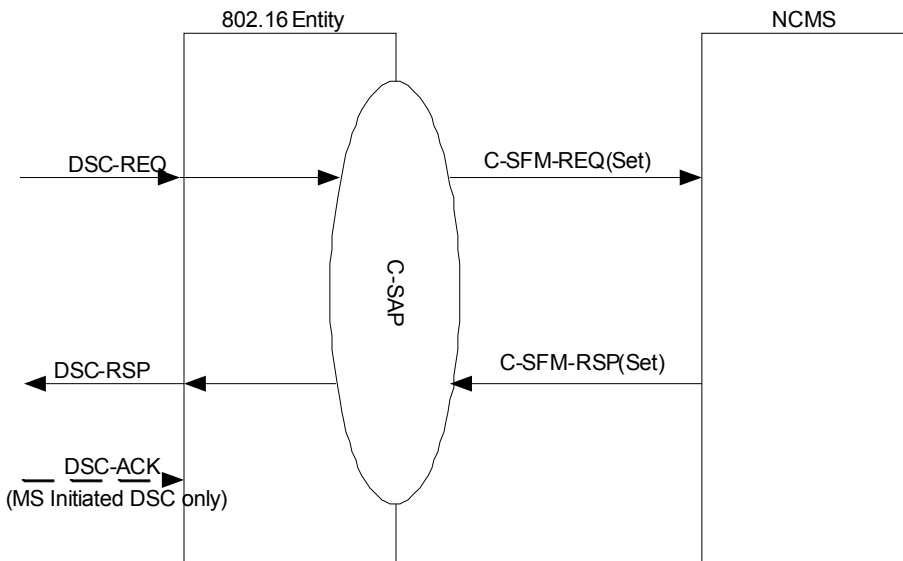


Figure 485 C-SFM-REQ(Create) and C-SFM-RSP(Create) primitives flow, NCMS initiated



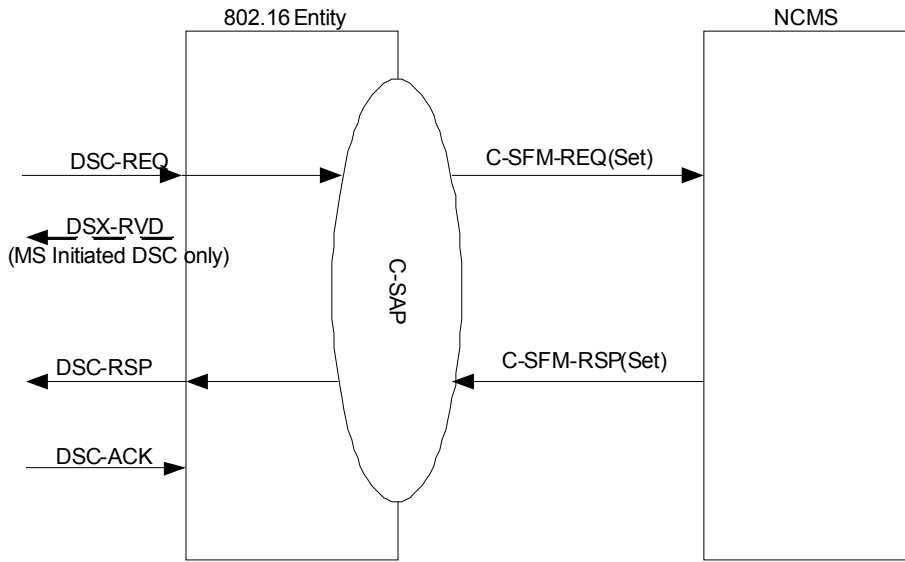
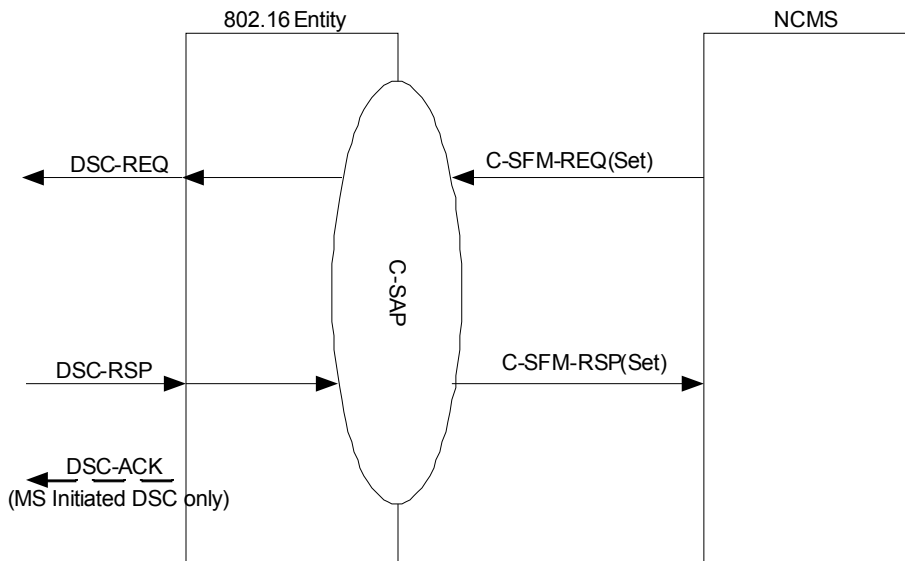


Figure 486 C-SFM-REQ(Set) and C-SFM-RSP(Set) primitives flow, 802.16 Entity initiated



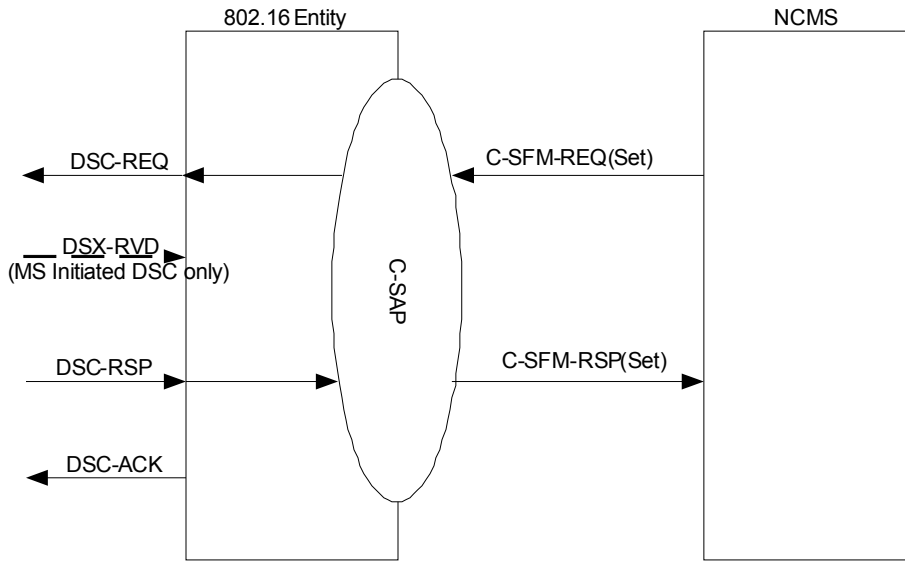
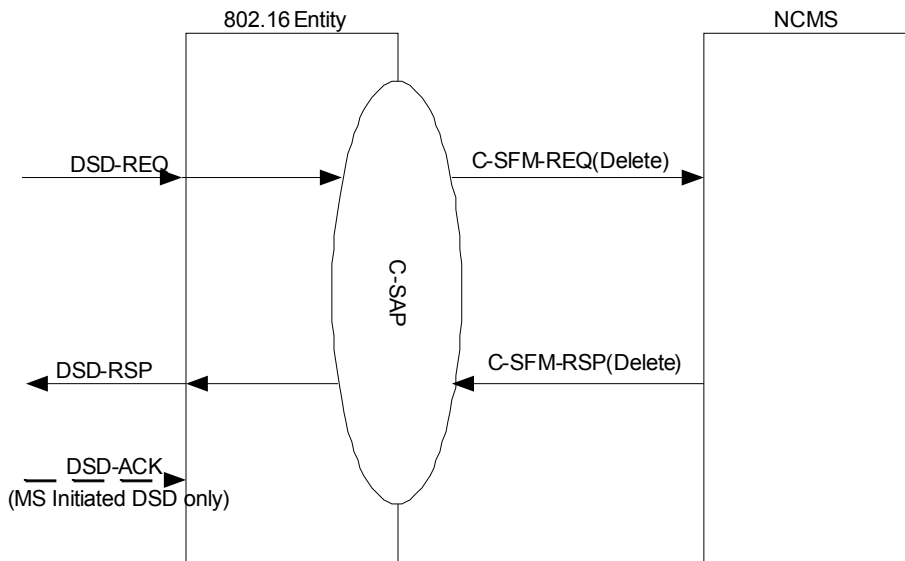


Figure 487 C-SFM-REQ(Set) and C-SFM-RSP(Set) primitives flow, NCMS initiated



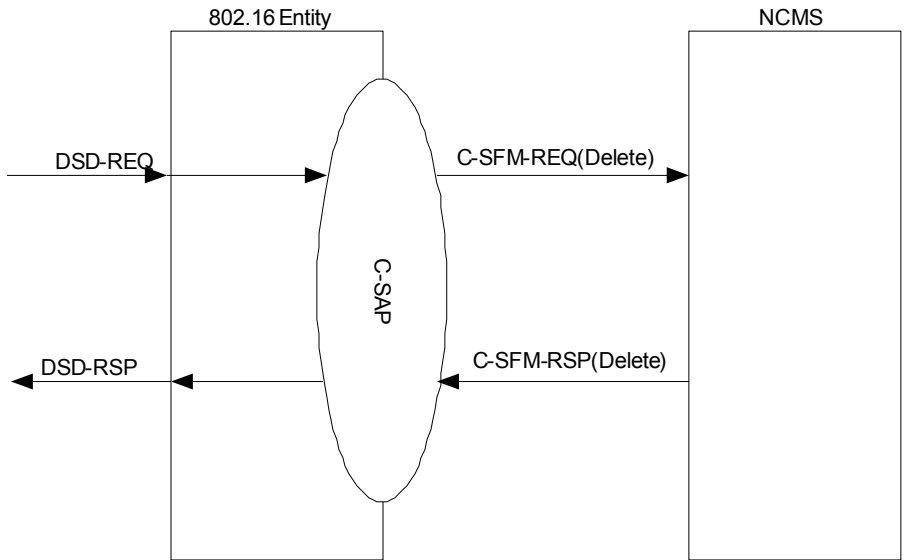
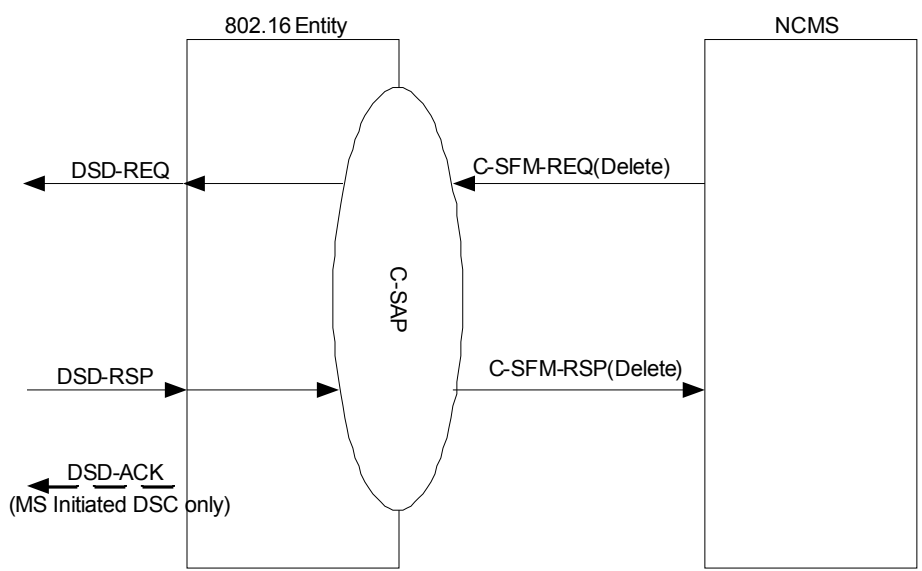


Figure 488 C-SFM-REQ(Delete) and C-SFM-RSP(Delete) primitives flow, 802.16 Entity initiated



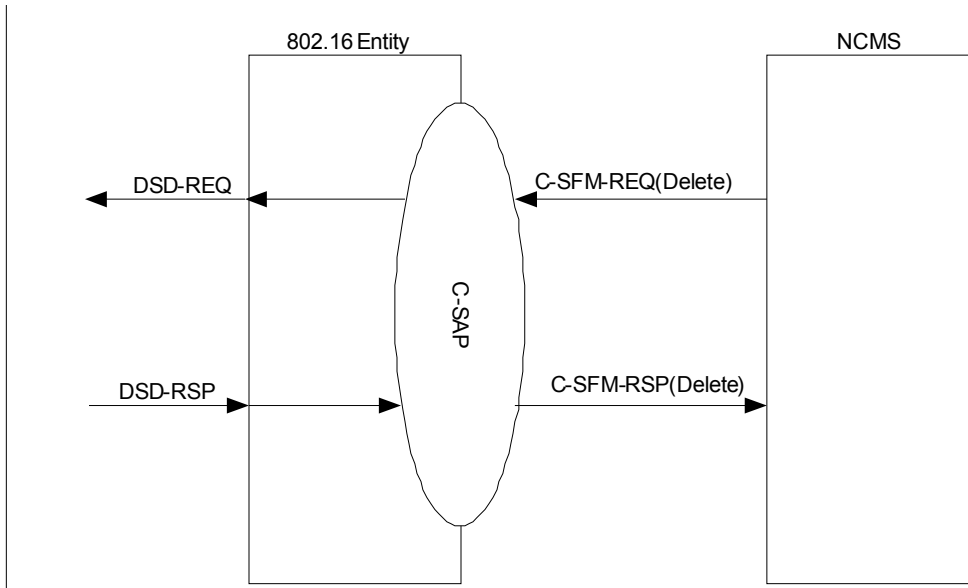


Figure 489 C-SFM-REQ(Delete) and C-SFM-RSP(Delete) primitives flow, NCMS initiated