
Project	IEEE 802.16 Broadband Wireless Access Working Group < http://ieee802.org/16 >
Title	Add New Primitive on MS Handover Management diagrams
Date Submitted	2006-03-01
Source(s)	<p style="text-align: right;">jqian@ztesandiego.com</p> <p>Jeff Qian Cancan Huang Mary Chion Sean Cai Xu Ling ZTE</p>
Re:	Contribution on comments to P802.16g-D1
Abstract	In this contribution, we propose to add C-HO-NOTFY(HO-CMPLT) primitive in Figure 499 and Figure 500
Purpose	Adoption
Notice	This document has been prepared to assist IEEE 802.16. It is offered as a basis for discussion and is not binding on the contributing individual(s) or organization(s). The material in this document is subject to change in form and content after further study. The contributor(s) reserve(s) the right to add, amend or withdraw material contained herein.
Release	The contributor grants a free, irrevocable license to the IEEE to incorporate text contained in this contribution, and any modifications thereof, in the creation of an IEEE Standards publication; to copyright in the IEEE's name any IEEE Standards publication even though it may include portions of this contribution; and at the IEEE's sole discretion to permit others to reproduce in whole or in part the resulting IEEE Standards publication. The contributor also acknowledges and accepts that this contribution may be made public by IEEE 802.16.

**Patent
Policy and
Procedures**

The contributor is familiar with the IEEE 802.16 Patent Policy and Procedures (Version 1.0) <<http://ieee802.org/16/ipr/patents/policy.html>>, including the statement “IEEE standards may include the known use of patent(s), including patent applications, if there is technical justification in the opinion of the standards-developing committee and provided the IEEE receives assurance from the patent holder that it will license applicants under reasonable terms and conditions for the purpose of implementing the standard.”

Early disclosure to the Working Group of patent information that might be relevant to the standard is essential to reduce the possibility for delays in the development process and increase the likelihood that the draft publication will be approved for publication. Please notify the Chair <<mailto:r.b.marks@ieee.org>> as early as possible, in written or electronic form, of any patents (granted or under application) that may cover technology that is under consideration by or has been approved by IEEE 802.16. The Chair will disclose this notification via the IEEE 802.16 web site <<http://ieee802.org/16/ipr/patents/notices>>.

Add New Message Primitive on MS Handover Management diagrams

Jeff Qian, Cancan Huang, Mary Chion, Sean Cai, Xu Ling

1. Introduction

In Section 14.2.9.7 (Handover Control Protocol Procedures), Figure 499 and Figure 500 have missed primitive C-HO-NOTFY(HO-CMPLT) from NCMS to BS. This primitive should be used to release resources from serving BS after handover procedure has completed.

2. Proposed Solution

This contribution proposes to add C-HO-NOTFY (HO-CMPLT) primitive in Figure 499 and Figure 500 in section 14.2.9.7. It also modified the corresponding text in section 14.2.9.7.3.4. Subsection 14.2.9.7.3.4.3.1, 14.2.9.7.3.4.3.2, 14.2.9.7.3.4.4.1 and 14.2.9.7.3.4.4.2 have been added accordingly.

2. Detail Text Changes

[Modify section 14.2.9.7, replace Figure 499 and 500 with the following figures]

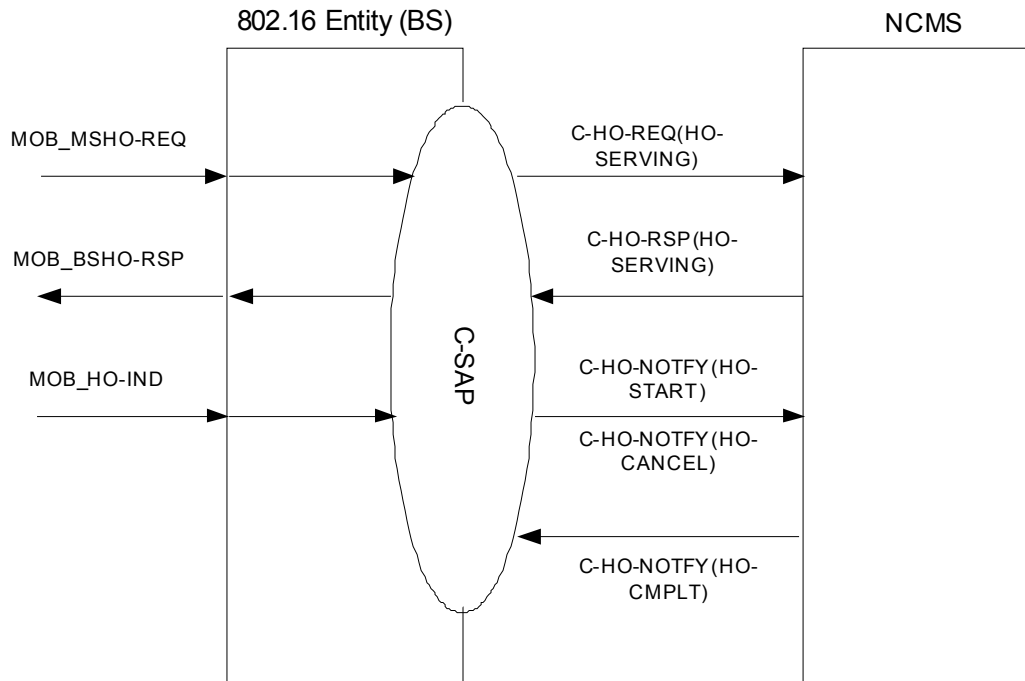


Figure 499 ----HO primitives flow between Serving BS and NCMS, BS initiated

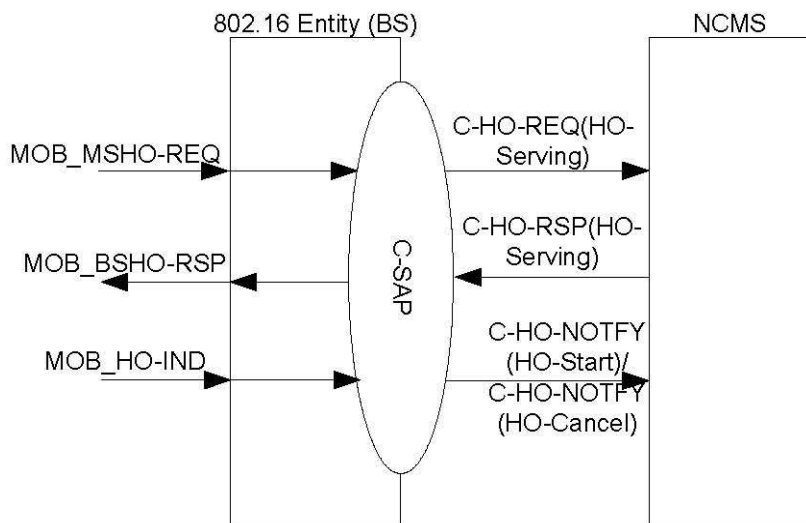


Figure 499—HO primitives flow between Serving BS and NCMS, BS initiated

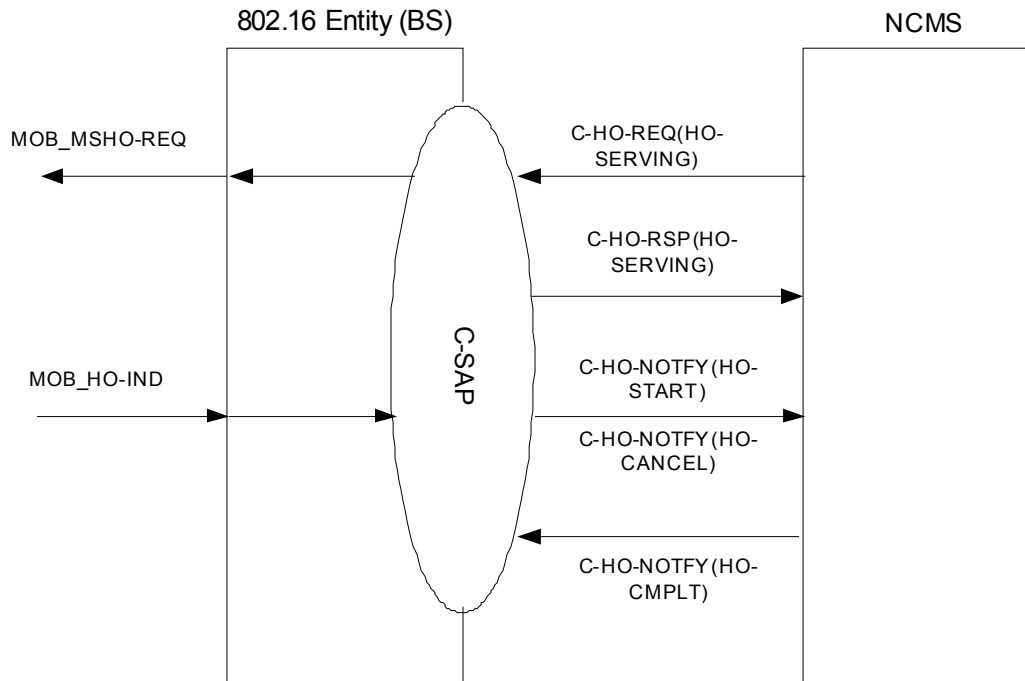


Figure 500 ----HO primitives flow between Serving BS and NCMS, NCMS initiated

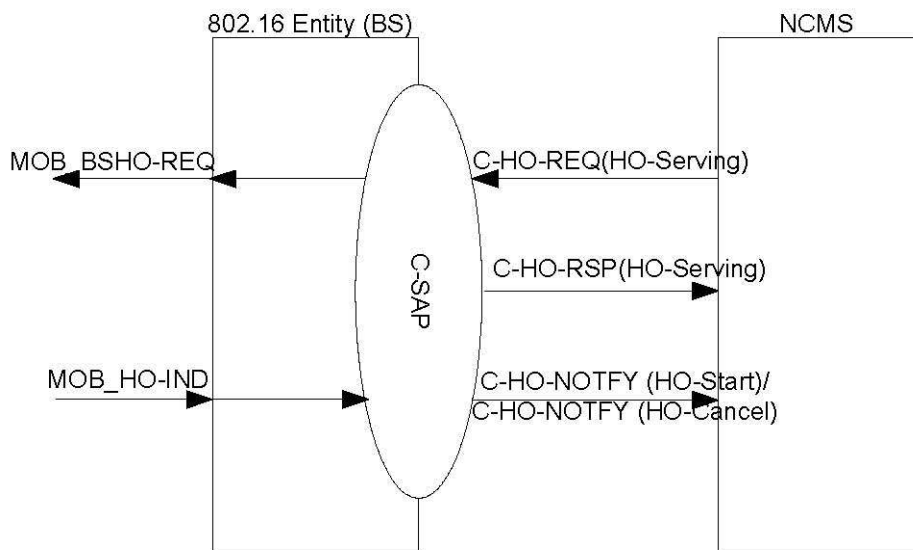


Figure 500—HO primitives flow between Serving BS and NCMS, NCMS initiated

14.2.9.7.3.4 C-HO-NOTFY(Event_Type==HO-CMPLT)

14.2.9.7.3.4.1 Function

This primitive is used by ~~both Target-BS and to-notify-NCMS~~ [to notify](#) the handover process is completed.

14.2.9.7.3.4.2 Semantics of the service primitive

It delivers the following parameters.

C-HO-NOTFY

```
(
  Message_id,
  Event_Type(HO-CMPLT),
  Object_id(NCMS or 802.16 BS Entity),
  Attribute_list:
    Target BS ID
    MS ID
    Result Flag
    List of Last received SDU SNs
)
```

Target BS ID

Base station unique identifier of the target BS

MS ID

48-bit unique identifier used by MS

Result Flag

List of Last received SDU SNs

```
(
  SFID
  Last received SDU SN
)
```

The sequence number of the last MAC SDU which the MS received before handover to the target BS. The connection associated with the SDU SN is identified by SFID when SDU SN feedback is enabled.

14.2.9.7.3.4.3 When generated

[14.2.9.7.3.4.3.1 802.16 BS Entity to NCMS](#)

This primitive is generated by target 802.16 BS Entity when the MS completes network re-entry at the target BS. If SDU SN feedback is enabled, the target 802.16 BS Entity shall generate this primitive after it has received SN report header.

[14.2.9.7.3.4.3.2 NCMS to 802.16 BS Entity](#)

[This primitive is generated by NCMS after finishing handover process in NCMS side. It is used to inform serving BS to release its corresponding resource.](#)

| **14.2.9.7.3.4.4 Effect of receipt**

| **14.2.9.7.3.4.4.1 802.16 BS Entity to NCMS**

| NCMS completes handover procedure.

| **14.2.9.7.3.4.4.2 NCMS to 802.16 BS Entity**

| BS releases its resource for MS accordingly.