
Project	IEEE 802.16 Broadband Wireless Access Working Group < http://ieee802.org/16 >
---------	---

Title	Correcting Flow Direction in Figure 482
-------	--

Date	2006-04-25
Submitted	

Source	Ronald Mao	Voice:	858-882-0335
(s)	Huawei	Fax:	
			mailto:rmao@huawei.com

Re:	P80216g_D2.pdf
-----	----------------

Abstract	This contribution corrects the direction of the last two flows in Figure 482. The Context Transfer request is originated from the target BS, not the source BS.
----------	---

Purpose	See abstract.
---------	---------------

Notice	This document has been prepared to assist IEEE 802.16. It is offered as a basis for discussion and is not binding on the contributing individual(s) or organization(s). The material in this document is subject to change in form and content after further study. The contributor(s) reserve(s) the right to add, amend or withdraw material contained herein.
--------	--

Release	The contributor grants a free, irrevocable license to the IEEE to incorporate material contained in this contribution, and any modifications thereof, in the creation of an IEEE Standards publication; to copyright in the IEEE's name any IEEE Standards publication even though it may include portions of this contribution; and at the IEEE's sole discretion to permit others to reproduce in whole or in part the resulting IEEE Standards publication. The contributor also acknowledges and accepts that this contribution may be made public by IEEE 802.16.
---------	--

Patent Policy and Procedures
Policy and Procedures
The contributor is familiar with the IEEE 802.16 Patent Policy and Procedures
<<http://ieee802.org/16/ipr/patents/policy.html>>, including the statement "IEEE
standards may include the known use of patent(s), including patent applications,
provided the IEEE receives assurance from the patent holder or applicant with respect
to patents essential for compliance with both mandatory and optional portions of the
standard." Early disclosure to the Working Group of patent information that might be
relevant to the standard is essential to reduce the possibility for delays in the
development process and increase the likelihood that the draft publication will be
approved for publication. Please notify the Chair <<mailto:chair@wirelessman.org>> as
early as possible, in written or electronic form, if patented technology (or technology
under patent application) might be incorporated into a draft standard being developed
within the IEEE 802.16 Working Group. The Chair will disclose this notification via
the IEEE 802.16 web site <<http://ieee802.org/16/ipr/patents/notices>>.

[Change Figure 482 as follows]

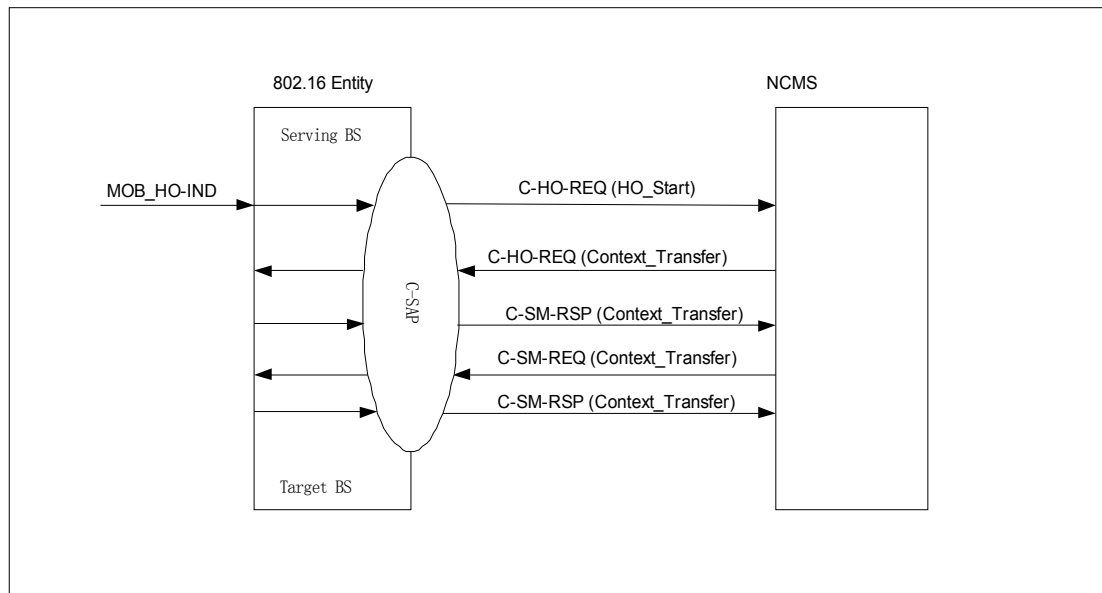
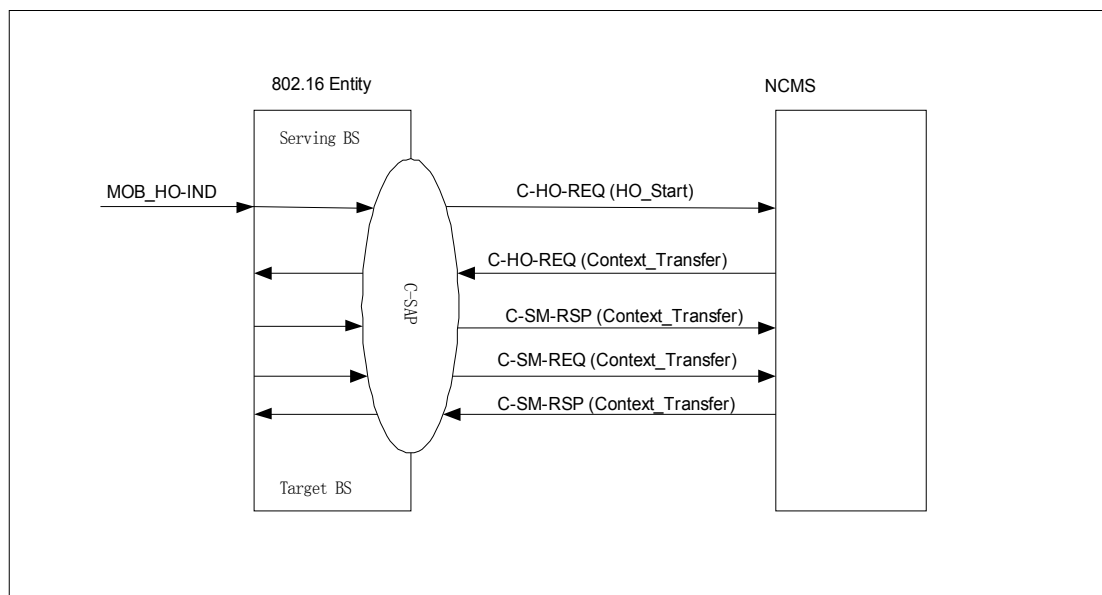


Figure 482—Context transfer primitives initiated by a target BS